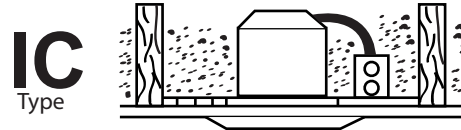


Fixtures are classified for insulated ceilings-type IC and type T-and for suspended ceilings-type S. To insure safe and reliable operations. Make sure the fixture corresponds to the carefully before beginning installation

Before attempting installation of any recessed lighting fixture check your local electrical code. This code sets the wiring standards for your locality and should be carefully studied before starting work



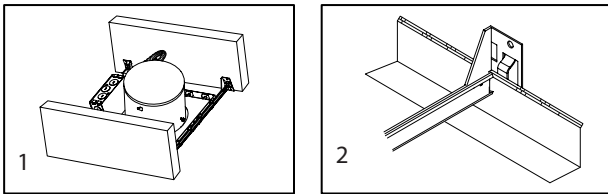
Insulated Ceiling
The insulated ceiling or I.C. approved recessed fixture is one that can be installed in direct contact with insulation

SLOPE NEW CONSTRUCTION INSTALLATION.

1. FASTENING FIXTURE TO CEILING

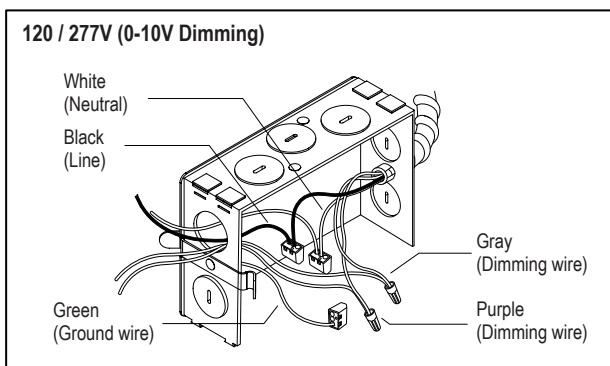
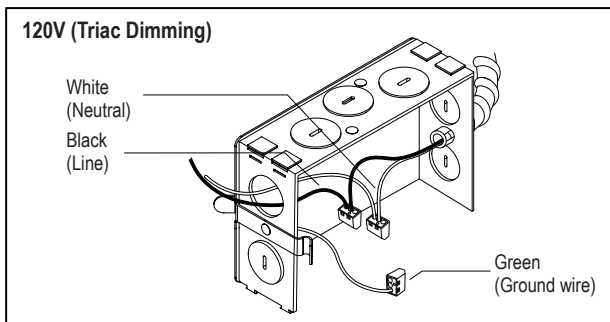
Joist-type ceiling-extend bar hangers to fit between joists. Position fixture temporarily by hammering "Nail" into joists. (Drawing 1), then secure permanently with nails. Hangers should be level with bottom of joists.

Suspended(T-bar) ceilings-extend bar hangers 1" past T-bars, then rest fixture on T-bars. Secure fixture to T-bars with wire (Drawing 2).



2. ELECTRICAL CONNECTION

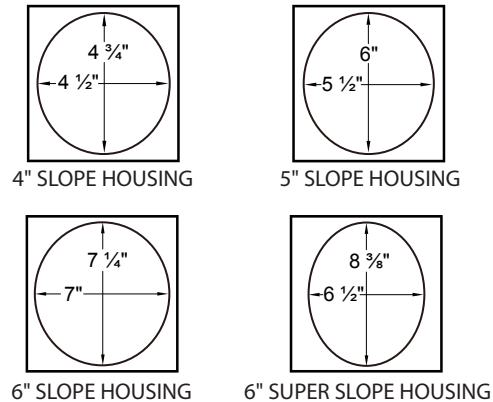
Open the Junction Box cover and connect the wires in the same color. Please refer to the details of wires shown below. Close J-Box cover after wiring.



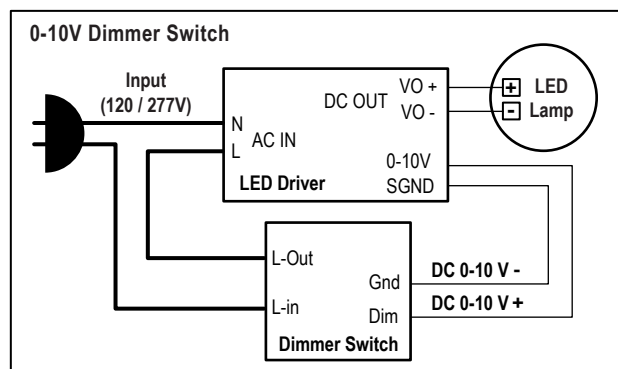
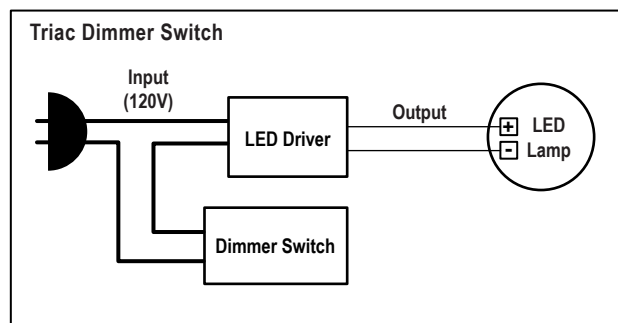
3. CUTTING A HOLE

Locate the center of proposed opening on your tile or ceiling material and mark it.

Rounds : Use a compass to draw a circle shown below diameter around the center point. Cut along this circular line



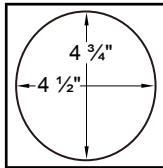
4. DIMMER SWITCH WIRING



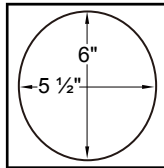
SLOPE REMODEL HOUSING INSTALLATION

1. CUTTING A HOLE

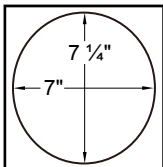
Cut out a hole according to the proper diameter in the existing ceiling. (as shown below)



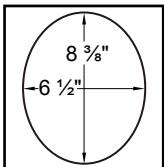
4" SLOPE HOUSING



5" SLOPE HOUSING



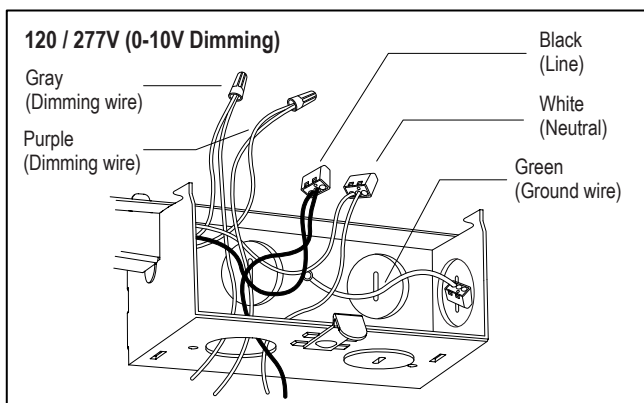
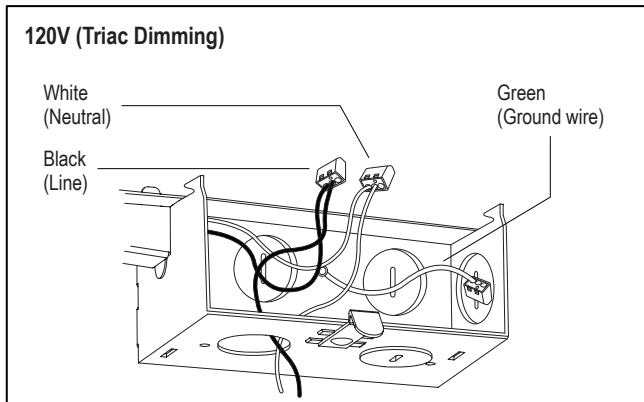
6" SLOPE HOUSING



6" SUPER SLOPE HOUSING

2. ELECTRICAL CONNECTION

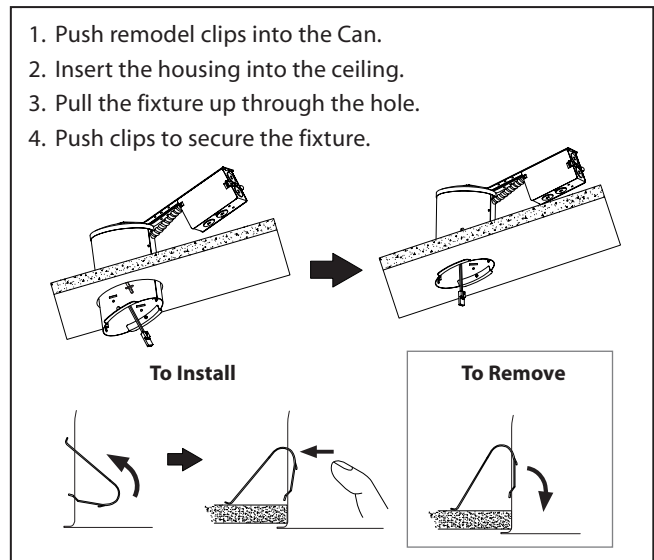
Open the Junction Box cover and connect the wires in the same color. Please refer to the details of wires shown below. Close J-Box cover after wiring.



3. FASTENING FIXTURE TO CEILING

Insert the housing in ceiling cutout as illustrated.

1. Push remodel clips into the Can.
2. Insert the housing into the ceiling.
3. Pull the fixture up through the hole.
4. Push clips to secure the fixture.



4. DIMMER SWITCH WIRING

