



WARNING:

Risk of electric shock. Before wiring to power supply, turn off electricity at the fuse or circuit breaker box.

CAUTION:

For your safety read and understand instructions completely before starting installation. Installation requires knowledge of luminaires electrical system. If not qualified, DO NOT attempt installation. Contact a qualified electrician if necessary.

NOTE: Before beginning the installation, carefully unpack and identify all parts.

Step 1

Remove the two (2) cap nuts from the fixture to release the cross bar. Fig. 1

Step 2

Mount the cross bar securely to the junction box by using (2) mounting screws through the appropriate slots (Fig. 2).

NOTE: The face of the cross bar marked "GND" must be facing toward the junction box.

Step 3

Make wire connections with wire connectors:

- Connect 120V Hot (**black**) supply wire with black fixture wire using a wire connector.
- Connect Neutral (**white**) supply wire with white fixture wire using a wire connector.
- Connect Ground supply wire with **copper (or green)** fixture wire.

For 0-10V fixtures

- Connect low voltage positive wire with **purple** fixture wire using a wire connector
- Connect low voltage negative wire with **pink** fixture wire using a wire connector

Step 4

Tuck the wires carefully inside the junction box.

Step 5

Pass the mounting screws through the two (2) openings on the back plate. Secure the fixture by using the two (2) cap nuts that were removed in Step 1.

Step 6

Install Koto module(s) into the housing by twisting the trim off of the housing. Use the twisting and lock mechanism to secure the Koto module before connecting the corresponding quick connectors. After properly performing all necessary connections, twist the trim back onto the housing to secure it. (Fig. 3)

Step 7

Turn power back on at fuse or circuit box.

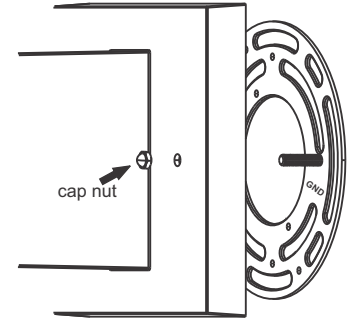


Fig. 1

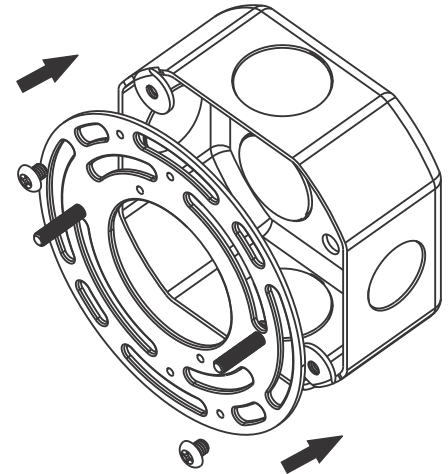


Fig. 2

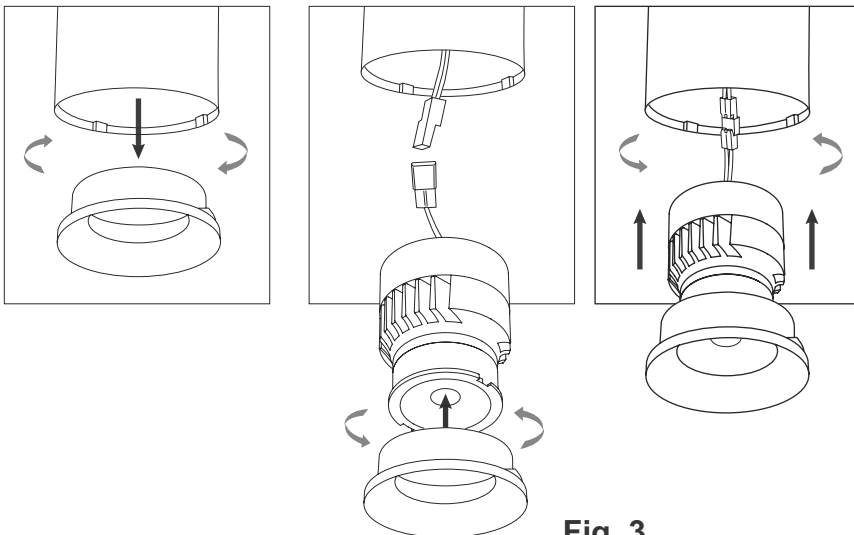


Fig. 3