



**WARNING:**

Risk of electric shock. Before wiring to power supply, turn off electricity at the fuse or circuit breaker box.

**CAUTION:**

For your safety read and understand instructions completely before starting installation. Installation requires knowledge of luminaires electrical system. If not qualified, DO NOT attempt installation. Contact a qualified electrician if necessary.

**NOTE:** Before beginning the installation, carefully unpack and identify all parts.

**Before Installation**

**Step 1.** Turn power OFF from the switch or breaker before starting installation.

**Step 2.** Locate a suitable position to place the fixture and cut a 2" diameter hole.

**Step 3.** Run electrical wire from the switch (power supply) through the mounting hole.

**Electrical Box Wiring**

**Step 1.** Open the junction box cover and remove the appropriate knockout. **Fig. 1**

**Step 2.** Insert the electrical supply cable through the knockout and secure with a cable connector (not included).

**Step 3.**

- Connect 120V (Hot) (**black**) supply wire with black fixture wire using a wire nut.
- Connect Neutral (**white**) supply wire with white fixture wire using a wire nut.
- Connect Ground (**green**) supply wire with copper (or green) fixture wire using a wire nut.

**Step 4.** Tuck the wires carefully inside the junction box and close the cover.

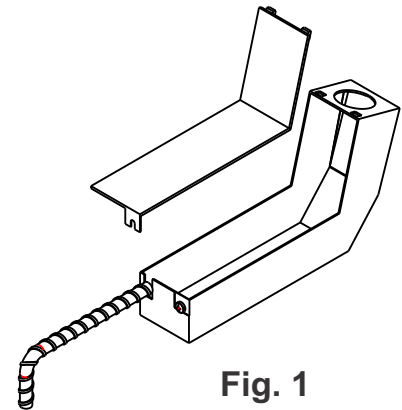
**Fixture Installation:**

**Step 1.** Pass the junction box through the opening in the ceiling. **Fig. 2**

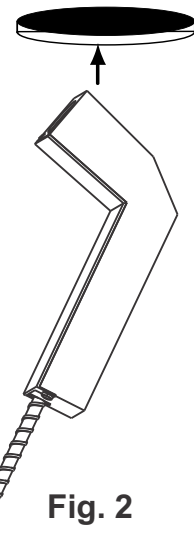
**Step 2.** Push the clips on the fixture until they are in the vertical "up" position. Release the clips as you insert the fixture into the ceiling. **Fig. 3**

**Step 3.** Install the Koto Module into the housing by twisting the trim off of the housing. Use the twisting and lock mechanism to secure the Koto module before connecting the corresponding quick connectors. After properly performing all necessary connections, twist the trim back onto the housing to secure it. **Fig. 4**

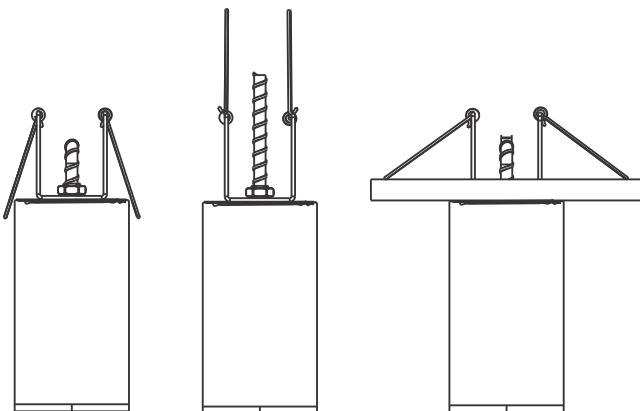
**Step 4.** Turn power back ON at the switch or breaker.



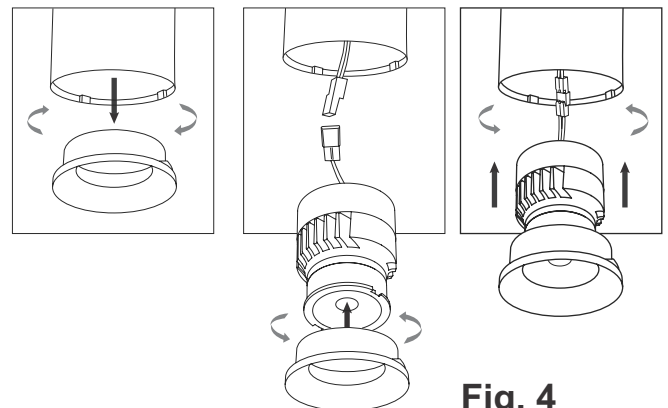
**Fig. 1**



**Fig. 2**



**Fig. 3**



**Fig. 4**