

ELCO - ELJ444 - 4" Deep Metallic Outlet Box

For your safety, read and understand instructions completely before starting installation. Before wiring to power supply, turn off electricity at the fuse or circuit breaker box. **NOTE:** Use of non-Elco trims voids Elco warranty.

WARNING - Risk of fire or electric shock. Installation of this fixture assembly requires a person familiar with the construction and operation of the luminaire's electrical system and the hazard involved. If not qualified, do not attempt installation. Contact a qualified electrician.

WARNING - Risk of fire or electric shock. Install this fixture only in the luminaires that have the construction features shown in the photographs and / or drawings. Do not make or alter any open holes in an enclosure of wiring or electrical components during kit installation.

WARNING -To prevent wiring damage/abrasion, do not pinch or damage exposed wiring during installation. Keep away from edges of sheet metal or other sharp objects.

INSTALLATION INSTRUCTIONS

Step 1. Install fixture using the two hanger bars provided. Each hanger bar foot is contoured to align with the wooden joist. Make sure the legs of the hanger bars are completely straight & parallel during installation. Secure fixture with two #8 x 1-1/4" drywall screws (1 on each hole as indicated by the arrows in Fig. 1) on each hanger bar foot. Mounting screws are not provided. To fit into a smaller joist spacing, shorten hanger bars by snapping off one or more sections at notches (Fig. 2). **NOTE: Maximum span of hanger bars is 16".**

Step 2. Slide fixture along hanger bar into desired position.

Step 3. Secure the fixture position by tightening the hanger bar securing screw to lock the hanger bar position. Repeat for the other side. (Fig. 3).

Step 4. A precise hole is required for installation of this fixture. Cut a 4 - 1/4" (108mm) opening in ceiling at fixture position.

Step 5. Loosen the two wing nuts inside the junction box. Adjust the vertical position until edge of box is flush with ceiling surface. Tighten the two wing nuts **very tightly**; use a plier to ensure adequate tightness (Fig. 4).

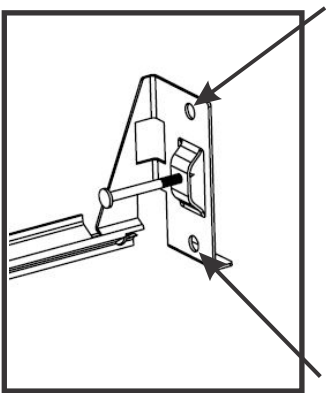


Figure 1

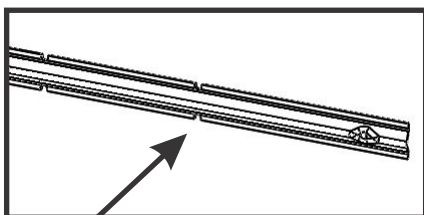
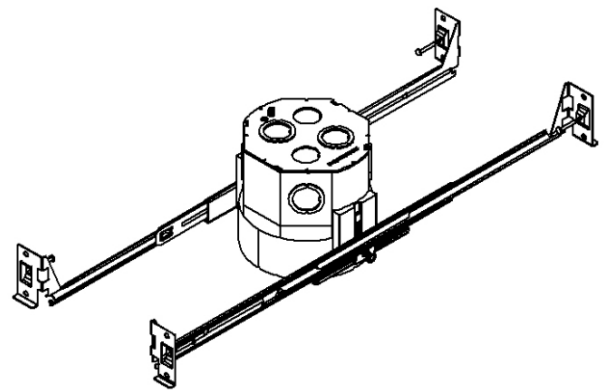


Figure 3

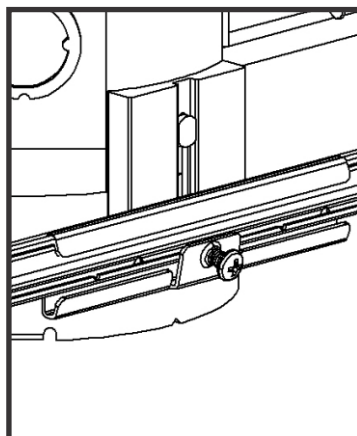


Figure 4

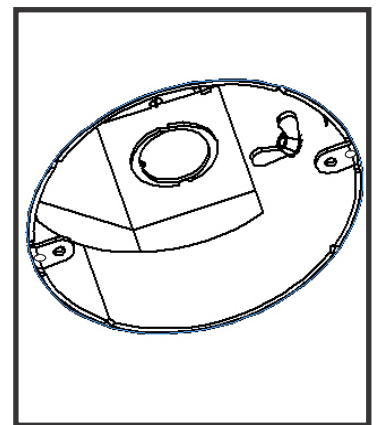


Figure 5