

INSTALLATION INSTRUCTIONS
4 in LED DOWNLIGHT - MODEL ELJ42230W
Rated Voltage 120V, 60Hz

(X indicates the color temperature, Y indicates the color of product)

Please read carefully and save these instructions as you may need them at a later date.

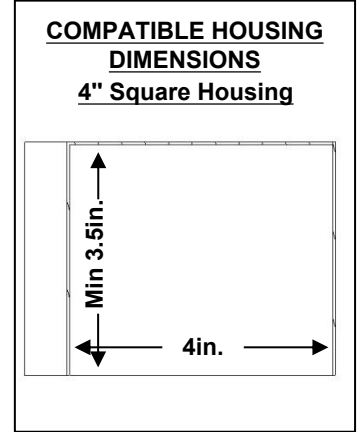
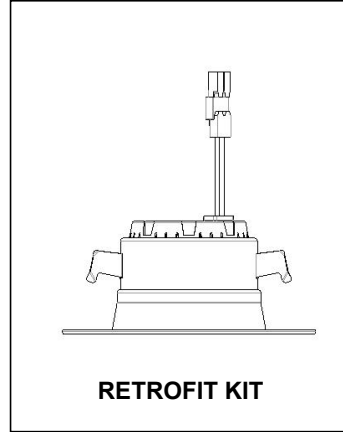
WARNING - RISK OF ELECTRIC SHOCK. DISCONNECT MAIN POWER AT FUSE OR CIRCUIT BREAKER BEFORE INSTALLING OR SERVICING THE FIXTURE.

GENERAL: All electrical connections must be in accordance with local and National Electrical Code (N.E.C.) standards. If you are unfamiliar with proper electrical wiring connections obtain the services of a qualified electrician.

Remove the KIT from the box and make sure that no parts are missing by referencing the PARTS illustrations.

THIS RETROFIT ASSEMBLY IS ACCEPTED AS A COMPONENT OF A LED LUMINAIRE WHERE THE SUITABILITY OF THE COMBINATION SHALL BE DETERMINED BY CSA OR CANADIAN AUTHORITIES HAVING JURISDICTION.

THIS DEVICE IS NOT INTENDED FOR USE WITH EMERGENCY EXITS.



WARNING- RISK OF FIRE OR ELECTRIC SHOCK

- LED Retrofit Kit installation requires knowledge of luminaires electrical systems. If not qualified, do not attempt installation. Contact a qualified electrician.
- Install this kit only in luminaires that have the construction features and dimensions shown in the photographs and/or drawings and where the input rating of the luminaire does not exceed the input rating of the retrofit kit.
- Do not make or alter any open holes in an enclosure of wiring or electrical components during kit installation.
- To prevent wiring damage or abrasion, do not expose wiring to edges of sheet metal or other sharp objects.

ASSEMBLY AND INSTALLATION

SQUARE HOUSINGS

1. Secure the ends of the input/supply wires coming out of the Square Housing into the connector provided with the retrofit insert. **(FIG. 1)**
2. Ensure that the male & female connectors are properly mated. **(FIG. 2)**
3. Push the clip legs in towards the body of the insert and fit all four legs into the opening of the Square Housing. **(FIG. 3)**
4. Tuck all wires into the Square Housing and carefully push the retrofit insert into the housing. **(FIG. 2 & 3)**

