

Please read carefully and save these instructions as you may need them at a later date.

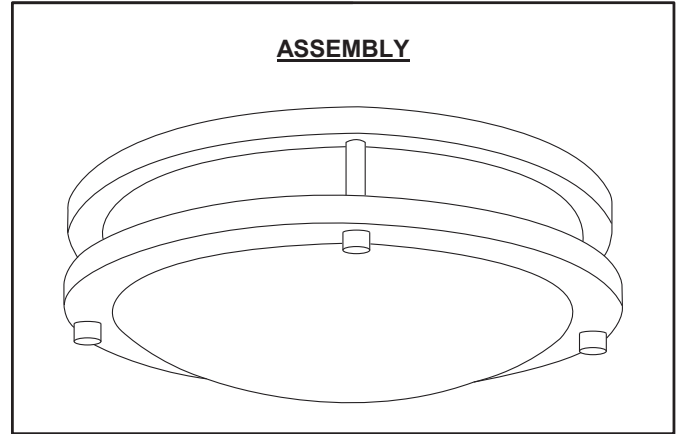
WARNING - RISK OF ELECTRIC SHOCK. DISCONNECT MAIN POWER AT FUSE OR CIRCUIT BREAKER BEFORE INSTALLING OR SERVICING THE FIXTURE.

GENERAL: All electrical connections must be in accordance with local and National Electrical Code (N.E.C.) standards. If you are unfamiliar with proper electrical wiring connections obtain the services of a qualified electrician.

Remove the KIT from the box and make sure that no parts are missing by referencing the PARTS illustrations.

THIS RETROFIT ASSEMBLY IS ACCEPTED AS A COMPONENT OF A LED LUMINAIRE WHERE THE SUITABILITY OF THE COMBINATION SHALL BE DETERMINED BY CSA OR CANADIAN AUTHORITIES HAVING JURISDICTION.

THIS DEVICE IS NOT INTENDED FOR USE WITH EMERGENCY EXITS.



WARNING- RISK OF FIRE OR ELECTRIC SHOCK

- LED Insert installation requires knowledge of luminaires electrical systems. If not qualified, do not attempt installation. Contact a qualified electrician.
- Install this kit only in luminaires that have the construction features and dimensions shown in the photographs and/or drawings and where the input rating of the retrofit kit does not exceed the input rating of the luminaire.
- Do not make or alter any open holes in an enclosure of wiring or electrical components during kit installation.
- To prevent wiring damage or abrasion, do not expose wiring to edges of sheet metal or other sharp objects.
- The inside of the ceiling must be waterproof.

ASSEMBLY AND INSTALLATION

Dedicated LED Housing

1. Thread the mounting screws into the outlet box so that they extend approximately 1/2 in. below the ceiling. (Fig.1)
2. Connect the black supply wire to the black fixture wire using a wire connector. Connect the white supply wire to the white fixture wire using a wire connector. Connect the fixture ground wire to the supply ground wire using a wire connector.(Fig.2)
3. Carefully tuck all wiring into the outlet box. Align the fixture pan over the outletbox, position the mounting screws through the large openings of the key hole slots. Rotate the fixture pan to seat the screws, and tighten securely.(Fig.2)
4. Slide the switch and select the color desired. (Fig.4)
5. Secure the fixture shade and the frame to the fixture pan using the thumb nuts.. (Fig.5)

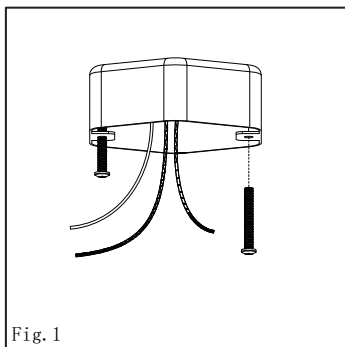


Fig. 1

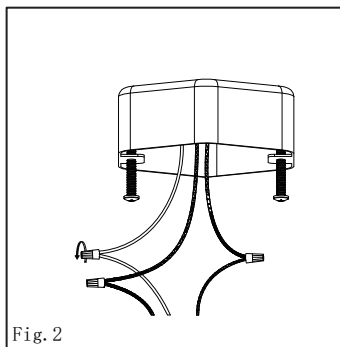


Fig. 2

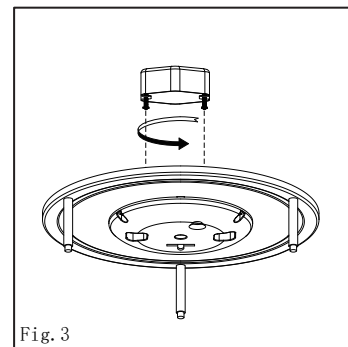


Fig. 3

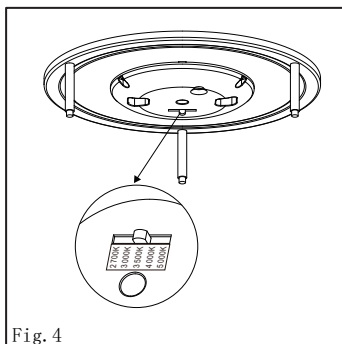


Fig. 4

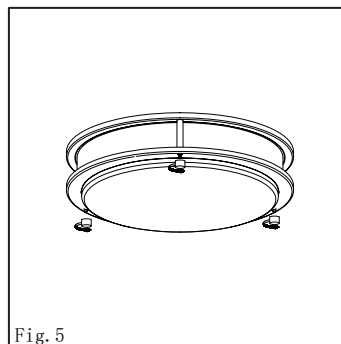


Fig. 5