

Simply dimming by dimmer switch from soft white (3000K) to a warm glow (1800K)

Rated Voltage 120V, 60Hz

EL 615SDX 5 1/8" Dim To Warm Downlight Reflector

EL 610SDX 5 1/8" Dim To Warm Downlight Baffle

"X" represent for different color trim finish, such as "W" is white finish, "BZ" is bronze finish

Please read carefully and save these instructions as you may need them at a later date.

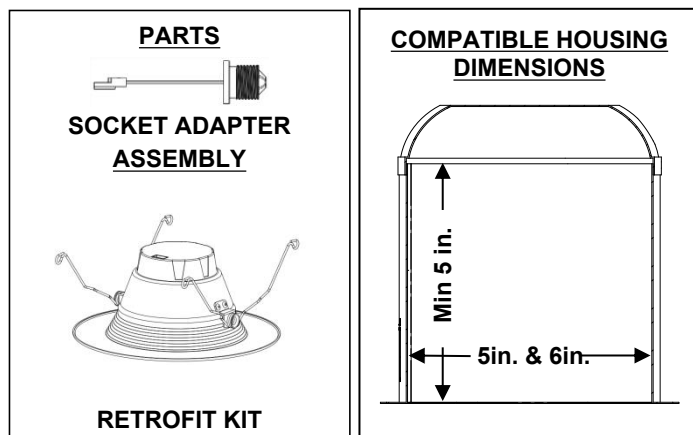
WARNING - RISK OF ELECTRIC SHOCK. DISCONNECT MAIN POWER AT FUSE OR CIRCUIT BREAKER BEFORE INSTALLING OR SERVICING THE FIXTURE.

GENERAL: All electrical connections must be in accordance with local and National Electrical Code (N.E.C.) standards. If you are unfamiliar with proper electrical wiring connections obtain the services of a qualified electrician.

Remove the KIT from the box and make sure that no parts are missing by referencing the PARTS illustrations.

THIS RETROFIT ASSEMBLY IS ACCEPTED AS A COMPONENT OF A LED LUMINAIRE WHERE THE SUITABILITY OF THE COMBINATION SHALL BE DETERMINED BY CSA OR CANADIAN AUTHORITIES HAVING JURISDICTION.

THIS DEVICE IS NOT INTENDED FOR USE WITH EMERGENCY EXITS.



WARNING- RISK OF FIRE OR ELECTRIC SHOCK

- To prevent wiring damage or abrasion, do not expose wiring to edges of sheet metal or other sharp objects.
- The inside of the ceiling must be waterproof.
- Installation of this retrofit kit requires a person familiar with the construction and operation of the luminaire's electrical system and the hazard involved. If not qualified, do not attempt installation. Contact a qualified electrician.
- Install this kit only in the luminaire that has the construction features and dimensions shown in the photographs and/or drawings and where the input rating of the retrofit kit does not exceed the input rating of the luminaire.
- This retrofit kit is accepted as a component of a luminaire where the suitability of the combination shall be determined by authorities having jurisdiction. Product must be installed by a qualified electrician in accordance with the applicable and appropriate electrical codes. The installation guide does not supersede local or national regulations for electrical installations.
- Luminaires wiring, power supply, or other electrical parts may be damaged when drilling for installation of retrofit kit hardware. Inspect wiring and components for damage.
- Only those open holes indicated in the photographs and/or drawings may be made or altered as a result of kit installation. Do not leave any other open holes in an enclosure of wiring or electrical components.
- Warning –risk of fire or electric shock . Luminaires wiring , power supply , or other electrical parts may be damaged when drilling for installation of retrofit kit hardware. Inspect wiring and components for damage .
- This device is not intended for use with emergency exits.

ASSEMBLY AND INSTALLATION

INCANDESCENT HOUSINGS

1. Unscrew the WING NUT inside the CAN to detach the SOCKET BRACKET from the CAN. Disengage the SOCKET from the SOCKET BRACKET. **(FIG. 1)**
2. Thread the SOCKET ADAPTER into the SOCKET. **(FIG. 2)**
3. Plug the FEMALE CONNECTOR of the RETROFIT KIT onto the MALE CONNECTOR of the SOCKET ADAPTER ASSEMBLY. **(FIG. 3)**
4. Squeeze both FRICTION BLADES arms together and insert into the CAN. **(FIG. 4)**
5. Tuck all wires into the CAN and carefully push the RETROFIT KIT into CAN. (NOTE: To provide enough room in shallow cans, carefully position SOCKET ADAPTER and SOCKET adjacent to the side of the LED DRIVER prior to inserting the RETROFIT KIT into the CAN.) **(FIG. 2 & 4)**

LED HOUSINGS

1. Plug the FEMALE CONNECTOR of the RETROFIT KIT onto the MALE CONNECTOR of the LED HOUSING. **(FIG. 3)**
2. Squeeze both FRICTION BLADES arms together and insert into the CAN. Tuck all wires into the CAN and carefully push the RETROFIT KIT into CAN. **(FIG. 2 & 4)**

