



WARNING:

Risk of electric shock. Before wiring to power supply, turn off electricity at the fuse or circuit breaker box.

CAUTION:

For your safety read and understand instructions completely before starting installation. Installation requires knowledge of luminaires electrical system. If not qualified, DO NOT attempt installation. Contact a qualified electrician if necessary.

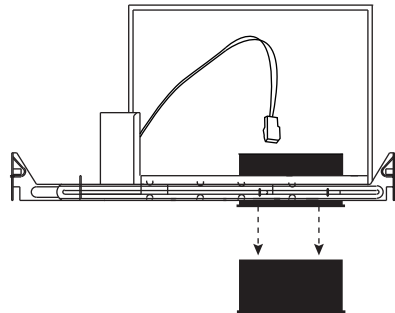
NOTE: When using ELK07, ELK08, ELK09, ELK10, or ELK11 Koto™ Modules, EL386ICA housing should be used.

When using ELK19 or ELK21 Koto™ Modules, E3LK53ICA, E3LK53ICAD, E3LK81ICAD, E3LK76ICA, or E3LK76ICAD housings should be used.

Wood Ceiling Trim Installation Instruction:

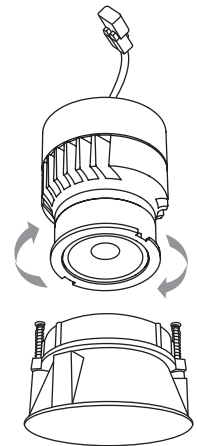
Step 1

Unscrew collar and remove from the housing.



Step 4

Install Koto™ Module and trimless reflector (ELK315) using twist-on mechanism

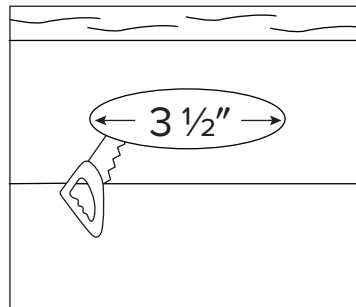


Step 2

Ceiling opening on wood material should be $3\frac{1}{2}$ " diameter ($3\frac{3}{16}$ " Max.)

Disclaimer:

Opening hole should be precise



Step 5

Mate the connector on Koto Trimless assembly with the connector from recessed housing. Follow by inserting Koto Trimless assembly into the wood adaptor for a flush trimless finish.

Step 3

Install wood adaptor (EL3WCR) with mounting clips upwards into recessed housing

