

ELCO - EJB4RICA - 4" Deep Metallic Outlet Box

For your safety, read and understand instructions completely before starting installation. Before wiring to power supply, turn off electricity at the fuse or circuit breaker box.

The electrical product contained herein is designed to meet the requirements of UL 514A and the current NFP regulations as published in the NEC. Specific modifications and revisions in your area may differ from this standard. Compliance with local building and electrical codes must be confirmed before installation.

WARNING - Risk of fire or electric shock. Installation of this fixture assembly requires a person familiar with the construction and operation of the fixture's electrical system and the hazard involved. If not qualified, do not attempt installation. Contact a qualified electrician.

WARNING -To prevent wiring damage/abrasion, do not pinch or damage exposed wiring during installation. Keep away from edges of sheet metal or other sharp objects.

Ceiling Installation (Minimum ceiling thickness of 5/8")

Step 1. Using the provided template, mark the hole cutout and mounting holes. **(Figure 1)**

Step 2. Cutout the opening of just the circular area (circular dotted line).

Hole cutout must be precise to the dimensions on the template (4 3/8")

Step 3. Drill mounting hole using 3/16" drill bit in each of the four markings made in Step 2 above.

Step 4. Gently insert the provided anchors through each of the holes made in Step 3. Make sure that the anchors are pushed through until the head of the anchor is fully flush with the ceiling.

Step 5. Squeeze back the spring clip legs and insert the box through the hole opening in the correct orientation. Position the box so that the holes on the mounting tabs line up with the four anchors that are now in the ceiling. **(Figure 2)**

Step 6. Secure the box by screwing the mounting tabs onto the anchors using the provided screws. Make sure that the screws are fully tightened all the way. **(Figure 1)**

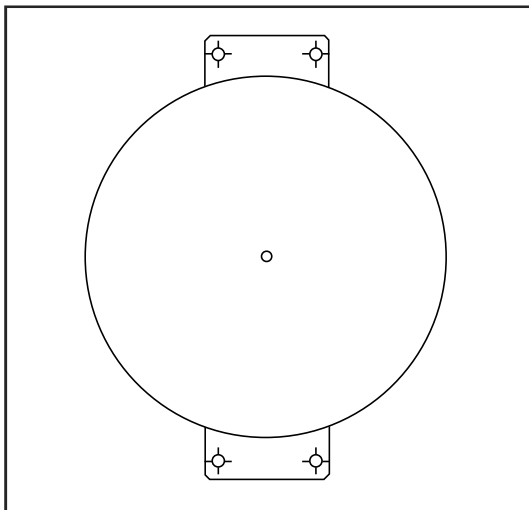
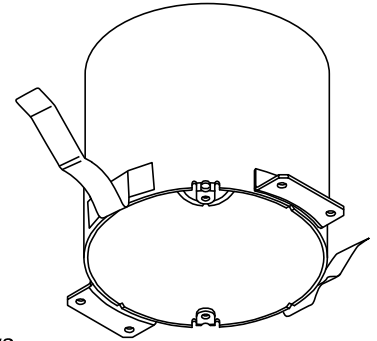


Figure 1

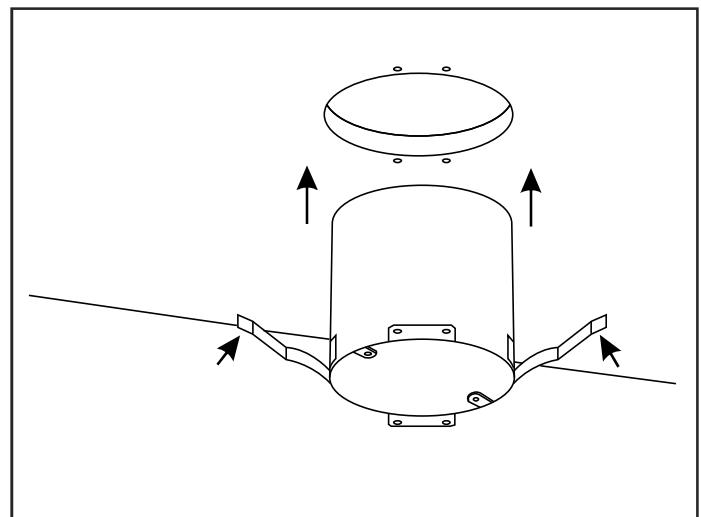


Figure 2