

ELCO Lighting presents  
The Mohagany System

# Integrated LED Housings & Trims



INTEGRATED LED



IC RATED



AIRTIGHT

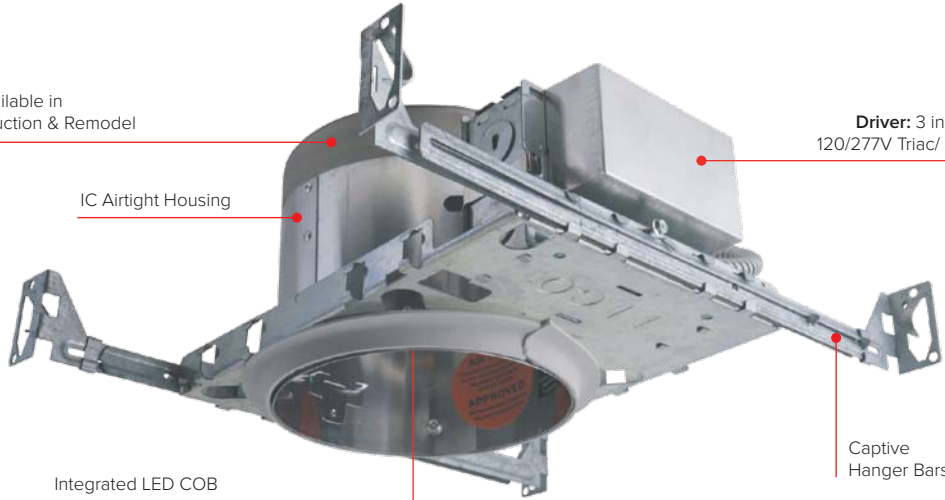


90+ CRI



DIMMABLE

Housing Available in  
New Construction & Remodel



Driver: 3 in 1 Dimming  
120/277V Triac/ ELV/ 0-10V

IC Airtight Housing

Integrated LED COB

Captive  
Hanger Bars

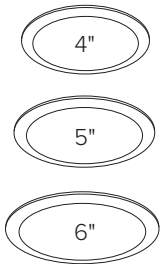


Battery Backup  
driver available  
upon request

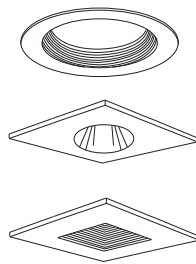


Wide variety of Trim  
Styles, Color Finishes and Shapes

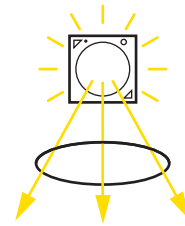
SIZES



STYLES



LUMENS



1200 lm to 1400 lm

COLOR TEMPERATURE



2700K - 4000K

Check out our full line of Catalogs at [elcolighting.com](http://elcolighting.com)



1 & 2-Hour Fire Rated Housings & Products



The Alder System



The Cedar System



LED Brick Lights & LED Step Lights



LED Undercabinet



Track Fixtures Brochure



The Elm System



The Laurel System



LED Housings & Inserts



Slope Ceiling Recessed Fixtures



**ELCO Lighting**  
The Best Choice in Lighting

2042 E. Vernon Ave.  
Vernon, CA 90058  
Tel. 323.231.2600  
[elcolighting.com](http://elcolighting.com)