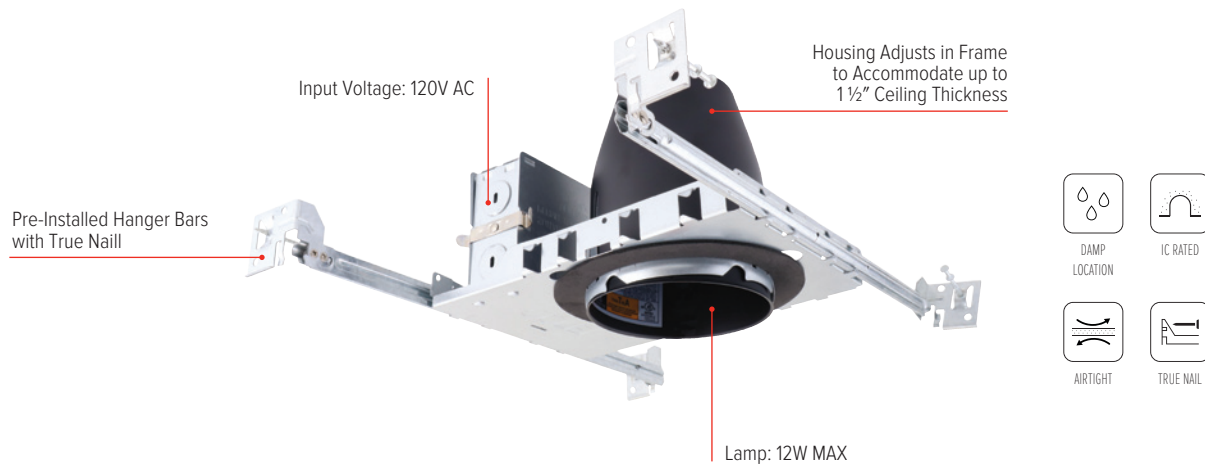


Introducing our **NEW**

4" EDISON Base Single Wall IC New Construction Housing for LED Lamps



EL99LDICA

- For LED Lamps
- Lamp: 12W MAX.
- UL Listed for Damp Location and for Feed Through
- UL Listed for Direct Contact with Insulation (Type IC)

... FOR PRICING PLEASE CONTACT
YOUR SALES REPRESENTATIVE OR
GO TO ELCO PORTAL ...

Compatible
LED Lamp



PAR20FLD

For our entire selection of compatible **Trims & Lamps**
please visit us at elcolighting.com

Subject to US tariffs. All other standards, terms and conditions apply.
Please provide your e-mail address to salesadmin@elcolighting.com. To unsubscribe e-mail: salesadmin@elcolighting.com



E-mail your order to: orderdesk@elcolighting.com
Tel: **800.522.2626** • Fax: **800.644.2626**

EL **ELCO Lighting**
The Best Choice in Lighting