



WARNING:

Risk of electric shock. Before wiring to power supply, turn off electricity at the fuse or circuit breaker box.

CAUTION:

For your safety read and understand instructions completely before starting installation. Installation requires knowledge of luminaires electrical system. If not qualified, DO NOT attempt installation. Contact a qualified electrician if necessary.

NOTE: Before beginning the installation, carefully unpack and identify all parts.

Type IC for Insulated Ceilings

Remodel Style Installation

Step 1. Cut a hole according to the proper diameter in the existing ceiling. **Fig. 1**

Step 2. Insert the power supply into the ceiling opening and secure by screw(s) on the ceiling. **Fig. 2 and Fig. 3**

Step 3. Twist and lock the Koto module onto your selected trim.

Step 4. Align the arrows to connect the cables coming from the power supply and module.

Step 5. Push the clips on the trim until they are in the vertical "up" position. Release the clips as you insert the trim into the ceiling. **Fig. 4**

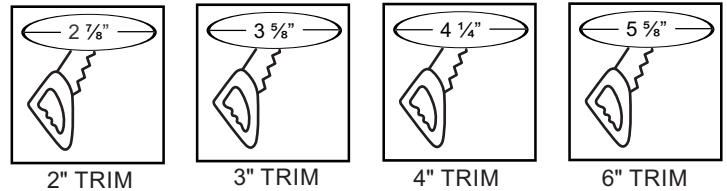


Fig. 1

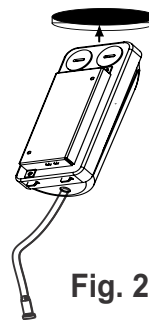


Fig. 2

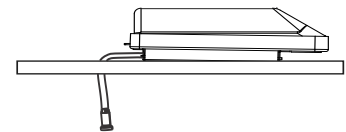


Fig. 3

New Construction Installation

Step 1. Extend hanger bars to fit between joists and set the new construction frame into place by hammering in the nails at each foot. **Fig. 5 and 6.**

Step 2. After the frame is set into place, tighten the hanger bars using the locking screws mounted onto the frame, (indicated by the arrow in **Fig. 7**).

Step 3. Twist and lock the Koto module onto your selected trim.

Step 4. Align the arrows to connect the cables coming from the power supply and module.

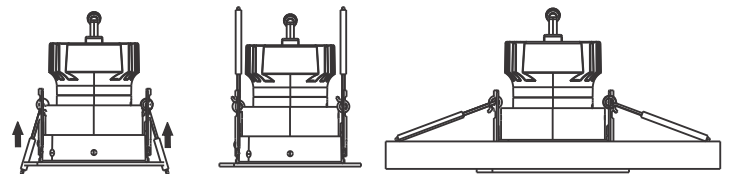


Fig. 4

Step 5. A precise hole is required for mounting this fixture. Cutting drywall along the inner diameter of the mounting frame will provide an accurate hole. After cutting the drywall, please proceed from **Step 3** of the remodel installation.

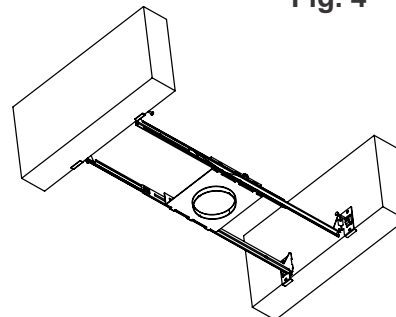


Fig. 5

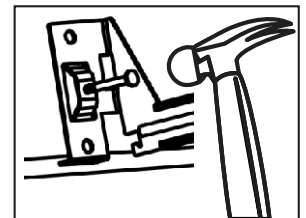


Fig. 6

Wiring Instructions

Step 1. Provide electrical service according to national and/or local electrical code to the junction box located on the mounting frame. Supply wire insulation must be rated for at least 90°C. Note: This fixture requires a flexible electrical supply.

Step 2. Remove wiring compartment cover. Remove the appropriate knock-out(s) to accommodate the type of electrical supply being used (**Fig. 8**). For flexible metal conduit or non-metallic sheathed cable, remove appropriate round knock-out(s) and connect conduit to junction box with proper connections (not supplied).

Step 3. Strip Supply wire 3/8" and insert each supply wire into appropriate connector. Connect black fixture wire to hot, white fixture wire to neutral, and green fixture wire to ground. (**Fig. 8**). For 0-10V: Connect violet (+) and pink (-) dimmer wires.

Step 4. Place all wiring and connectors back in wiring compartment and replace cover, taking care not to pinch any wires.

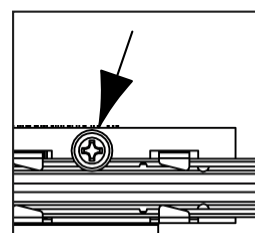


Fig. 7

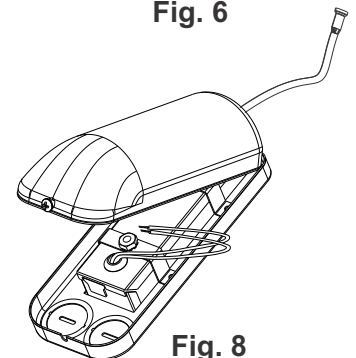


Fig. 8