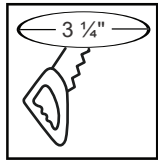
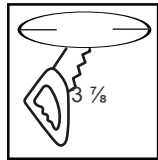


1. CUTTING A HOLE

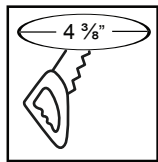
Cut out a hole according to the proper diameter in the existing ceiling. (as shown below)



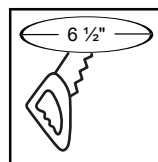
2" HOUSING



3" HOUSING



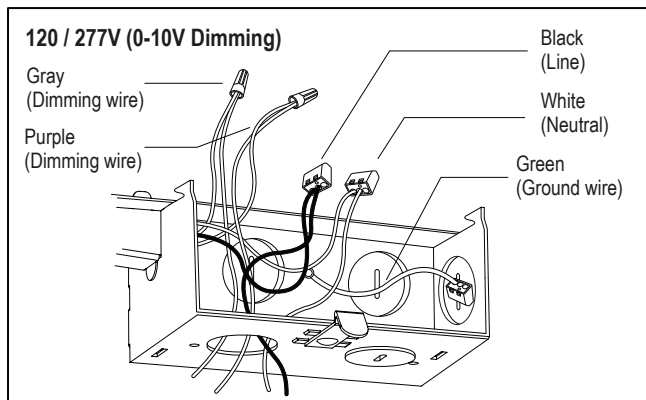
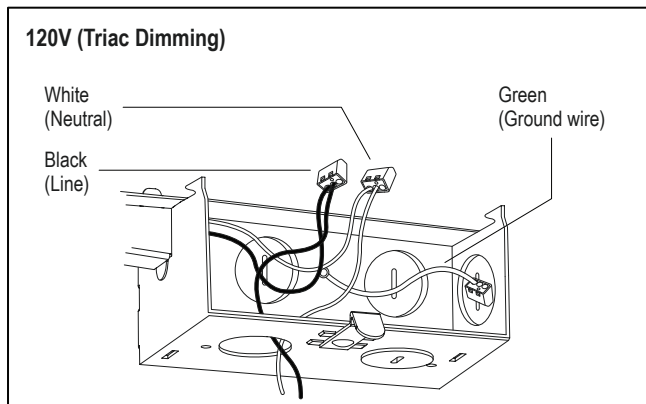
4" HOUSING



6" HOUSING

2. ELECTRICAL CONNECTION

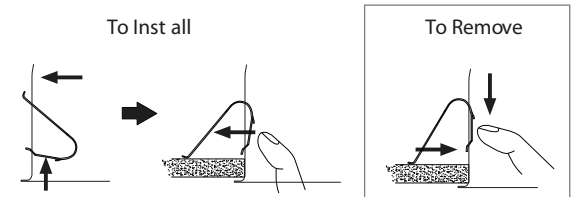
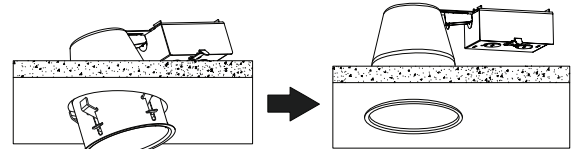
Open the Junction Box cover and connect the wires in the same color. Please refer to the details of wires shown below. Close J-Box cover after wiring.



3. FASTENING FIXTURE TO CEILING

Insert the housing in ceiling cutout as illustrated

1. Push remodel clips into the Can.
2. Insert the housing into the ceiling.
3. Pull the fixture up through the hole.
4. Push clips to secure the fixture.



4. DIMMER SWITCH WIRING

