



WARNING:

Risk of electric shock. Before wiring to power supply, turn off electricity at the fuse or circuit breaker box.

CAUTION:

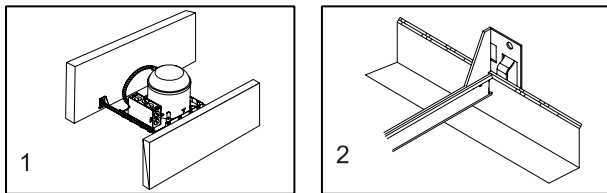
For your safety read and understand instructions completely before starting installation. Installation requires knowledge of luminaires electrical system. If not qualified, DO NOT attempt installation. Contact a qualified electrician if necessary.

Koto™ MAX Recessed Housing Installation Instructions

1. FASTENING FIXTURE TO CEILING

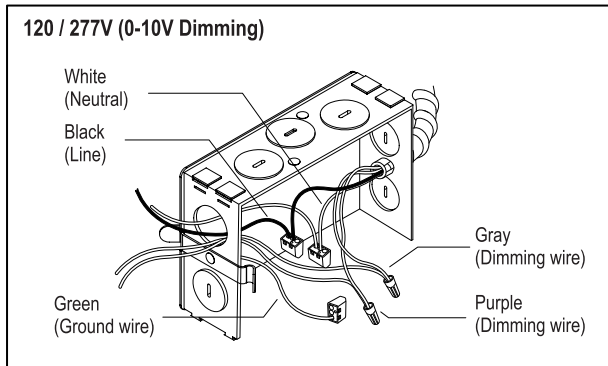
Joist-type ceiling-extend bar hangers to fit between joists. Position fixture temporarily by hammering "Nail" into joists. (Drawing 1), then secure permanently with nails. Hangers should be level with bottom of joists.

Suspended(T-bar) ceilings-extend bar hangers 1" past T-bars, then rest fixture on T-bars. Secure fixture to T-bars with wire (Drawing 2).



2. ELECTRICAL CONNECTION

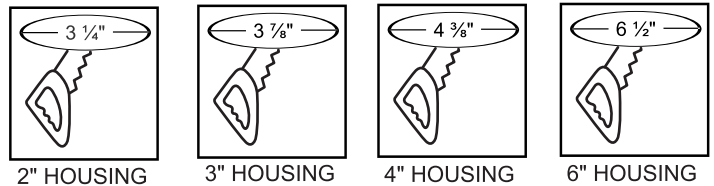
Open the Junction Box cover and connect the wires in the same color. Please refer to the details of wires shown below. Close J-Box cover after wiring.



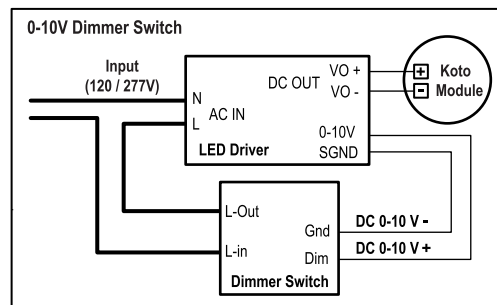
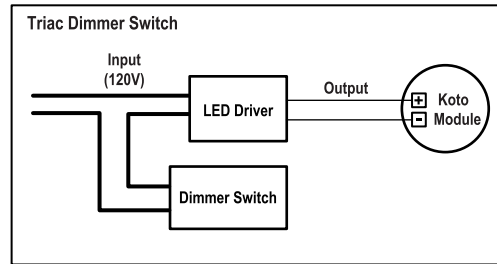
3. CUTTING A HOLE

Locate the center of proposed opening on your tile or ceiling material and mark it.

Rounds : Use a compass to draw a circle shown below diameter around the center point. Cut along this circular line



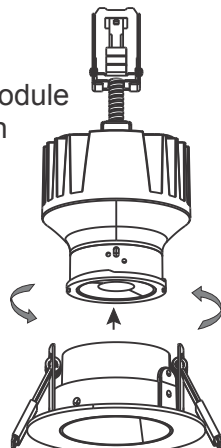
4. DIMMER SWITCH WIRING



Koto™ MAX Module to Trims and Installation Instructions

Step 1

Install Koto™ MAX Module and trim using twist-on mechanism



Step 2

Mate the connector on module with the connector from recessed housing. Follow by inserting module with trim assembly into housing.

