

2" LED DOWNLIGHTS

10.5-12.5W, 2700K-4000K & Sunset, 800-1100 lm

THE TEAK™ SYSTEM

Specification grade 2" LED downlight. Boasting an output up to 1100 lumens - more than a traditional 75W MR16 halogen lamp. The patented engine offers auto release clips that make installation a breeze.



FEATURES

- IC rated for direct contact with insulation.
- Same light engine can be at 850 lumens (10.5W) or 1100 lumens (12.5W).
- JA8-2016-E, cUL, and Energy Star Qualified.
- Works with compatible ceilings up to 1 ¼".
- Height allows for use in ceilings with under 5" depth.
- Life Span 50,000 Hours L70.

SPECIFICATIONS

Wattage	10.5-12.5W
Lumens	800lm - 1100lm
Voltage	120V or 120/277V
Color Temp.	2700K, 3000K, 3500K, 4000K, Sunset
CRI	93+
Wet Location	Fixed trims
Damp Location	Adjustable trims
Dimming	Triac/ELV or 0-10V/Triac/ELV
Beam Angle	28° 38° 60°

SET UP

1. Select a Housing.
2. Select a Light Engine.



Finishes	White
	Bronze
	Black
	Haze/ White
	Black/White
	Chrome/White

1. Specify housing part number

2" TEAK™ R60 & CHICAGO PLENUM ICA NEW CONSTRUCTION HOUSING

IC HOUSINGS Example: E2LAJ08ICA

ITEM	HOUSING	LUMENS	DIMMING	OPTIONAL
E2L				
E2L	(Blank)◆ Standard IC	08 ◆ 850 lm	New Construction	(Blank)◆ No EM
	AJ R60 & Chicago plenum ICA	11 1100 lm	ICA ◆ 120V Triac/ELV (5%)	-EM1 EM Backup Up To 700 lm ¹
			ICAD 120V/277V 0-10V/Triac/ELV (1%)	-EM2 EM Backup Up To 1100 lm ¹
			Remodel	
			RIC 120V Triac/ELV (5%)	
			RICD 120V/277V 0-10V/Triac/ELV (1%)	
				¹ For New Construction Housing Only

◆ = ELCO's Choice

2. Specify light engine part number

TEAK LIGHT ENGINES

FIXED DOWNLIGHT LIGHT ENGINES Example: E2L10F27W

ITEM	STYLE	BEAM ANGLE	COLOR TEMP	FINISH
E2L				
E2L¹	10 ◆ Round Reflector ²	F ◆ 38°	27 2700K	W ◆ All White
	13 Square Reflector ²	NF 28°	30 ◆ 3000K	B Black/White
	14 Round Baffle ²	WF 60°	35 3500K	BZ All Bronze
	15 Square Baffle ²		40 4000K	H Haze/White ⁴
			SD Sunset ³	BB All Black
			C Chrome/White ⁴	
¹ IC Rated	² Wet location listed		³ Sunset, dim to warm technology, automatically transitions from 3000K to 1800K when dimmed	⁴ For Reflector Option Only (10 & 13)

◆ = ELCO's Choice

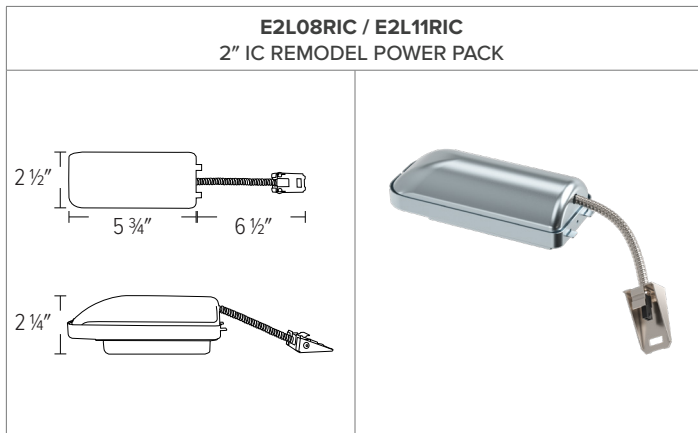
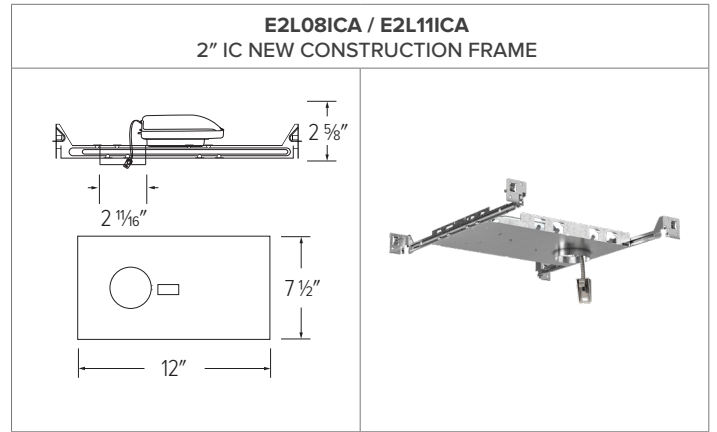
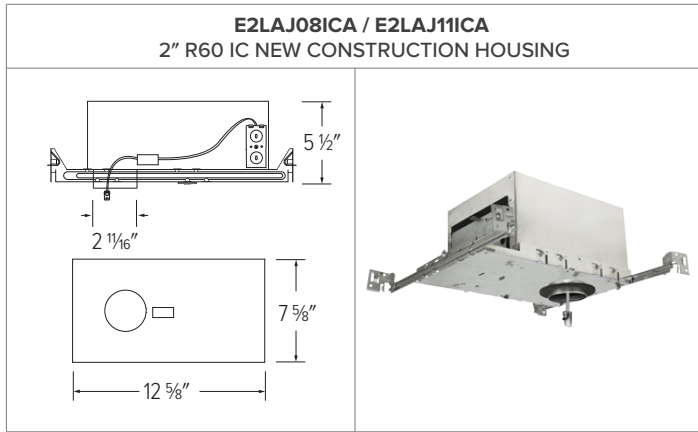
ADJUSTABLE LIGHT ENGINES Example: E2L18F27W

ITEM	STYLE	BEAM ANGLE	COLOR TEMP	FINISH
E2L				
E2L¹	18 ◆ Round Adjustable ²	F ◆ 38°	27 2700K	W ◆ All White
	19 Square Adjustable ²	NF 28°	30 ◆ 3000K	B All Black
	97 Round Pull-Down ²		35 3500K	BZ All Bronze
		40 4000K		
¹ IC Rated	² Damp location listed			

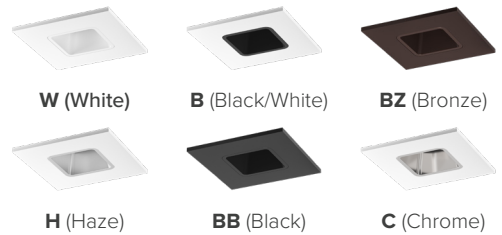
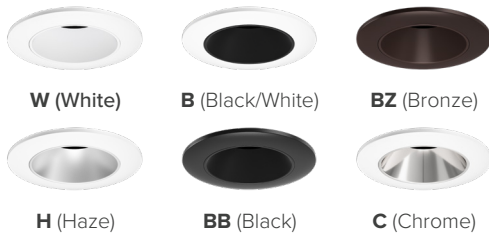
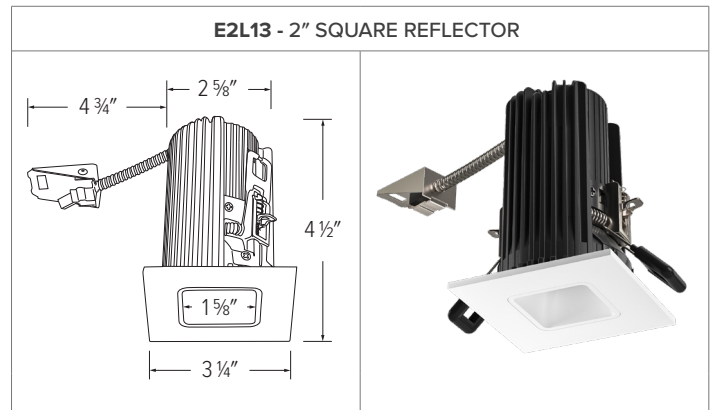
◆ = ELCO's Choice

PRODUCT DIMENSIONS

2" TEAK™ R60 ICA NEW CONSTRUCTION HOUSING, IC RATED FRAME & POWER PACK

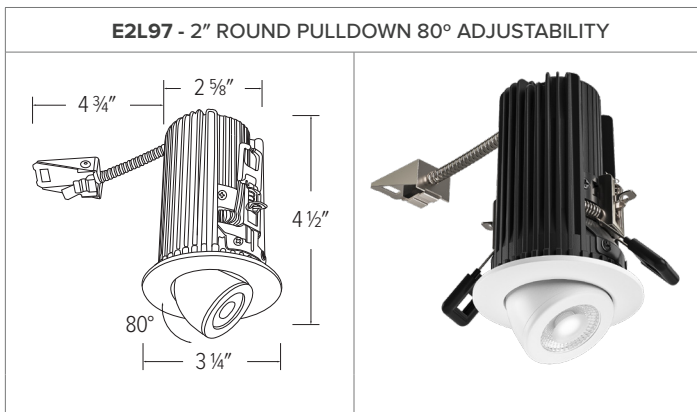
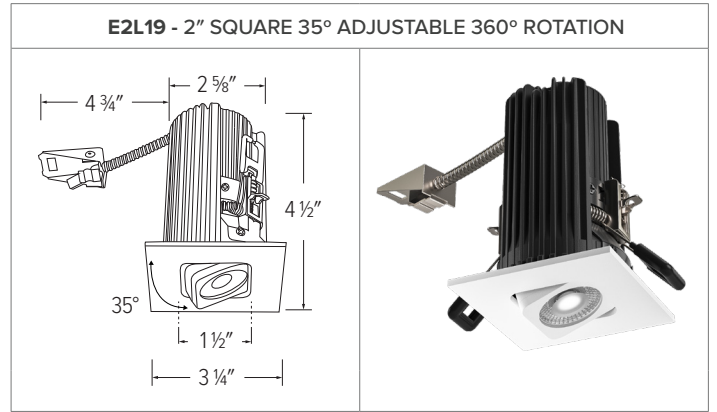
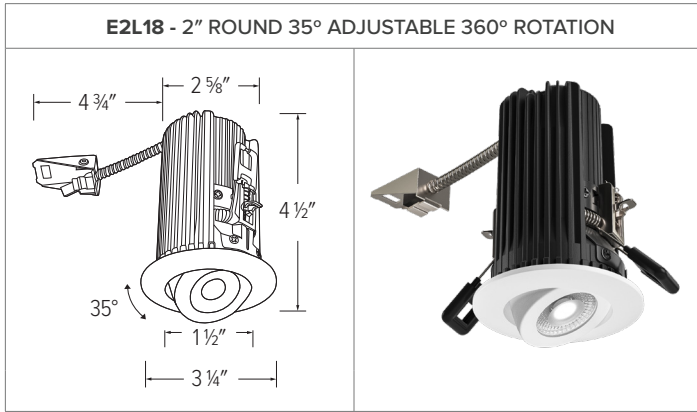
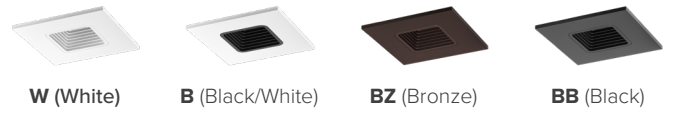
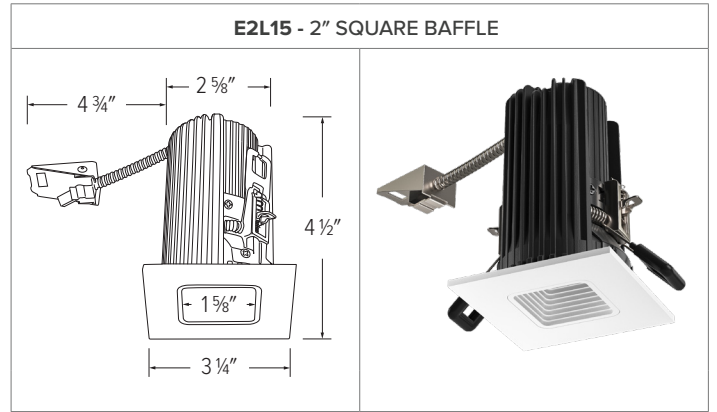
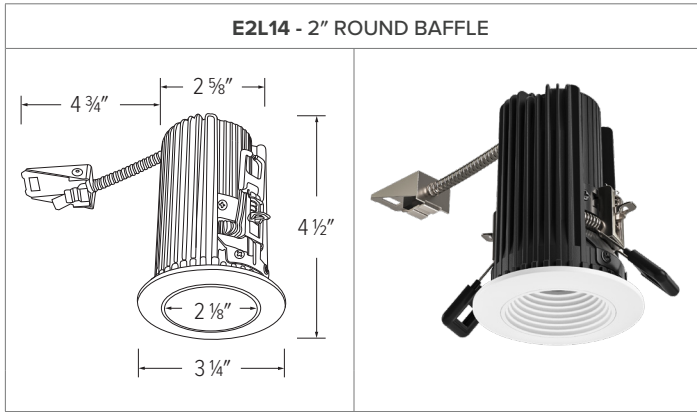


TEAK LIGHT ENGINES



PRODUCT DIMENSIONS

TEAK LIGHT ENGINES



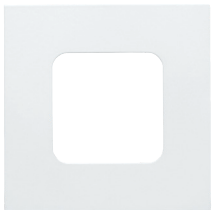




ACCESSORIES

REPLACEMENT ROUND INTERCHANGEABLE TRIMS (for E2L10, E2L13, E2L14 & E2L15)



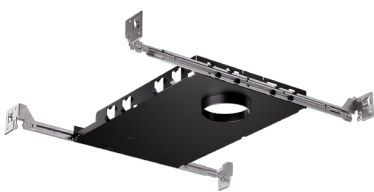
Round Reflectors				
PR2W (White)	PR2B (Black)	PR2BZ (Bronze)	PR2C (Chrome)	PR2H (Haze)
				
Round Rings				
RM2W (White)	RM2B (Black)	RM2BZ (Bronze)		
				

REPLACEMENT SQUARE INTERCHANGEABLE TRIMS (for E2L10, E2L13, E2L14 & E2L15)

Square Reflectors		
PR22W (White)	PR22B (Black)	PR22BZ (Bronze)
		
Square Rings		
RM22W (White)	RM22B (Black)	RM22BZ (Bronze)
		

ACCESSORIES

PLASTER FRAMES

E2LF1	E2LF1-MX	E2LF2
		
<p>New Construction Single Frame For Teak™ Recessed</p>	<p>E2LF1-M2: 2 Sets (Total Length Of Frames: 8 ¾") E2LF1-M3: 3 Sets (Total Length Of Frames: 13 ½") E2LF1-M4: 4 Sets (Total Length Of Frames: 17 ½") E2LF1-M5: 5 Sets (Total Length Of Frames: 21 ⅞")</p>	<p>Large New Construction Single Frame For Teak™ Recessed</p>

FIRE RATED PRODUCTS

FIREENCL / FIREENCL-S 1-HOUR FIRE ENCLOSURE FOR RECESSED FIXTURES	FIRETAPE MICA ADHESIVE FIRE TAPE FOR FIRE ENCLOSURE	FIRECVR 2-HOUR FIRE COVER FOR RECESSED FIXTURES
		
<p>Standard - 9" H x 20 ¾" L x 14 ⅜" W Shallow (-S) - 7 ¼" H x 16" L x 14 ⅜" W</p> <p>Provides fire barrier around recessed lights. ETL approved 1-hour fire rating. Meets UL 263, ASTM E119 Specifications. To be used with Mica Tape to seal the power feeding point. (FIRETAPE sold separately)</p>	<p>¾" W x 16' L</p> <p>Fire proof mica adhesive tape helps seal the power feeding point on Fire Enclosure. Offers outstanding high temperature and flame resistance, and provides excellent electrical insulation.</p>	<p>9 ¾" H x 17" O.D. x 13" I.D.</p> <p>Made of heat activated intumescent material. UL approved for most ceiling types: sheetrock drywall, gypsum & acoustical tiles. UL Rated enclosure stops flame spread and heat transmission for up to 2 hours.</p>

LENS & OPTICS

EP716C / EP717C / EP718C OPTIONAL LENS

<p>16C (28°) / 17C (38°) / 18C (60°)</p>

TECHNICAL DETAILS

Optics: PC Lens for even lumen distribution. Standard 38° lens. Optional 28° (EP716C) and 60° (EP718C) available.

Adjustability: (E2L18 & E2L19) 360° rotation with 35° gimbal adjustability. (E2L97) 360° rotation with 80° gimbal adjustability.

Construction (Housing): IC rated for direct contact with insulation. For use in IC and non-IC conditions.

Construction (Light Engine): Diecast construction for lasting quality and greater heat dissipation. High quality powder coat finish prevents rust and paint cracking.

Installation (Housing): Designed for ceiling plenums where 2x6 joists or taller are used. High strength hanger bars can easily be nailed to joists. Suitable for T-grid and drop ceiling applications. See installation sheet for detailed information.

Installation (Light Engine): All Teak™ LED Light Engines are IC Rated without any additional covering or housing. All Teak™ LED Light Engines feature a patented trigger release clip that will depress as the module is being inserted, holding the module in place. Teak™ LED Light engines require driver. Can be utilized in new construction and remodel applications. 2 5/8" cutout for downlights and adjustable.

Installation (Power Pack): IC Rated Can be used in remodel applications or new construction housing without any additional frame. Can be used in new construction applications with E2LF1 or E2LF2 frame.

Hanger Bars: Pre Installed hanger bars with True Nail easy installation in regular lumber, engineered lumber, and Laminated Beams. Integral T-bar slots for easy installation in T-Bars. Spans up 24" and can be repositioned 90°. Score lines allow for tool-free hanger bar size reduction. Integral leveling flange allows for single-person installation while easily aligning the housings with the joists.

LED Technology: Extremely accurate color rendering with 93+ CRI. Efficacy of up to 104 lumens per watt. Lumen Maintenance of 50,000 hours L70 based on LM80. Superior Thermal Management by utilizing diecast aluminum body as heat sink.

Sunset: Sunset color temperature is our dim-to-warm LED technology that allows the color temperature to become warmer as the product is dimmed. Our SUNSET items start at 3000K and go as low as 1800K when dimmed. For Sunset dim technology be sure to order an item with "Sunset" in the Color Temperature (CCT) attribute.

Electrical (Housing): Driver is rated for 120V or 120/277V input. High Efficiency driver with a power factor > 0.95.

Electrical (Light Engine): Requires driver. Driver and housing can be specified with voltage (120V or 120/277V) and dimming (ELV/Triac or 0-10V/Triac/ELV)

Delivered Lumens:

08: 811.5 lm/2700K, 844.5 lm/3000K, 888.3 lm/3500K, 907.8 lm/4000K, 928.9 lm/5000K, 800 lm/Sunset
11: 1047.6lm/2700K, 1097.0 lm/3000K, 1146.3 lm/3500K, 1179.3 lm/4000K, 1206.7 lm/5000K, 1000lm/Sunset

Dimming: Option ELV/TRIAC dimming or 3 in 1 dimming: Triac, ELV and 0-10V 1% dimming can be specified.. Can be specified with Lutron drivers. For a full list of dimmers refer to the Dimmer Compatibility List.

Emergency Battery Pack: Optional 90 minute battery pack available with test indicator switch. Note that double wall housings require Access From Above Ceiling for Battery Maintenance.

Listings: cUL Listed. Adjustable light engines are cUL Listed for Damp Location. Downlights are cUL listed for Wet Location. cUL Listed for Direct Contact with Insulation and Combustible Material.

Warranty: ELCO Products are built to last with a 5-year Limited warranty.

DIMMER COMPATIBILITY CHART

FOR REFERENCE ONLY

Testing conducted by ELCO Lighting is not a substitute for and does not imply certification by an independent laboratory or any other standards certification. Refer to manufacturer specifications for more detailed information on product certifications and standards. Consult the dimmer manufacturer prior to installation to ensure compatibility.

MANUFACTURER	PRODUCT	PART NUMBER	DIMMED LIGHT OUTPUT RANGE
120V - Triac/ELV Dimmers for E2L08ICA, E2L11ICA, E2L08RIC, E2L11RIC			
Leviton	Decora SureSlide® Single Pole with Slide -to-Off	6672	15% - 100%
	Leviton Dimmer	1K35O2	5% - 100%
Lutron	Vive, 120V, 150W LED/CFL, 600W Incandescent/Halogen, FP, Single Pole/Multi-Location Dimmer, Commercial Application	MRF2S-6CL	12% - 91%
	Panel Model, Commercial/Residential Application, FP	GP (Harrier) Card	10% - 94%
	Grafik QS/Mailbox Power Module, 120/220 to 240V AC, LED/Incandescent/Halogen Load Type, Commercial/Residential Indoor Application, FP	LQRJ-WPM-6P	10% - 95%
	Grafik Eye 3000/HomeWorks, 120V, Incandescent/Fluorescent Load Type, Commercial/Residential Application, FP	HWI-WPM-6D-120	10% - 95%
	Panel Dimming Module, 120V, Commercial/Residential Application, FP	HW/LP-RPM-4U-120	10% - 95%
	Panel Adaptive Dimming Module, 120V, Commercial/Residential Application, FP	HW/LP-RPM-4A-120	9% - 95%
	HomeWorks® QS for CFL/LED loads, 120V, RP, Commercial/Residential Application	LQSE-4A1-D/ MQSE-4A1-D/ MQSE-3A1/MQSE-2A1-D	8% - 95%
	Energi Savr Node LED+ Phase Adaptive, Commercial Application, Reverse Phase, (Zone 1) (Zones 2-4)	QSN-4A5-S	8% - 95%
	Energi Savr Node LED+ Phase Adaptive, Commercial Application, Foward Phase, (Zone 1) (Zones 2-4)	QSN-4A5-S	10% - 97%
	RadioRA®2, 120V, 50/60-Hz, 150W LED or 600W Incandescent/Halogen, 3-Way & 4-Way, Residential Application	RRD-6CL	10% - 95%
	RadioRA®3, 120V, 250W LED/CFL or 500W Incandescent/Halogen, Single Pole, Multi-Location	RRST-PRO-N	10% - 95%
	HomeWorks® QS, 120V, 60-Hz, 150W LED/CFL or 600W Incandescent/Halogen/MLV, Residential Application	HQRD-6CL(H2) HQRA-6CL(H2)	10% - 95%
	Homeworks QS, Residential Application, Reverse Phase	LQSE-4A-120-D	8% - 89%
	HomeWorks® for LED/Incandescent/Halogen loads, Reverse Phase, (Zone 1) (Zones 2-4)	LQSE-4A5-120-D	8% - 89%
	HomeWorks® for LED/Incandescent/Halogen loads, Foward Phase, (Zone 1) (Zones 2-4)	LQSE-4A5-120-D	10% - 100%
	Ariadni® C-L Single Pole/3-Way, 150W LED/CFL or 600W Incandescent/Halogen	AYCL-153P	10% - 100%
	Skylark Contour® C-L, Single Pole/3-Way, 150W LED/CFL or 600W Incandescent/Halogen	CTCL-153P	10% - 100%
	Skylark® C-L Single Pole/3-Way, 150W LED/CFL or 600W Incandescent/Halogen	SCL-153P	10% - 100%
	Diva® Series 150W Single Pole/3-Way Dimmer	DVCL-153P	10% - 100%
	Skylark Contour® Single Pole/3-Way 1000W Incandescent/Halogen	CT-103P	10% - 100%
Skylark® Single Pole 300W ELV Preset Dimmer	SELV-300P	5% - 100%	
Skylark® Single Pole 600W Incandescent/Halogen, Slide-to-Off Dimmer	S-600P	5% - 100%	
Diva® 300W Single Pole/3-Way ELV Dimmer	DVELV-303P	10% - 100%	
Diva® 600W Single Pole Incandescent/Halogen Preset Dimmer	DV-600P	5% - 100%	
Ariadni® 600W Single Pole Magnetic Low Voltage Dimmer	AYLV-600P	5% - 100%	
Ariadni® 600W Single Pole/3-Way Incandescent/Halogen Dimmer	AY-603P	5% - 100%	

DIMMER COMPATIBILITY CHART

FOR REFERENCE ONLY

Testing conducted by ELCO Lighting is not a substitute for and does not imply certification by an independent laboratory or any other standards certification. Refer to manufacturer specifications for more detailed information on product certifications and standards. Consult the dimmer manufacturer prior to installation to ensure compatibility.

MANUFACTURER	PRODUCT	PART NUMBER	DIMMED LIGHT OUTPUT RANGE
120V - Triac/ELV Dimmers for E2L08ICA, E2L11ICA, E2L08RIC, E2L11RIC			
Lutron	Maestro® 600W Single Pole/3-Way ELV Dimmer	MAELV-600	5% - 100%
	Maestro® C-L Single Pole/3-Way Dimmer. 150W Max for LED/CFL or 600W Max for Incandescent/Halogen	MACL-153M	10% - 100%
	Caséta® Wireless Dimmer	PD-6WCL	10% - 100%
Triac/ELV Type Dimmers - 120V Only for E2L08ICAD, E2L11ICAD, E2L08RICD, E2L11RICD			
Lutron	120V AC, 150W LED/CFL or 600W Incandescent/Halogen, Single Pole, 3-Way	RRD-6CL	1% - 100%
	120V AC 60Hz, 150W LED/CFL/Incandescent/Halogen, Single Pole, 3-Way,	DVCL-153P	1% - 100%
	120V 60Hz, 150W LED/CFL or 600W Incandescent/Halogen, Single Pole, 3-Way	TGCL-153P	1% - 100%
	120V AC 60Hz, 300W Electronic Low Voltage, 3-Way, Commercial/Residential Application	DVELV-303P	1% - 100%
	120V, 600W Incandescent/Halogen, Single Pole, Residential Indoor Application	TG-600P	1% - 100%
	120V, 1000W Incandescent or 600W Magnetic Low Voltage, Single Pole, 3-Way	CT103P	1% - 100%
	120V AC 60Hz, 600W Electronic Low Voltage, Single Pole/Multi-Location,	MAELV600	1% - 100%
	120V AC 60Hz, 500W Electronic Low Voltage, Single Pole/Multi-Location,	FAELV500	1% - 100%
	120V AC 60Hz, 600W Incandescent/Halogen, Single Pole, Slide-to-Off Dimmer	S-600P	1% - 100%
	120V AC 60Hz, 150W LED/CFL or 600W Incandescent/Halogen, Single Pole, 3-Way	SCL-153P	1% - 100%
	Caséta® Wireless Dimmer	PD-6WCL	1% - 100%
	120V AC 60Hz, Low Voltage Load Type, 150W Single Pole	DVLV-600P	5% - 100%
	120V AC, 60Hz, 600W Incandescent/Halogen, Single Pole, 3-Way, Residential and Commercial Application	DV-603P	1% - 100%
	120V AC, 50/60Hz, 150W LED/CFL, 600W Incandescent/Halogen, Single Pole, 3-Way, Indoor Application	MA-PRO	1% - 100%
	120V AC 60Hz, 150W LED/CFL or 600W Incandescent/Halogen, Single Pole, 3-Way,	MACL-153M	1% - 100%
Leviton	120V AC 60Hz, 300W Electronic Low Voltage, 400 Volt Amp, Single Pole, 3-Way,	IPE04	1% - 100%
	120V AC 60Hz, 300W CFL or 600W Incandescent, 400 Volt Amp, Single Pole, 3-Way,	6673-10W	1% - 100%
	120V AC, 600W Incandescent with LED Locator, Single Pole, 3-Way	VP106	1% - 100%
	120V AC 60Hz, 500W Incandescent with LED Level Indicator, Single Pole, 3-Way	6161	1% - 100%
	120V AC, 150W LED/CFL or 600W Incandescent, Single Pole, 3-Way	6674	1% - 100%
Eaton	120V AC, 300W LED/CFL or 600W Incandescent/MLV/Halogen, Single Pole, 3-Way	TAL06P1-C1	1% - 100%
Cooper	120V AC 60Hz, 300W LED/CFL or 600W Incandescent/Halogen, Single Pole, 3-Way	SLC03P / DAL06P	1% - 100%
	120V AC 60Hz, 300W LED/CFL or 600W Incandescent, Single Pole, 3-Way, Residential	DLC03P	1% - 100%
	120V AC 60Hz, 600W Incandescent/Halogen, Single Pole, 3-Way,	RI061-VW-K2	1% - 100%
	120V AC 60Hz, 300W LED/CFL/ Incandescent/Halogen, Single Pole, 3-Way	AAL06A-C2	1% - 100%
Lightolier	120V, 260W Incandescent/Halogen, Single Pole, 3-Way,	ZP260QEW	1% - 100%

DIMMER COMPATIBILITY CHART

FOR REFERENCE ONLY

Testing conducted by ELCO Lighting is not a substitute for and does not imply certification by an independent laboratory or any other standards certification. Refer to manufacturer specifications for more detailed information on product certifications and standards. Consult the dimmer manufacturer prior to installation to ensure compatibility.

MANUFACTURER	PRODUCT	PART NUMBER	DIMMED LIGHT OUTPUT RANGE
0-10V Type Dimmers - 120/277V			
Leviton	120/277V AC, 0-10V LED/CFL Ballast, Single Pole, 3-Way	NFTV	1% - 100%
	120/277V AC, 0-10V, Single Pole, 3-Way, Commercial and Residential, Indoor Application	DVSTV	1% - 100%
	120/277V AC 50/60Hz, 0-10V LED/CFL Ballast, Single Pole, 3-Way, Indoor Application	DVTV	1% - 100%
Leviton	120/277V AC 60Hz, 0-10V LED/CFL Ballast, Single Pole, 3-Way	IP710-DL	1% - 100%

***NOTE: Refer to dimmer manufacturer's documentation for installation instructions and circuit details**

Disclaimer: Minimum and maximum loads for LEDs and CFLs are given in number of lamps and may vary depending on the lamp being used. Testing conducted by ELCO Lighting is not a substitute for and does not imply certification by an independent laboratory or any other standards certification. Refer to manufacturer specifications for more detailed information on product certifications and standards.

Integrating our lighting with your Smart Home System is a breeze. Simply check your Smart Home system for compatible smart switches and cross reference that with our Dimming Compatibility Chart.

Once the switches are integrated with your Smart Home system your lights will be ready to go.



TEAK™ LED LIGHT ENGINE

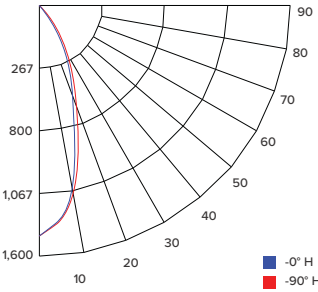
PHOTOMETRIC REPORT	CANDLE POWER SUMMARY		ILLUMINANCE AT A DISTANCE		
Product #: E2L10WF27W (with E2L08RIC) Wattage / Lumens: 9.8W / 814.6 lm Luminaire LPW: 83 lm/W	Degree Vertical	0°	Distance to Target Plane	Center Beam Footcandles	Beam Diameter
	0	864	4'	54.0	4.5'
	5	845	6'	24.0	6.7'
	15	757	8'	13.5	8.9'
	25	541	10'	8.64	11.2'
	35	227	ZONAL LUMEN SUMMARY		
	45	40			
	55	17	Zone	Lumens	%Luminaire
	65	11	0-30°	553.5	68
	75	5	0-40°	718.4	88.2
	85	1	0-60°	786.0	96.5
	90	0	0-90°	807.3	99.1

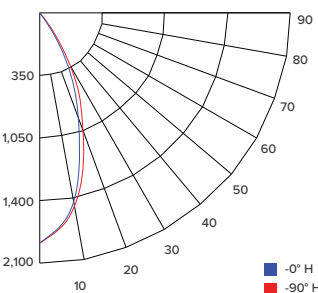
PHOTOMETRIC REPORT	CANDLE POWER SUMMARY		ILLUMINANCE AT A DISTANCE		
Product #: E2L10F30 (with E2L08RIC) Wattage / Lumens: 10.5W / 850 lm Luminaire LPW: 80 lm/W	Degree Vertical	0°	Distance to Target Plane	Center Beam Footcandles	Beam Diameter
	0	1857	5'	160	2.6'
	5	1802	7'	56.5	3.9'
	15	1242	10'	29.0	5.2'
	25	522	13'	19.5	6.6'
	35	131	ZONAL LUMEN SUMMARY		
	45	23			
	55	16	Zone	Lumens	%Luminaire
	65	10	0-30°	709.6	84.1
	75	6	0-40°	794.5	94.1
	85	2	0-60°	827.2	98
	90	0	0-90°	843.1	99.9

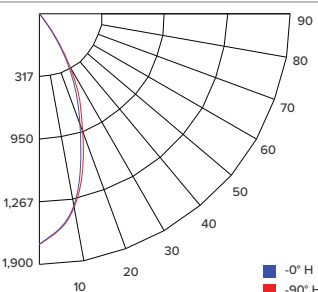
PHOTOMETRIC REPORT	CANDLE POWER SUMMARY		ILLUMINANCE AT A DISTANCE		
Product #: E2L10F30 (with E2L11RIC) Wattage / Lumens: 12W / 1100 lm Luminaire LPW: 92 lm/W	Degree Vertical	0°	Distance to Target Plane	Center Beam Footcandles	Beam Diameter
	0	2414	5'	208	2.6'
	5	2342	7'	73.4	3.9'
	15	1615	10'	37.7	5.2'
	25	679	13'	25.4	6.6'
	35	171	ZONAL LUMEN SUMMARY		
	45	30			
	55	21	Zone	Lumens	%Luminaire
	65	13	0-30°	992.5	84.1
	75	7	0-40°	1,032.8	94.1
	85	2	0-60°	1,075.4	98
	90	0	0-90°	1,096.1	99.9

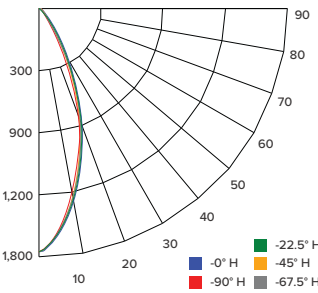
PHOTOMETRIC REPORT	CANDLE POWER SUMMARY		ILLUMINANCE AT A DISTANCE		
Product #: E2L13F30 (with E2L08RIC) Wattage / Lumens: 10.5W / 899.3 lm Luminaire LPW: 85.6 lm/W	Degree Vertical	0°	Distance to Target Plane	Center Beam Footcandles	Beam Diameter
	0	1679	5'	105	2.7'
	5	1510	7'	46.6	4.1'
	15	902	10'	26.2	5.4'
	25	382	13'	16.8	6.8'
	35	155	ZONAL LUMEN SUMMARY		
	45	66			
	55	15	Zone	Lumens	%Luminaire
	65	1	0-30°	677.7	75.4
	75	0	0-40°	803.9	89.4
	85	0	0-60°	889.3	98.9
	90	0	0-90°	892.1	99.2

TEAK™ LED LIGHT ENGINE

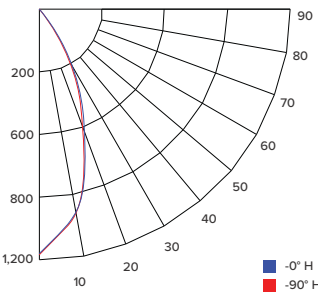
PHOTOMETRIC REPORT	CANDLE POWER SUMMARY		ILLUMINANCE AT A DISTANCE		
	Degree Vertical	0°	Distance to Target Plane	Center Beam Footcandles	Beam Diameter
Product #: E2L13FSD (with E2L08RIC) Wattage / Lumens: 10.5W / 899.3 lm Luminaire LPW: 85.6 lm/W	0	1503	4'	93.9	2.7'
	5	1351	6'	41.7	4.1'
	15	807	8'	23.5	5.4'
	25	342	10'	15.0	6.8'
	35	139	ZONAL LUMEN SUMMARY		
	45	59			
	55	13	Zone	Lumens	%Luminaire
	65	1	0-30°	606.6	75.4
	75	0	0-40°	719.4	89.4
	85	0	0-60°	795.9	98.9
	90	0	0-90°	798.4	99.2

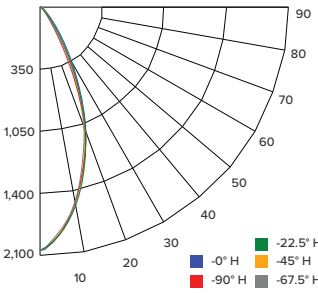
PHOTOMETRIC REPORT	CANDLE POWER SUMMARY		ILLUMINANCE AT A DISTANCE		
	Degree Vertical	0°	Distance to Target Plane	Center Beam Footcandles	Beam Diameter
Product #: E2L13F30 (with E2L11RIC) Wattage / Lumens: 12.7W / 899.3 lm Luminaire LPW: 70.8 lm/W	0	2015	4'	126	2.7'
	5	1812	6'	56.0	4.1'
	15	1082	8'	31.5	5.4'
	25	459	10'	20.2	6.8'
	35	187	ZONAL LUMEN SUMMARY		
	45	79			
	55	18	Zone	Lumens	%Luminaire
	65	1	0-30°	813.3	75.4
	75	0	0-40°	964.6	89.4
	85	0	0-60°	1,067.2	98.9
	90	0	0-90°	1,070.5	99.2

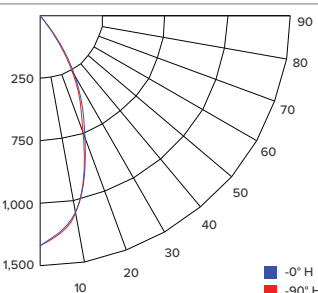
PHOTOMETRIC REPORT	CANDLE POWER SUMMARY		ILLUMINANCE AT A DISTANCE		
	Degree Vertical	0°	Distance to Target Plane	Center Beam Footcandles	Beam Diameter
Product #: E2L13FSD (with E2L11RIC) Wattage / Lumens: 12.7W / 899.3 lm Luminaire LPW: 70.8 lm/W	0	1803	4'	113	2.7'
	5	1622	6'	50.1	4.1'
	15	968	8'	28.2	5.4'
	25	411	10'	18.0	6.8'
	35	167	ZONAL LUMEN SUMMARY		
	45	71			
	55	16	Zone	Lumens	%Luminaire
	65	1	0-30°	727.9	75.4
	75	0	0-40°	863.3	89.4
	85	0	0-60°	955.1	98.9
	90	0	0-90°	958.1	99.2

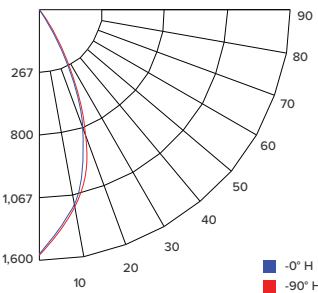
PHOTOMETRIC REPORT	CANDLE POWER SUMMARY		ILLUMINANCE AT A DISTANCE		
	Degree Vertical	0°	Distance to Target Plane	Center Beam Footcandles	Beam Diameter
Product #: E2L14F30 (with E2L08RIC) Wattage / Lumens: 10.5W / 844.5 lm Luminaire LPW: 80.4 lm/W	0	1727	4'	108	2.6'
	5	1675	6'	48.0	3.9'
	15	1155	8'	27.0	5.2'
	25	486	10'	17.3	6.6'
	35	122	ZONAL LUMEN SUMMARY		
	45	21			
	55	15	Zone	Lumens	%Luminaire
	65	10	0-30°	630.3	75.4
	75	5	0-40°	747.6	89.4
	85	2	0-60°	827.0	98.9
	90	0	0-90°	829.6	99.2

TEAK™ LED LIGHT ENGINE

PHOTOMETRIC REPORT	CANDLE POWER SUMMARY		ILLUMINANCE AT A DISTANCE		
	Degree Vertical	0°	Distance to Target Plane	Center Beam Footcandles	Beam Diameter
Product #: E2L14FSD (with E2L08RIC) Wattage / Lumens: 10.5W / 708.1lm Luminaire LPW: 67.4 lm/W	0	1184	4'	74.0	2.7'
	5	1101	6'	32.9	4.1'
	15	749	8'	18.5	5.5'
	25	358	10'	11.8	6.9'
	35	147	ZONAL LUMEN SUMMARY		
	45	59			
	55	19	Zone	Lumens	%Luminaire
	65	1	0-30°	469.4	74.4
	75	0	0-40°	562.8	89.2
	85	0	0-60°	624.9	99.1
	90	0	0-90°	99.4	99.4

PHOTOMETRIC REPORT	CANDLE POWER SUMMARY		ILLUMINANCE AT A DISTANCE		
	Degree Vertical	0°	Distance to Target Plane	Center Beam Footcandles	Beam Diameter
Product #: E2L14F30 (with E2L11RIC) Wattage / Lumens: 12.5W / 844.5 lm Luminaire LPW: 67.5 lm/W	0	2072	4'	129	2.6'
	5	2011	6'	57.6	3.9'
	15	1386	8'	32.4	5.2'
	25	583	10'	20.7	6.6'
	35	146	ZONAL LUMEN SUMMARY		
	45	25			
	55	18	Zone	Lumens	%Luminaire
	65	11	0-30°	792.0	84.1
	75	6	0-40°	886.6	94.1
	85	2	0-60°	923.1	98
	90	0	0-90°	940.9	99.9

PHOTOMETRIC REPORT	CANDLE POWER SUMMARY		ILLUMINANCE AT A DISTANCE		
	Degree Vertical	0°	Distance to Target Plane	Center Beam Footcandles	Beam Diameter
Product #: E2L14FSD (with E2L11RIC) Wattage / Lumens: 12.5W / 708.1 lm Luminaire LPW: 56.6 lm/W	0	1420	4'	88.7	2.7'
	5	1321	6'	39.4	4.1'
	15	899	8'	22.2	5.5'
	25	429	10'	14.2	6.9'
	35	177	ZONAL LUMEN SUMMARY		
	45	71			
	55	23	Zone	Lumens	%Luminaire
	65	2	0-30°	563.3	74.4
	75	0	0-40°	675.3	89.2
	85	0	0-60°	749.9	99.1
	90	0	0-90°	752.0	99.4

PHOTOMETRIC REPORT	CANDLE POWER SUMMARY		ILLUMINANCE AT A DISTANCE		
	Degree Vertical	0°	Distance to Target Plane	Center Beam Footcandles	Beam Diameter
Product #: E2L15F30 (with E2L08RIC) Wattage / Lumens: 10.5W / 899.3 lm Luminaire LPW: 86 lm/W	0	1562	4'	97.6	2.7'
	5	1404	6'	43.4	4.1'
	15	838	8'	24.4	5.4'
	25	356	10'	15.6	6.8'
	35	145	ZONAL LUMEN SUMMARY		
	45	61			
	55	14	Zone	Lumens	%Luminaire
	65	1	0-30°	630.3	75.4
	75	0	0-40°	747.6	89.4
	85	0	0-60°	827.0	98.9
	90	0	0-90°	829.6	99.2

TEAK™ LED LIGHT ENGINE

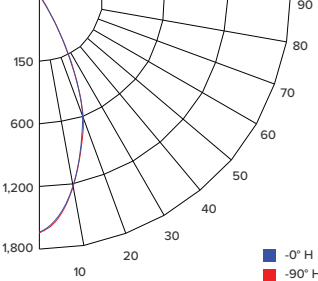
PHOTOMETRIC REPORT	CANDLE POWER SUMMARY		ILLUMINANCE AT A DISTANCE		
Product #: E2L15FSD (with E2L08RIC) Wattage / Lumens: 10.5W / 899.3lm Luminaire LPW: 86 lm/W	Degree Vertical	0°	Distance to Target Plane	Center Beam Footcandles	Beam Diameter
	0	1398	4'	87.4	2.7'
	5	1257	6'	38.8	4.1'
	15	750	8'	21.8	5.4'
	25	318	10'	14.0	6.8'
	35	129	ZONAL LUMEN SUMMARY		
	45	55			
	55	12	Zone	Lumens	%Luminaire
	65	0	0-30°	564.1	75.4
	75	0	0-40°	669.1	89.4
	85	0	0-60°	740.2	98.9
	90	0	0-90°	742.5	99.2

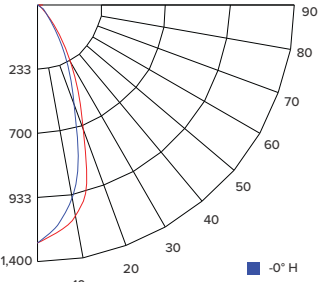
PHOTOMETRIC REPORT	CANDLE POWER SUMMARY		ILLUMINANCE AT A DISTANCE		
Product #: E2L15F30 (with E2L11RIC) Wattage / Lumens: 12.5W / 899.3 lm Luminaire LPW: 72 lm/W	Degree Vertical	0°	Distance to Target Plane	Center Beam Footcandles	Beam Diameter
	0	1874	4'	117	2.7'
	5	1685	6'	52.1	4.1'
	15	1006	8'	29.3	5.4'
	25	427	10'	18.7	6.8'
	35	174	ZONAL LUMEN SUMMARY		
	45	73			
	55	16	Zone	Lumens	%Luminaire
	65	1	0-30°	756.3	75.4
	75	0	0-40°	897.1	89.4
	85	0	0-60°	992.5	98.9
	90	0	0-90°	995.6	99.2

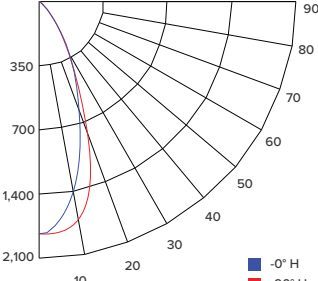
PHOTOMETRIC REPORT	CANDLE POWER SUMMARY		ILLUMINANCE AT A DISTANCE		
Product #: E2L15FSD (with E2L11RIC) Wattage / Lumens: 12.5W / 899.3 lm Luminaire LPW: 72 lm/W	Degree Vertical	0°	Distance to Target Plane	Center Beam Footcandles	Beam Diameter
	0	1677	4'	105	2.7'
	5	1508	6'	46.6	4.1'
	15	901	8'	26.2	5.4'
	25	382	10'	16.8	6.8'
	35	155	ZONAL LUMEN SUMMARY		
	45	66			
	55	15	Zone	Lumens	%Luminaire
	65	1	0-30°	676.9	75.4
	75	0	0-40°	802.9	89.4
	85	0	0-60°	888.2	98.9
	90	0	0-90°	891.0	99.2

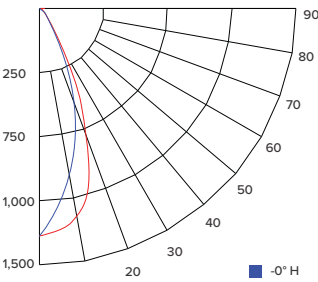
PHOTOMETRIC REPORT	CANDLE POWER SUMMARY		ILLUMINANCE AT A DISTANCE		
Product #: E2L18F30 (with E2L08RIC) Wattage / Lumens: 10.7W / 795.2 lm Luminaire LPW: 74.3 lm/W	Degree Vertical	0°	Distance to Target Plane	Center Beam Footcandles	Beam Diameter
	0	1248	4'	78.0	2.8'
	5	1171	6'	34.7	4.2'
	15	761	8'	19.5	5.7'
	25	351	10'	12.5	7.1'
	35	150	ZONAL LUMEN SUMMARY		
	45	79			
	55	43	Zone	Lumens	%Luminaire
	65	26	0-30°	520.8	65.5
	75	14	0-40°	629.9	79.2
	85	4	0-60°	735.5	92.5
	90	1	0-90°	782.6	98.5

TEAK™ LED LIGHT ENGINE

PHOTOMETRIC REPORT	CANDLE POWER SUMMARY		ILLUMINANCE AT A DISTANCE		
Product #: E2L18F30 (with E2L11RIC) Wattage / Lumens: 13.4W / 962.4lm Luminaire LPW: 71.8 lm/W	Degree Vertical	0°	Distance to Target Plane	Center Beam Footcandles	Beam Diameter
	0	1753	4'	110	2.8'
	5	1661	6'	48.7	4.2'
	15	1076	8'	27.4	5.3'
	25	480	10'	17.5	6.6'
	35	195	ZONAL LUMEN SUMMARY		
	45	91			
	55	42	Zone	Lumens	%Luminaire
	65	19	0-30°	681.4	70.8
	75	9	0-40°	808.1	84
	85	2	0-60°	916.8	95.3
	90	1	0-90°	949.2	98.7

PHOTOMETRIC REPORT	CANDLE POWER SUMMARY		ILLUMINANCE AT A DISTANCE		
Product #: E2L97F27W (with E2L08RIC) Wattage / Lumens: 9.69W / 771.3 lm Luminaire LPW: 79.5 lm/W	Degree Vertical	0°	Distance to Target Plane	Center Beam Footcandles	Beam Diameter
	0	1295	5.3'	46.1	3.5'
	5	1158	8'	20.2	5.3'
	15	690	10'	11.3	7.1'
	25	293	13'	7.32	8.9'
	35	120	ZONAL LUMEN SUMMARY		
	45	60			
	55	28	Zone	Lumens	%Luminaire
	65	15	0-30°	516.5	69.1
	75	7	0-40°	615.3	82.3
	85	1	0-60°	707.0	94.5
	90	0	0-90°	740.0	99

PHOTOMETRIC REPORT	CANDLE POWER SUMMARY		ILLUMINANCE AT A DISTANCE		
Product #: E2L97F30W (with E2L08RIC) Wattage / Lumens: 9.69W / 771.3 lm Luminaire LPW: 79.5 lm/W	Degree Vertical	0°	Distance to Target Plane	Center Beam Footcandles	Beam Diameter
	0	1335	5.3'	47.5	3.5'
	5	1194	8'	20.9	5.3'
	15	711	10'	11.7	7.1'
	25	302	13'	7.55	8.9'
	35	123	ZONAL LUMEN SUMMARY		
	45	62			
	55	29	Zone	Lumens	%Luminaire
	65	16	0-30°	532.5	69.1
	75	8	0-40°	634.4	82.3
	85	1	0-60°	728.9	94.5
	90	0	0-90°	762.9	99

PHOTOMETRIC REPORT	CANDLE POWER SUMMARY		ILLUMINANCE AT A DISTANCE		
Product #: E2L97F35W (with E2L08RIC) Wattage / Lumens: 9.69W / 771.3 lm Luminaire LPW: 79.5 lm/W	Degree Vertical	0°	Distance to Target Plane	Center Beam Footcandles	Beam Diameter
	0	1388	5.3'	49.4	3.5'
	5	1242	8'	21.7	5.3'
	15	739	10'	12.1	7.1'
	25	314	13'	7.85	8.9'
	35	128	ZONAL LUMEN SUMMARY		
	45	65			
	55	30	Zone	Lumens	%Luminaire
	65	17	0-30°	553.8	69.1
	75	8	0-40°	659.7	82.3
	85	1	0-60°	758.1	94.5
	90	0	0-90°	793.5	99

TEAK™ LED LIGHT ENGINE

PHOTOMETRIC REPORT	CANDLE POWER SUMMARY		ILLUMINANCE AT A DISTANCE		
Product #: E2L97F40W (with E2L08RIC) Wattage / Lumens: 9.69W / 771.3 lm Luminaire LPW: 79.5 lm/W	Degree Vertical	0°	Distance to Target Plane	Center Beam Footcandles	Beam Diameter
	0	1441	5.3'	51.3	3.5'
	5	1289	8'	22.5	5.3'
	15	768	10'	12.6	7.1'
	25	326	13'	8.15	8.9'
	35	133	ZONAL LUMEN SUMMARY		
	45	67			
	55	31	Zone	Lumens	%Luminaire
	65	17	0-30°	575.1	69.1
	75	8	0-40°	685.1	82.3
	85	1	0-60°	787.2	94.5
	90	0	0-90°	824.0	99

PHOTOMETRIC REPORT	CANDLE POWER SUMMARY		ILLUMINANCE AT A DISTANCE		
Product #: E2L97NF27W (with E2L08RIC) Wattage / Lumens: 9.69W / 902.6 lm Luminaire LPW: 93.1 lm/W	Degree Vertical	0°	Distance to Target Plane	Center Beam Footcandles	Beam Diameter
	0	1946	5.3'	69.3	2.9'
	5	1776	8'	30.4	4.3'
	15	854	10'	17.0	5.8'
	25	321	13'	11.0	7.2'
	35	126	ZONAL LUMEN SUMMARY		
	45	58			
	55	28	Zone	Lumens	%Luminaire
	65	19	0-30°	614.7	70.2
	75	11	0-40°	712.8	81.5
	85	5	0-60°	802.6	91.7
	90	4	0-90°	848.0	99

PHOTOMETRIC REPORT	CANDLE POWER SUMMARY		ILLUMINANCE AT A DISTANCE		
Product #: E2L97N30 (with E2L08RIC) Wattage / Lumens: 9.69W / 902.6 lm Luminaire LPW: 93 lm/W	Degree Vertical	0°	Distance to Target Plane	Center Beam Footcandles	Beam Diameter
	0	2006	4'	173.2	2.2'
	5	1831	6'	61.0	3.2'
	15	880	8'	31.3	4.3'
	25	331	10'	21.0	5.4'
	35	130	ZONAL LUMEN SUMMARY		
	45	60			
	55	31	Zone	Lumens	%Luminaire
	65	20	0-30°	633.7	70.2
	75	11	0-40°	734.9	81.5
	85	5	0-60°	827.4	91.7
	90	4	0-90°	874.2.0	96.9

PHOTOMETRIC REPORT	CANDLE POWER SUMMARY		ILLUMINANCE AT A DISTANCE		
Product #: E2L97NF35W (with E2L08RIC) Wattage / Lumens: 9.69W / 902.6 lm Luminaire LPW: 93.1 lm/W	Degree Vertical	0°	Distance to Target Plane	Center Beam Footcandles	Beam Diameter
	0	2087	5.3'	74.3	2.9'
	5	1904	8'	32.6	4.3'
	15	915	10'	18.2	5.8'
	25	344	13'	11.8	7.2'
	35	136	ZONAL LUMEN SUMMARY		
	45	63			
	55	32	Zone	Lumens	%Luminaire
	65	20	0-30°	659.1	70.2
	75	12	0-40°	764.3	81.5
	85	5	0-60°	860.5	91.7
	90	4	0-90°	909.2	96.9

TEAK™ LED LIGHT ENGINE

PHOTOMETRIC REPORT	CANDLE POWER SUMMARY		ILLUMINANCE AT A DISTANCE		
Product #: E2L97NF40W (with E2L08RIC) Wattage / Lumens: 9.69W / 902.6 lm Luminaire LPW: 93.1 lm/W	Degree Vertical	0°	Distance to Target Plane	Center Beam Footcandles	Beam Diameter
	0	2167	5.3'	77.1	2.9'
	5	1977	8'	33.9	4.3'
	15	951	10'	18.9	5.8'
	25	357	13'	12.2	7.2'
	35	141	ZONAL LUMEN SUMMARY		
	45	65			
	55	33	Zone	Lumens	%Luminaire
	65	21	0-30°	684.4	70.2
	75	12	0-40°	793.7	81.5
	85	6	0-60°	893.6	91.7
	90	4	0-90°	944.2	96.9

PHOTOMETRIC REPORT	CANDLE POWER SUMMARY		ILLUMINANCE AT A DISTANCE		
Product #: E2L97WF27W (with E2L08RIC) Wattage / Lumens: 9.69W / 876.4 lm Luminaire LPW: 90.4 lm/W	Degree Vertical	0°	Distance to Target Plane	Center Beam Footcandles	Beam Diameter
	0	881	5.3'	31.4	5.7'
	5	864	8'	13.8	8.6'
	15	754	10'	7.70	11.5'
	25	510	13'	4.98	14.3'
	35	250	ZONAL LUMEN SUMMARY		
	45	88			
	55	22	Zone	Lumens	%Luminaire
	65	11	0-30°	537.6	63.2
	75	5	0-40°	708.4	83.3
	85	1	0-60°	818.8	96.3
	90	0	0-90°	841.6	99

PHOTOMETRIC REPORT	CANDLE POWER SUMMARY		ILLUMINANCE AT A DISTANCE		
Product #: E2L97WF30W (with E2L08RIC) Wattage / Lumens: 9.69W / 876.4 lm Luminaire LPW: 90.4 lm/W	Degree Vertical	0°	Distance to Target Plane	Center Beam Footcandles	Beam Diameter
	0	908	5.3'	32.3	5.7'
	5	891	8'	14.2	8.6'
	15	777	10'	7.93	11.5'
	25	526	13'	5.14	14.3'
	35	258	ZONAL LUMEN SUMMARY		
	45	91			
	55	23	Zone	Lumens	%Luminaire
	65	11	0-30°	554.2	63.2
	75	5	0-40°	730.3	83.3
	85	1	0-60°	844.1	96.3
	90	0	0-90°	867.6	99

PHOTOMETRIC REPORT	CANDLE POWER SUMMARY		ILLUMINANCE AT A DISTANCE		
Product #: E2L97WF35W (with E2L08RIC) Wattage / Lumens: 9.69W / 876.4 lm Luminaire LPW: 90.4 lm/W	Degree Vertical	0°	Distance to Target Plane	Center Beam Footcandles	Beam Diameter
	0	945	5.3'	33.6	5.7'
	5	926	8'	14.8	8.6'
	15	808	10'	8.25	11.5'
	25	547	13'	5.34	14.3'
	35	268	ZONAL LUMEN SUMMARY		
	45	95			
	55	24	Zone	Lumens	%Luminaire
	65	11	0-30°	576.31	63.2
	75	6	0-40°	759.5	83.3
	85	1	0-60°	877.8	96.3
	90	0	0-90°	902.3	99

TEAK™ LED LIGHT ENGINE

PHOTOMETRIC REPORT	CANDLE POWER SUMMARY		ILLUMINANCE AT A DISTANCE		
Product #: E2L97WF40W (with E2L08RIC) Wattage / Lumens: 9.69W / 876.4 lm Luminaire LPW: 90.4 lm/W	Degree Vertical	0°	Distance to Target Plane	Center Beam Footcandles	Beam Diameter
	0	981	5.3'	34.9	5.7'
	5	962	8'	15.3	8.6'
	15	839	10'	8.57	11.5'
	25	568	13'	5.55	14.3'
	35	141	ZONAL LUMEN SUMMARY		
	45	98			
	55	25	Zone	Lumens	%Luminaire
	65	12	0-30°	598.5	63.2
	75	6	0-40°	788.7	83.3
	85	1	0-60°	911.6	96.3
	90	0	0-90°	937.0	99