

1" LED DOWNLIGHTS

8W, 2700K - 4000K & Sunset, 850lm -1000 lm

THE ARCHITECTURAL OAK™ SYSTEM

Small aperture downlight delivers up to 1000 lumens. More than a traditional 50W MR16 halogen lamp.

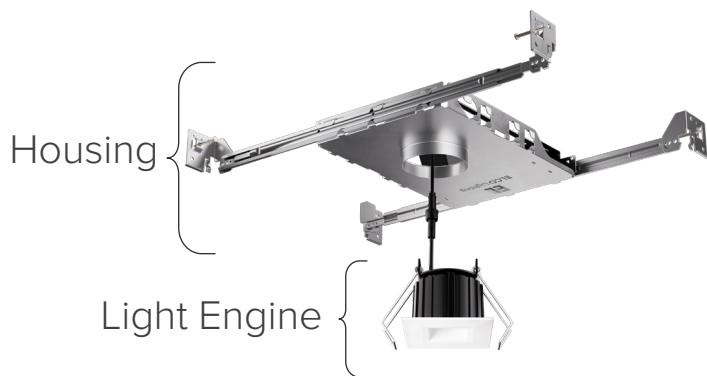


FEATURES

- IC rated for direct contact with insulation
- Works with ceilings up to 1 1/4" thickness
- JA8-2022-E, UL Listed
- Life Span 50,000 Hours L70

SET UP

1. Select a Housing or Remodel Power Pack.
2. Select a Fixed or Adjustable Light Engine.



SPECIFICATIONS

Wattage	8W
Lumens	850lm - 1000lm
Voltage	120V or 120/277V
Color Temp.	2700K, 3000K, 3500K, 4000K, Sunset
CRI	93+
Wet Location	Fixed trims
Damp Location	Adjustable trims
Dimming	Triac/ELV (5%), or 0-10V/Triac/ELV(1%)
Beam Angle	28° 38° 50°
Finishes	<input type="checkbox"/> White <input type="checkbox"/> Bronze <input type="checkbox"/> Black <input type="checkbox"/> Haze/White <input type="checkbox"/> Black/White

1. Specify housing part number

ARCHITECTURAL OAK™ IC NEW CONSTRUCTION

IC HOUSINGS Example: E1DWN08IC

	STYLE	WATTAGE	DIMMING	
E1		08		
E1	DWN Fixed ATB Adjustables TRL Trimless RLA Remodel Power Pack	08 8W	IC ◆ IC Rated AJIC Specialty IC Housing for R-60 Insulation & Chicago Plenum ¹	(Blank) ◆ 120V, Triac/ELV (5%) DX 120/277V, 0-10V/Triac/ELV (1%)
			¹ Not available for Remodel Power Pack	

◆ = ELCO's Choice

2. Specify light engine part number

ARCHITECTURAL OAK™ LIGHT ENGINES

FIXED LIGHT ENGINES Example: E1AK02F27W

ITEM	STYLE	BEAM ANGLE	COLOR TEMP	FINISH
E1AK				
E1AK ¹	02 ◆ Round Downlight ² 12 Square Downlight ² 61 Trimless Downlight ^{2,3}	F ◆ 38° NF 28° WF 50°	27 2700K 30 ◆ 3000K 35 3500K 40 4000K SD Sunset ⁴	W ◆ All White B Black/White ⁵ BZ All Bronze H Haze/White ⁵ BB All Black
¹ IC Rated	² Wet location rated ³ Requires Trimless Spack Frame, EL01SFR , (sold separately)		⁴ Sunset, dim to warm technology, automatically transitions from 3000K to 1800K when dimmed	⁵ Not available for Trimless option

◆ = ELCO's Choice

TRIMLESS SPACKLE FRAME
For use with E1AK61

ITEM	DIMENSIONS
EL01SFR	2 3/8" I.D. - 4" O.D.

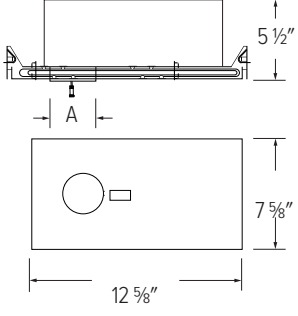

ADJUSTABLE LIGHT ENGINES Example: E1AK22F27W

ITEM	STYLE	BEAM ANGLE	COLOR TEMP	FINISH
E1AK				
E1AK ¹	22 Square Pull Down ² 32 ◆ Round Gimbal ²	F ◆ 38° NF 28° WF 50°	27 2700K 30 ◆ 3000K	W ◆ All White B All Black
¹ IC Rated	² Damp location rated			

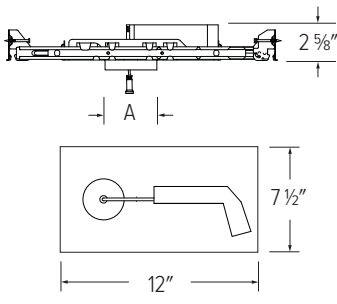

◆ = ELCO's Choice

PRODUCT DIMENSIONS

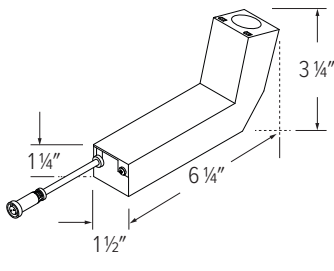

1" R60 & CHICAGO PLENUM ICA NEW CONSTRUCTION HOUSINGS

E1DWN08AJIC / DX DOWNLIGHTS	E1ATB08AJIC / DX ADJUSTABLES	E1TRL08AJIC / DX TRIMLESS	
 <p data-bbox="438 403 694 481"> E1DWN08AJIC / DX: A = 2" E1ATB08AJIC / DX: A = 2 3/8" E1TRL08AJIC / DX: A = 2 3/4" </p>			

1" IC NEW CONSTRUCTION FRAMES

E1DWN08IC / DX DOWNLIGHTS	E1ATB08IC / DX ADJUSTABLES	E1TRL08IC / DX TRIMLESS	
 <p data-bbox="470 896 710 974"> E1DWN08IC / DX: A = 2" E1ATB08IC / DX: A = 2 3/8" E1TRL08IC / DX: A = 2 3/4" </p>			

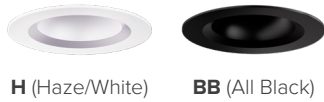
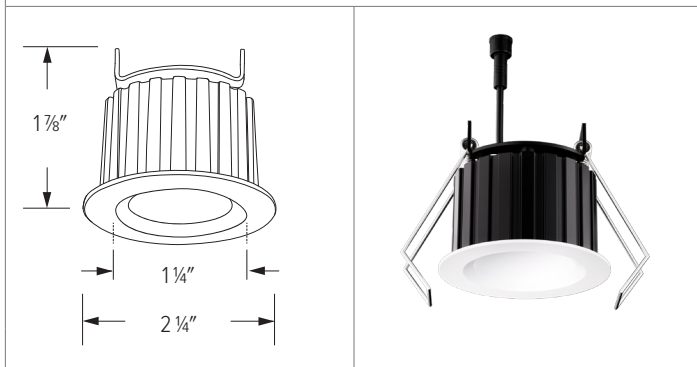
IC REMODEL POWER PACK

E1RLA08IC / DX	
	

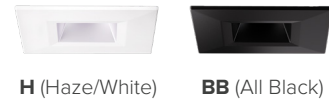
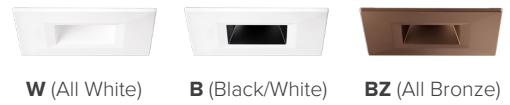
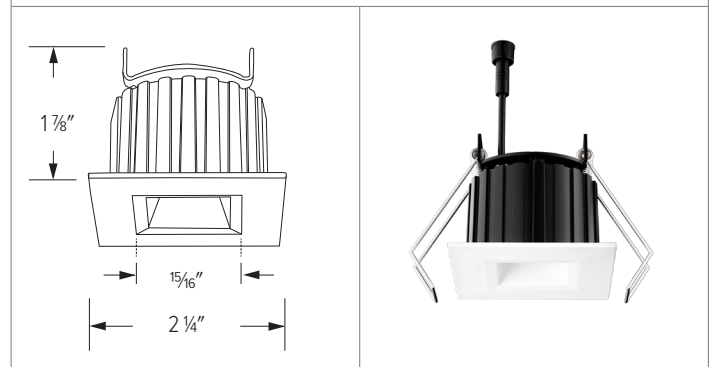
PRODUCT DIMENSIONS

ARCHITECTURAL OAK™ LIGHT ENGINES

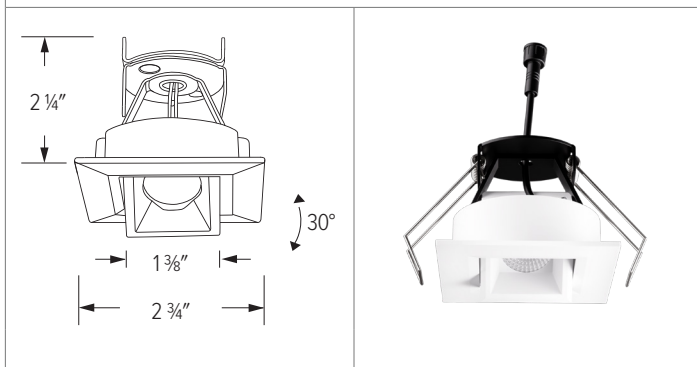
E1AK02 - 1" ROUND DOWNLIGHT



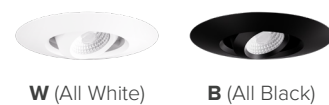
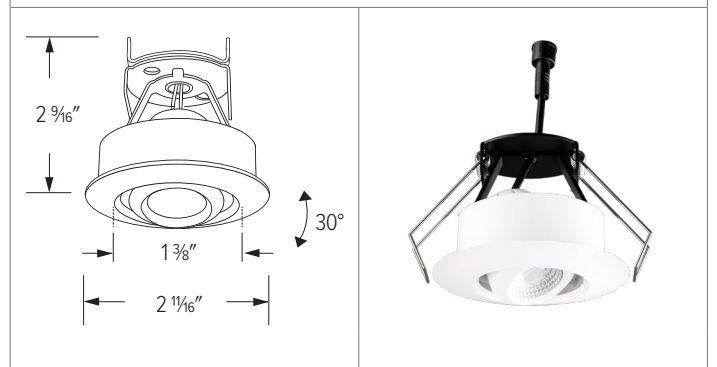
E1AK12 - 1" SQUARE DOWNLIGHT



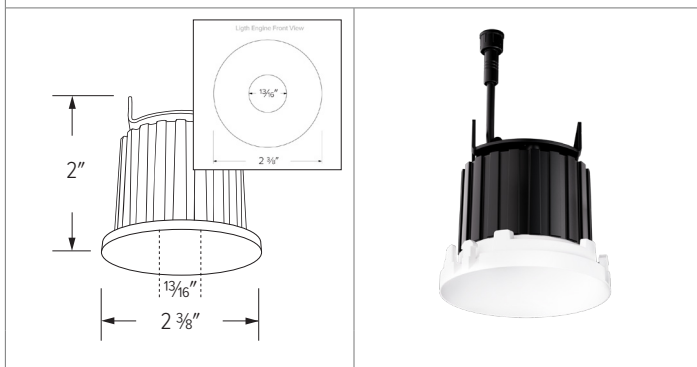
E1AK22 - 1" SQUARE PULL DOWN 30° ADJUSTABILITY



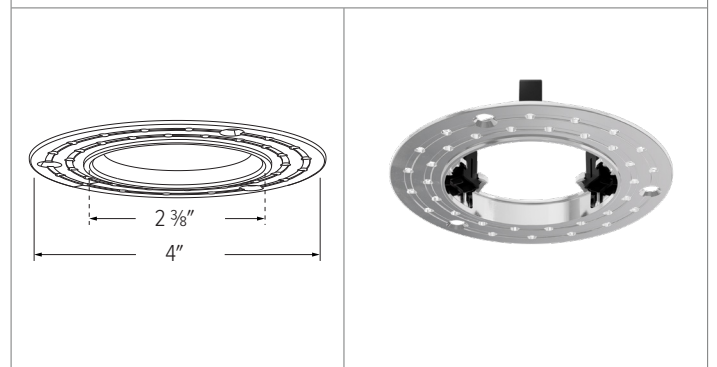
E1AK32 - 1" ROUND GIMBAL 30° ADJUSTABILITY



E1AK61 - 1" ROUND DOWNLIGHT






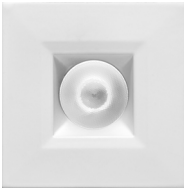


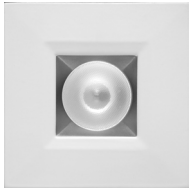
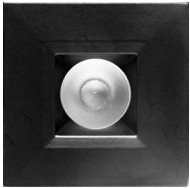


ELOSFR - 1" TRIMLESS SPACKLE FRAME






ACCESSORIES




REPLACEMENT TRIMS (for use with E1AK02 and E1AK12 only)

RM1W (All White)	RM1B (Black/ White Ring)	RM1BZ (Bronze)	RM1H (Haze/ White Ring)	RM1BB (All Black)
				
RM11W (All White)	RM11B (Black/ White Ring)	RM11BZ (Bronze)	RM11H (Haze/ White Ring)	RM11BB (All Black)
				

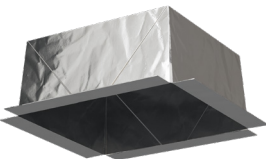


REPLACEMENT TRIMLESS (for use with E1AK61 only)

RM1TLW (All White)	RM1TLB (All Black)	RM1TLBZ (Bronze)
		

LENS & OPTICS (field changeable for E1AK02, E1AK12 & E1AK32)

EP713C / EP714C / EP715C OPTIONAL LENS	L60 FROSTED DIFFUSER	L61 HEX LOUVER
		
EP713C (28°) / EP714C (38°) / EP715C (50°)	For a softer light	For a better glare shield

FIRE RATED PRODUCTS

FIREENCL / FIREENCL-S 1-HOUR FIRE ENCLOSURE FOR RECESSED FIXTURES	FIRETAPE MICA ADHESIVE FIRE TAPE FOR FIRE ENCLOSURE	FIRECVR 2-HOUR FIRE COVER FOR RECESSED FIXTURES
		
Standard - 9" H x 20 3/8" L x 14 3/8" W Shallow (-S) - 7 1/4" H x 16" L x 14 3/8" W Provides fire barrier around recessed lights. ETL approved 1-hour fire rating. Meets UL 263, ASTM E119 Specifications. To be used with Mica Tape to seal the power feeding point. (FIRETAPE sold separately)	3/4" W x 16' L Fire proof mica adhesive tape helps seal the power feeding point on Fire Enclosure. Offers outstanding high temperature and flame resistance, and provides excellent electrical insulation.	9 3/4" H x 17" O.D. x 13" I.D. Made of heat activated intumescent material. UL approved for most ceiling types: sheetrock drywall, gypsum & acoustical tiles. UL Rated enclosure stops flame spread and heat transmission for up to 2 hours.

TECHNICAL DETAILS

Optics: PC Lens for even light distribution. Standard 38° lens. Optional 28° (EP713C) and 50° (EP715C) available.

Construction (Housing): IC rated for direct contact with insulation. For use in IC and non-IC conditions.

Construction (Light Engine): Diecast construction for lasting quality and greater heat dissipation. High-quality powder coat finish prevents rust and paint cracking.

Installation (Housing): Designed for ceiling plenums where 2x4 joists or taller are used, R60 housings require 2x6 joists or taller. High strength hanger bars can easily be nailed to joists. Suitable for T-grid and drop ceiling applications. See installation sheet for detailed information.

Installation (Light Engine): Architectural Oak™ LED Light engines require driver. Can be utilized in new construction and remodel applications.

2" cutout for downlight (E1AK02 & E1AK12)

2 3/8" cutout for adjustable (E1AK22 & E1AK32)

2 3/4" cutout for trimless (E1AK61)

Hanger Bars: Pre Installed hanger bars with True Nail easy installation in regular lumber, engineered lumber, and Laminated Beams. Integral T-bar slots for easy installation in T-Bars. Spans up 24" and can be repositioned 90°. Score lines allow for tool-free hanger bar size reduction. Integral leveling flange allows for single-person installation while easily aligning the housings with the joists.

LED Technology: Extremely accurate color rendering with 93+ CRI. Efficacy of up to 104 lumens per watt. Lumen Maintenance of 50,000 hours L70 based on LM80. Superior Thermal Management by utilizing diecast aluminum body as heat sink.

Sunset: Sunset color temperature is our dim-to-warm LED technology that allows the color temperature to become warmer as the product is dimmed. Our SUNSET items start at 3000K and go as low as 1800K when dimmed. For Sunset dim technology be sure to order an item with "Sunset" in the Color Temperature (CCT) attribute.

Electrical(Housing): Driver is rated for 120V or 120/277V input. High Efficiency driver with a power factor > 0.95.

Electrical(Light Engine): Requires driver. Driver and housing can be specified with voltage (120V or 120/277V) and dimming (ELV/Triac or 0-10V/Triac/ELV).

Compatible Housings/Delivered Lumens: Architectural Oak™ Light Engines are compatible with 120/277V, 0-10V/Triac/ELV or 120V Triac/ELV Architectural Oak™ Housings.

Delivered Lumens: 2700K: 850 lm, 3000K: 900 lm, 3500K: 950 lm, 4000K: 1000 lm, Sunset: 850 lm.

Dimming: Triac/ELV (5%) dimming or 0-10V/Triac/ELV (1%) dimming options. See dimmer compatibility sheet for details.

Listings: cUL Listed. cUL Listed for WET Location with downlights and DAMP Location for adjustable. UL Listed for direct contact with insulation. Airtight per ASTM E-283. ENERGY STAR® Qualified. California Title 24 (JA8-2016-E).

Warranty: ELCO Products are built to last with a 5-year Limited warranty.

DIMMER COMPATIBILITY CHART

FOR REFERENCE ONLY

Testing conducted by ELCO Lighting is not a substitute for and does not imply certification by an independent laboratory or any other standards certification. Refer to manufacturer specifications for more detailed information on product certifications and standards. Consult the dimmer manufacturer prior to installation to ensure compatibility.

MANUFACTURER	PRODUCT	PART NUMBER	DIMMED LIGHT OUTPUT RANGE
For Triac/ELV Dimmers			
Lutron	Caséta® Wireless Dimmer	PD-6WCL	5% - 100%
	Maestro, 120V AC, 50/60Hz, 150W LED/CFL, 600W Incandescent Halogen, Single Pole, 3-Way, Indoor Application	MA-PRO	5% - 100%
	Maestro, 120V, 50/60Hz, 150W LED/CFL, Single Pole, 3-Way	MACL-153M	5% - 100%
	Diva® Series 150W Single Pole/3-Way Dimmer	DVCL-153P	5% - 100%
	Ariadni®/Toggler® Series 150W Single Pole/3-Way Dimmer	TGCL-153P	5% - 100%
	Diva, 120V AC, 60Hz, 600W Incandescent/Halogen, Single Pole, 3-Way, Residential/Commercial Application	DV-603P	5% - 100%
	Skylark, 120V AC 60Hz, 150W LED/CFL, Single Pole, 3-Way	SCL-153P	5% - 100%
	Skylark® Series 600W Single Pole	S-600P	5% - 100%
Cooper	Slide Dimmer, 277V, 600W Fluorescent/Halogen, Single Pole, 3-Way	SAL06P	10% - 100%
Leviton	Decora SureSlide® Single Pole with Slide -to-Of	6672	10% - 100%
For DX Version Triac/ELV Dimmers			
Leviton	Decora SureSlide® Single Pole with Slide -to-Of	6672	10% - 100%
Lutron	Caséta® Wireless Dimmer	PD-6WCL	1% - 100%
	Maestro, 120V AC, 50/60Hz, 150W LED/CFL, 600W Incandescent Halogen, Single Pole, 3-Way, Indoor Application	MA-PRO	1% - 100%
	Maestro, 120V, 50/60Hz, 150W LED/CFL, Single Pole, 3-Way	MACL-153M	1% - 100%
	Diva® Series 150W Single Pole/3-Way Dimmer	DVCL-153P	1% - 100%
	Diva® Series, 120V AC 60Hz, Low Voltage Load Type, 150W Single Pole	SCL-153P	1% - 100%
	Diva, 120V AC, 60Hz, 600W Incandescent/Halogen, Single Pole, 3-Way, Residential/Commercial Application	DV-603P	1% - 100%
	Skylark, 120V AC 60Hz, 150W LED/CFL, Single Pole, 3-Way	SCL-153P	1% - 100%
	Skylark® Series 600W Single Pole	S-600P	1% - 100%
For DX Version 0-10V			
Leviton	Diva®, 120/277V, 0-10V, Single Pole, 3-Way	DVSTV	1% - 100%
Lutron	Decora Illumatech®, 120/277V, 0-10V, Fluorescent/LED Load Type, Single Pole, 3-Way	IP710	1% - 100%

***NOTE:** Refer to dimmer manufacturer's documentation for installation instructions and circuit details

Disclaimer: Minimum and maximum loads for LEDs and CFLs are given in number of lamps and may vary depending on the lamp being used. Testing conducted by ELCO Lighting is not a substitute for and does not imply certification by an independent laboratory or any other standards certification. Refer to manufacturer specifications for more detailed information on product certifications and standards.

Integrating our lighting with your Smart Home System is a breeze. Simply check your Smart Home system for compatible smart switches and cross reference that with our Dimming Compatibility Chart.

Once the switches are integrated with your Smart Home system your lights will be ready to go.



1" RECESSED ARCHITECTURAL OAK™

PHOTOMETRIC REPORT	CANDLE POWER SUMMARY		ILLUMINANCE AT A DISTANCE		
	Degree Vertical	0°	Distance to Target Plane	Center Beam Footcandles	Beam Diameter
Product #: E1AK02F27 Wattage / Lumens: 7.9W / 850 lm Luminaire LPW: 107.6 lm/W	0	1673	4'	105	2.8'
	5	1579	6'	46.5	4.1'
	15	1102	8'	26.1	5.5'
	25	454	10'	16.7	6.9'
	35	167	ZONAL LUMEN SUMMARY		
	45	41			
	55	17	Zone	Lumens	%Luminaire
	65	9	0-30°	671.4	79.3
	75	6	0-40°	780.4	92.2
	85	1	0-60°	830.6	98.1
	90	0	0-90°	846.6	100

PHOTOMETRIC REPORT	CANDLE POWER SUMMARY		ILLUMINANCE AT A DISTANCE		
	Degree Vertical	0°	Distance to Target Plane	Center Beam Footcandles	Beam Diameter
Product #: E1AK02F30 Wattage / Lumens: 8.1W / 900 lm Luminaire LPW: 111 lm/W	0	1761	4'	110	2.8'
	5	1662	6'	48.9	4.1'
	15	1160	8'	27.5	5.5'
	25	478	10'	17.6	6.9'
	35	176	ZONAL LUMEN SUMMARY		
	45	43			
	55	18	Zone	Lumens	%Luminaire
	65	10	0-30°	706.7	79.3
	75	6	0-40°	821.4	92.2
	85	1	0-60°	874.4	98.1
	90	0	0-90°	891.1	100

PHOTOMETRIC REPORT	CANDLE POWER SUMMARY		ILLUMINANCE AT A DISTANCE		
	Degree Vertical	0°	Distance to Target Plane	Center Beam Footcandles	Beam Diameter
Product #: E1AK02F35 Wattage / Lumens: 8.1W / 950 lm Luminaire LPW: 117 lm/W	0	1870	4'	117	2.8'
	5	1765	6'	51.9	4.1'
	15	1232	8'	29.2	5.5'
	25	508	10'	18.7	6.9'
	35	186	ZONAL LUMEN SUMMARY		
	45	46			
	55	19	Zone	Lumens	%Luminaire
	65	11	0-30°	750.2	79.3
	75	6	0-40°	872.0	92.2
	85	1	0-60°	928.2	98.1
	90	0	0-90°	946.0	100

PHOTOMETRIC REPORT	CANDLE POWER SUMMARY		ILLUMINANCE AT A DISTANCE		
	Degree Vertical	0°	Distance to Target Plane	Center Beam Footcandles	Beam Diameter
Product #: E1AK02F40 Wattage / Lumens: 8.1W / 1012 lm Luminaire LPW: 124.9 lm/W	0	1978	4'	124	2.8'
	5	1867	6'	54.9	4.1'
	15	1303	8'	30.9	5.5'
	25	537	10'	19.8	6.9'
	35	197	ZONAL LUMEN SUMMARY		
	45	48			
	55	20	Zone	Lumens	%Luminaire
	65	11	0-30°	793.7	79.3
	75	7	0-40°	922.5	92.2
	85	1	0-60°	982.0	98.1
	90	0	0-90°	1,000.8	100

1" RECESSED ARCHITECTURAL OAK™

PHOTOMETRIC REPORT	CANDLE POWER SUMMARY		ILLUMINANCE AT A DISTANCE		
	Degree Vertical	0°	Distance to Target Plane	Center Beam Footcandles	Beam Diameter
Product #: E1AK02FSD Wattage / Lumens: 7.9W / 850 lm Luminaire LPW: 107.6 lm/W	0	1667	4'	104	2.8'
	5	1573	6'	46.3	4.1'
	15	1098	8'	26.0	5.5'
	25	453	10'	16.7	6.9'
	35	166	ZONAL LUMEN SUMMARY		
	45	41			
	55	17	Zone	Lumens	%Luminaire
	65	9	0-30°	668.6	79.3
	75	6	0-40°	777.2	92.2
	85	1	0-60°	827.3	98.1
	90	0	0-90°	843.2	100

PHOTOMETRIC REPORT	CANDLE POWER SUMMARY		ILLUMINANCE AT A DISTANCE		
	Degree Vertical	0°	Distance to Target Plane	Center Beam Footcandles	Beam Diameter
Product #: E1AK12F27 Wattage / Lumens: 8W / 853 lm Luminaire LPW: 106.6 lm/W	0	1707	4'	107	2.7'
	5	1661	6'	47.4	4.0'
	15	1138	8'	26.7	5.4'
	25	433	10'	17.1	6.7'
	35	125	ZONAL LUMEN SUMMARY		
	45	42			
	55	24	Zone	Lumens	%Luminaire
	65	14	0-30°	678.5	79.8
	75	6	0-40°	767.3	90.3
	85	1	0-60°	827.6	97.3
	90	0	0-90°	850.1	100

PHOTOMETRIC REPORT	CANDLE POWER SUMMARY		ILLUMINANCE AT A DISTANCE		
	Degree Vertical	0°	Distance to Target Plane	Center Beam Footcandles	Beam Diameter
Product #: E1AK12F30 Wattage / Lumens: 8W / 906 lm Luminaire LPW: 113.2 lm/W	0	1813	4'	113	2.7'
	5	1765	6'	50.4	4.0'
	15	1209	8'	28.3	5.4'
	25	460	10'	18.1	6.7'
	35	133	ZONAL LUMEN SUMMARY		
	45	45			
	55	25	Zone	Lumens	%Luminaire
	65	15	0-30°	720.9	79.8
	75	7	0-40°	815.3	90.3
	85	1	0-60°	879.3	97.3
	90	0	0-90°	903.3	100

PHOTOMETRIC REPORT	CANDLE POWER SUMMARY		ILLUMINANCE AT A DISTANCE		
	Degree Vertical	0°	Distance to Target Plane	Center Beam Footcandles	Beam Diameter
Product #: E1AK12F35 Wattage / Lumens: 8W / 960 lm Luminaire LPW: 120 lm/W	0	1920	4'	120	2.7'
	5	1868	6'	53.3	4.0'
	15	1280	8'	30.0	5.4'
	25	487	10'	19.2	6.7'
	35	140	ZONAL LUMEN SUMMARY		
	45	48			
	55	27	Zone	Lumens	%Luminaire
	65	15	0-30°	763.3	79.8
	75	7	0-40°	863.2	90.3
	85	1	0-60°	931.0	97.3
	90	0	0-90°	956.4	100

1" RECESSED ARCHITECTURAL OAK™

PHOTOMETRIC REPORT	CANDLE POWER SUMMARY		ILLUMINANCE AT A DISTANCE		
	Degree Vertical	0°	Distance to Target Plane	Center Beam Footcandles	Beam Diameter
Product #: E1AK12F40 Wattage / Lumens: 8W / 1000 lm Luminaire LPW: 125 lm/W	0	1995	4'	125	2.7'
	5	1941	6'	55.4	4.0'
	15	1330	8'	31.2	5.4'
	25	506	10'	19.9	6.7'
	35	146	ZONAL LUMEN SUMMARY		
	45	49			
	55	28	Zone	Lumens	%Luminaire
	65	16	0-30°	792.9	79.8
	75	7	0-40°	896.8	90.3
	85	1	0-60°	967.2	97.3
	90	0	0-90°	993.6	100

PHOTOMETRIC REPORT	CANDLE POWER SUMMARY		ILLUMINANCE AT A DISTANCE		
	Degree Vertical	0°	Distance to Target Plane	Center Beam Footcandles	Beam Diameter
Product #: E1AK12FSD Wattage / Lumens: 8W / 850 lm Luminaire LPW: 106.2 lm/W	0	1691	4'	106	2.7'
	5	1645	6'	47.0	4.0'
	15	1127	8'	26.4	5.4'
	25	429	10'	16.9	6.7'
	35	124	ZONAL LUMEN SUMMARY		
	45	42			
	55	23	Zone	Lumens	%Luminaire
	65	14	0-30°	672.1	79.8
	75	6	0-40°	760.1	90.3
	85	1	0-60°	819.8	97.3
	90	0	0-90°	842.2	100

PHOTOMETRIC REPORT	CANDLE POWER SUMMARY		ILLUMINANCE AT A DISTANCE		
	Degree Vertical	0°	Distance to Target Plane	Center Beam Footcandles	Beam Diameter
Product #: E1AK22F27 Wattage / Lumens: 8.1W / 850 lm Luminaire LPW: 105 lm/W	0	1661	4'	104	2.8'
	5	1606	6'	46.1	4.2'
	15	1109	8'	25.9	5.6'
	25	470	10'	16.6	7.0'
	35	138	ZONAL LUMEN SUMMARY		
	45	49			
	55	17	Zone	Lumens	%Luminaire
	65	8	0-30°	675.5	79.8
	75	3	0-40°	775.7	91.7
	85	0	0-60°	833.4	98.5
	90	0	0-90°	833.4	100

PHOTOMETRIC REPORT	CANDLE POWER SUMMARY		ILLUMINANCE AT A DISTANCE		
	Degree Vertical	0°	Distance to Target Plane	Center Beam Footcandles	Beam Diameter
Product #: E1AK22F30 Wattage / Lumens: 8.1W / 897 lm Luminaire LPW: 110.7 lm/W	0	1756	4'	110	2.8'
	5	1698	6'	48.8	4.2'
	15	1173	8'	27.4	5.6'
	25	497	10'	17.6	7.0'
	35	146	ZONAL LUMEN SUMMARY		
	45	52			
	55	18	Zone	Lumens	%Luminaire
	65	8	0-30°	714.4	79.8
	75	3	0-40°	820.3	91.7
	85	0	0-60°	881.3	98.5
	90	0	0-90°	894.8	100

1" RECESSED ARCHITECTURAL OAK™

PHOTOMETRIC REPORT	CANDLE POWER SUMMARY		ILLUMINANCE AT A DISTANCE		
	Degress Vertical	0°	Distance to Target Plane	Center Beam Footcandles	Beam Diameter
Product #: E1AK32F27 Wattage / Lumens: 8.1W / 846 lm Luminaire LPW: 104 lm/W	0	1685	4'	105	2.8'
	5	1630	6'	46.8	4.2'
	15	1133	8'	26.3	5.6'
	25	489	10'	16.9	6.9'
	35	136	ZONAL LUMEN SUMMARY		
	45	42			
	55	18	Zone	Lumens	%Luminaire
	65	10	0-30°	682.9	81.2
	75	5	0-40°	773.4	91.9
	85	1	0-60°	824.0	98
	90	0	0-90°	841.3	100

PHOTOMETRIC REPORT	CANDLE POWER SUMMARY		ILLUMINANCE AT A DISTANCE		
	Degress Vertical	0°	Distance to Target Plane	Center Beam Footcandles	Beam Diameter
Product #: E1AK32F30 Wattage / Lumens: 8.1W / 900 lm Luminaire LPW: 111 lm/W	0	1795	4'	112	2.8'
	5	1737	6'	49.9	4.2'
	15	1207	8'	28.1	5.6'
	25	521	10'	18.0	6.9'
	35	145	ZONAL LUMEN SUMMARY		
	45	45			
	55	19	Zone	Lumens	%Luminaire
	65	11	0-30°	727.4	81.2
	75	6	0-40°	823.8	91.9
	85	1	0-60°	877.8	98
	90	0	0-90°	896.1	100

PHOTOMETRIC REPORT	CANDLE POWER SUMMARY		ILLUMINANCE AT A DISTANCE		
	Degress Vertical	0°	Distance to Target Plane	Center Beam Footcandles	Beam Diameter
Product #: E1AK32F35 Wattage / Lumens: 8.1W / 950 lm Luminaire LPW: 117.2 lm/W	0	1895	4'	118	2.8'
	5	1833	6'	52.6	4.2'
	15	1274	8'	29.6	5.6'
	25	550	10'	18.9	6.9'
	35	153	ZONAL LUMEN SUMMARY		
	45	47			
	55	20	Zone	Lumens	%Luminaire
	65	11	0-30°	767.7	81.2
	75	6	0-40°	869.4	91.9
	85	1	0-60°	926.4	98
	90	0	0-90°	945.8	100

PHOTOMETRIC REPORT	CANDLE POWER SUMMARY		ILLUMINANCE AT A DISTANCE		
	Degress Vertical	0°	Distance to Target Plane	Center Beam Footcandles	Beam Diameter
Product #: E1AK32F40 Wattage / Lumens: 8.1W / 1007 lm Luminaire LPW: 124.3 lm/W	0	2015	4'	126	2.8'
	5	1949	6'	56.0	4.2'
	15	1355	8'	31.5	5.6'
	25	585	10'	20.2	6.9'
	35	162	ZONAL LUMEN SUMMARY		
	45	50			
	55	22	Zone	Lumens	%Luminaire
	65	12	0-30°	816.5	81.2
	75	7	0-40°	924.7	91.9
	85	1	0-60°	985.2	98
	90	0	0-90°	1,005.8	100

1" RECESSED ARCHITECTURAL OAK™

PHOTOMETRIC REPORT	CANDLE POWER SUMMARY		ILLUMINANCE AT A DISTANCE		
	Degree Vertical	0°	Distance to Target Plane	Center Beam Footcandles	Beam Diameter
Product #: E1AK61F27 Wattage / Lumens: 7.9W / 850 lm Luminaire LPW: 107.6 lm/W	0	1673	4'	105	2.8'
	5	1579	6'	46.5	4.2'
	15	1102	8'	26.2	5.6'
	25	454	10'	16.7	6.9'
	35	167	ZONAL LUMEN SUMMARY		
	45	41			
	55	17	Zone	Lumens	%Luminaire
	65	9	0-30°	671.4	79.3
	75	6	0-40°	780.4	92.2
	85	1	0-60°	830.6	98.1
	90	0	0-90°	846.6	100

PHOTOMETRIC REPORT	CANDLE POWER SUMMARY		ILLUMINANCE AT A DISTANCE		
	Degree Vertical	0°	Distance to Target Plane	Center Beam Footcandles	Beam Diameter
Product #: E1AK61F30 Wattage / Lumens: 8.1W / 900 lm Luminaire LPW: 111 lm/W	0	1761	4'	110	2.8'
	5	1662	6'	48.9	4.1'
	15	1160	8'	27.5	5.5'
	25	478	10'	17.6	6.9'
	35	176	ZONAL LUMEN SUMMARY		
	45	43			
	55	18	Zone	Lumens	%Luminaire
	65	10	0-30°	706.7	79.3
	75	6	0-40°	821.4	92.2
	85	1	0-60°	874.4	98.1
	90	0	0-90°	891.1	100

PHOTOMETRIC REPORT	CANDLE POWER SUMMARY		ILLUMINANCE AT A DISTANCE		
	Degree Vertical	0°	Distance to Target Plane	Center Beam Footcandles	Beam Diameter
Product #: E1AK61F35 Wattage / Lumens: 8.1W / 950 lm Luminaire LPW: 117.2 lm/W	0	1870	4'	117	2.8'
	5	1765	6'	51.9	4.1'
	15	1232	8'	29.2	5.5'
	25	508	10'	18.7	6.9'
	35	186	ZONAL LUMEN SUMMARY		
	45	46			
	55	19	Zone	Lumens	%Luminaire
	65	11	0-30°	750.2	79.3
	75	6	0-40°	872.0	92.2
	85	1	0-60°	928.2	98.1
	90	0	0-90°	946.0	100

PHOTOMETRIC REPORT	CANDLE POWER SUMMARY		ILLUMINANCE AT A DISTANCE		
	Degree Vertical	0°	Distance to Target Plane	Center Beam Footcandles	Beam Diameter
Product #: E1AK61F40 Wattage / Lumens: 8.1W / 1012 lm Luminaire LPW: 124.9 lm/W	0	1978	4'	124	2.8'
	5	1867	6'	54.9	4.1'
	15	1303	8'	30.9	5.5'
	25	537	10'	19.8	6.9'
	35	197	ZONAL LUMEN SUMMARY		
	45	48			
	55	20	Zone	Lumens	%Luminaire
	65	11	0-30°	793.7	79.3
	75	7	0-40°	922.5	92.2
	85	1	0-60°	982.0	98.1
	90	0	0-90°	1,000.8	100

1" RECESSED ARCHITECTURAL OAK™

PHOTOMETRIC REPORT	CANDLE POWER SUMMARY		ILLUMINANCE AT A DISTANCE		
Product #: E1AK61FSD Wattage / Lumens: 7.9W / 850 lm Luminaire LPW: 107.6 lm/W	Degree Vertical	0°	Distance to Target Plane	Center Beam Footcandles	Beam Diameter
	0	1667	4'	104	2.8'
	5	1573	6'	46.3	4.1'
	15	1098	8'	26.0	5.5'
	25	453	10'	16.7	6.9'
	35	166	ZONAL LUMEN SUMMARY		
	45	41			
	55	17	Zone	Lumens	%Luminaire
	65	9	0-30°	668.6	79.3
	75	6	0-40°	777.2	92.2
	85	1	0-60°	827.3	98.1
	90	0	0-90°	843.2	100