

6" LED RETROFIT DOWNLIGHTS

11.4W-15.7W, 27K-50K & Sunset, 850 lm-1250 lm

THE CEDAR™ SYSTEM

The perfect lighting solution for high-end residential and light commercial projects.

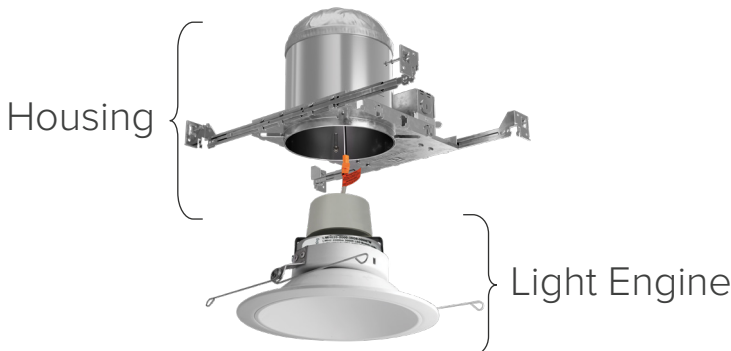


FEATURES

- IC rated for direct contact with insulation.
- Can be used in dedicated LED housings from ELCO or used to retrofit medium base (E26) housings.
- Life span of 50,000 hours L70.
- Assembled in the USA
- Limited 5 year warranty.

SET UP

1. Select a Housing.
2. Select a Light Engine.



SPECIFICATIONS

Wattage	11.4-15.7W
Lumens	850lm - 1250lm
Voltage	120V or 120/277V
Color Temp.	2700K, 3000K, 3500K, 4000K, 5000K, Sunset
CRI	93+
Wet Location	Fixed trims
Damp Location	Adjustable trims
Dimming	Triac/ELV
Beam Angle	15° 24° 38° 60°

Finishes	White
	Bronze
	Haze/ White
	Black/White
	Chrome/White
	Gold/White

1. Specify housing part number

6" NEW CONSTRUCTION DEDICATED IC AIRTIGHT HOUSING

IC HOUSINGS Example: EL770ICA-7

ITEM	HOUSING	WATTAGE / VOLTAGE
EL7		
EL7	70 ◆ New Construction 70R Remodel 6F 2-Hour Fire Rated	ICA ◆ 24W MAX., 120V/277V ICA-7 Step-Down Transformer 277V to 120V
		¹ For 2-Hour Fire Rated Housing Only

◆ = ELCO's Choice

2. Specify light engine part number

CEDAR™ LIGHT ENGINES

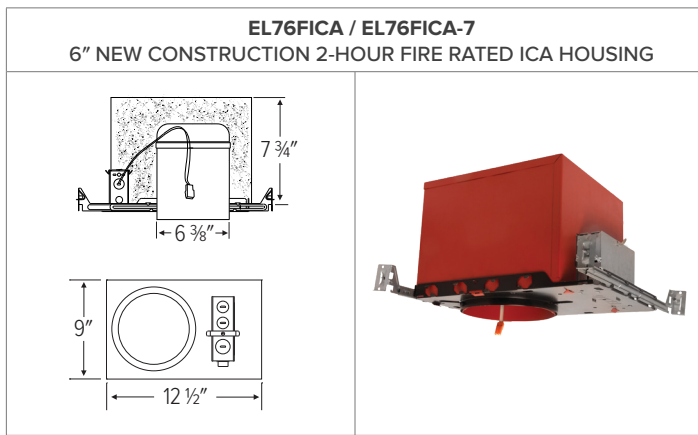
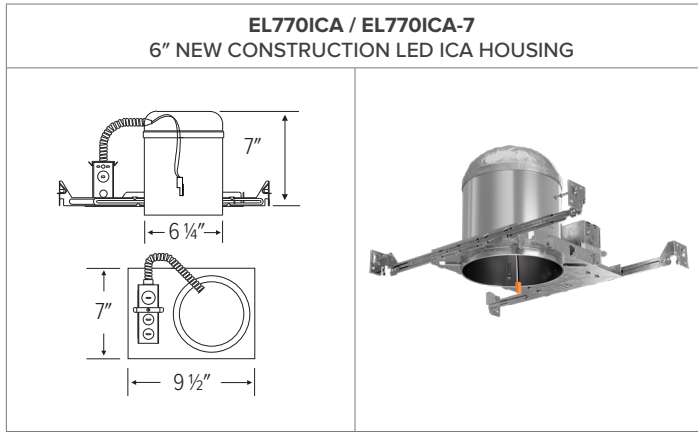
LIGHT ENGINES Example: E610R0827W-F

ITEM	STYLE	LUMEN	COLOR TEMP	FINISH	BEAM ANGLE
E6					
E6	10R ◆ Round Reflector ¹ 12R Round Drop Glass ¹ 14R Round Baffle ¹ 16R Round Adjustable Baffle ² 17R Round Adjustable Reflector ²	08 ◆ 850 lm 12 1250 lm	27 2700K 30 ◆ 3000K 35 3500K 40 4000K 50 5000K SD Sunset ³	W ◆ White B Black/White BZ Bronze H Haze ⁴ C Chrome ⁴ G Gold ⁵	(Blank) ◆ 60° -F 38° -N 24° -S 15°
	¹ Wet location rated ² Damp location rated		³ Sunset, dim to warm technology, automatically transitions from 3000K to 1800K when dimmed	⁴ Only Available for 10R, 12R, & 17R ⁵ Only Available for 12R	

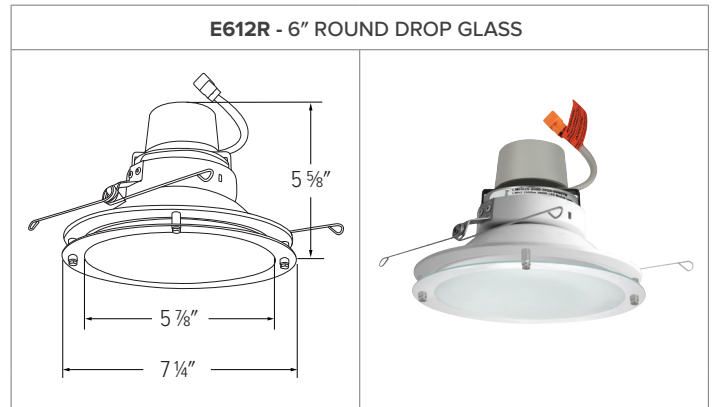
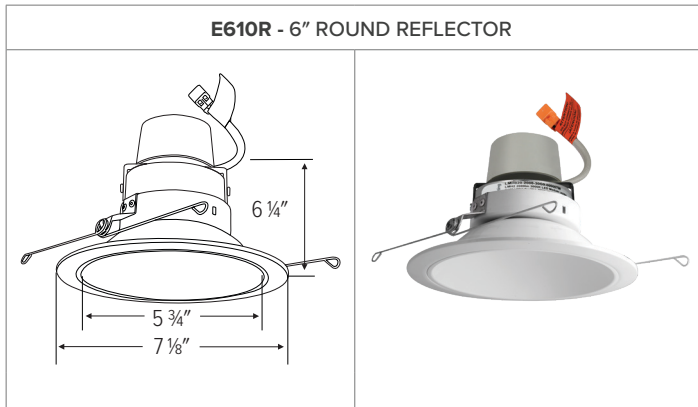
◆ = ELCO's Choice

PRODUCT DIMENSIONS

6" NEW CONSTRUCTION DEDICATED IC AIRTIGHT HOUSING

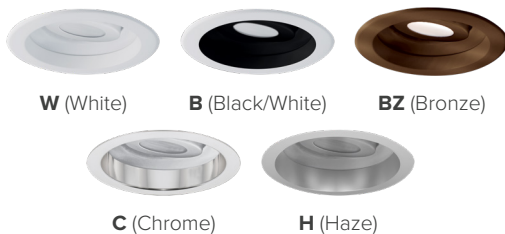
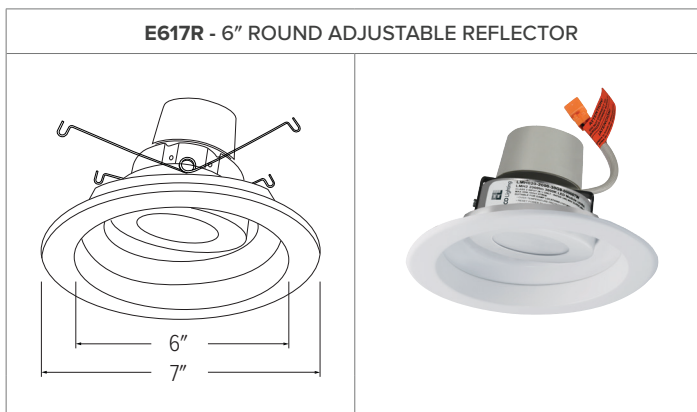
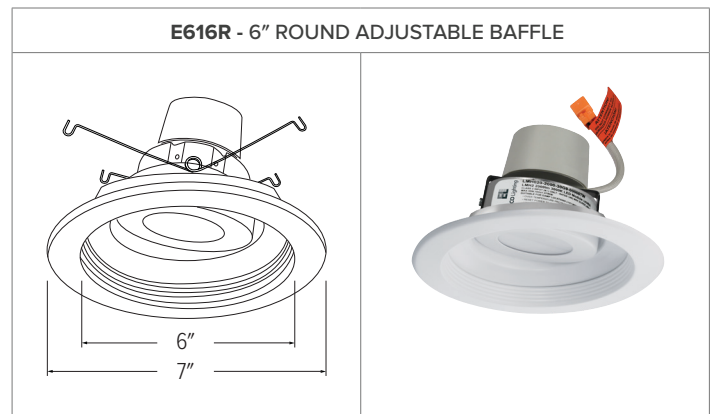
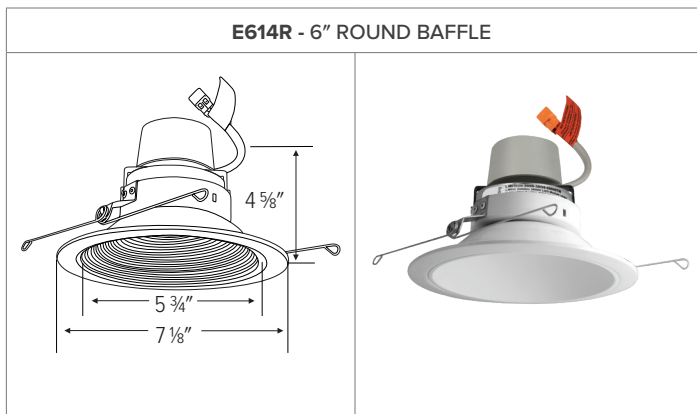


CEDAR™ LIGHT ENGINES



PRODUCT DIMENSIONS

CEDAR™ LIGHT ENGINES



ACCESSORIES

LED ADAPTERS

PSA-30	PSA-31	PSA-35	PSA-38	PSA-38-22
Socket adapter E26 to quick connector.	Socket adapter GU10 to Ideal LED connector.	Socket adapter GU24 to Ideal LED connector.	Hard wire adapter to Ideal LED connector.	Rewiring kit to Ideal LED connector.

TECHNICAL DETAILS

Optics: Frosted polycarbonate module lens diffuses light evenly throughout while reducing glare with LED technology, for 60° beam angle. PC lens is used for 15°, 24°, & 38° beam angles.

Construction (Housing): Single wall IC rated for direct contact with Insulation. For use in IC and non-IC conditions. Housing adjusts in frame to accommodate up to 1 ¼" ceiling thickness. Double wall IC rated for direct contact with Insulation. For use in IC and non-IC conditions. Housing adjusts in frame to accommodate up to 1 ½" ceiling thickness. Airtight housing with gasket to restrict airflow in accordance with ASTM E-283 air-tight requirements. Steel housing for greater heat dissipation. Stamped galvanized steel frame.

Trim Construction: Reflector is two piece trim for maximum color versatility. Design allows for minimal glare and a strong glare cut-off. Trim is constructed of metal for lasting durability.

Compatible Housings: EL76FICA, EL770ICA, EL770RICA.

Installation (Housing): Designed for ceiling plenums where 2x8 joists or taller joists are used. High strength hanger bars can easily be nailed to joists. Maximum hole cutout is 6 ¼". Suitable for T-grid and drop ceiling applications. See installation sheet for detailed information.

Junction Box: Positioned to accommodate straight conduit runs. Two ¾" knockouts, Seven ½" trade size conduit knockouts, One ⅜" knockout. Four Pry-out knockout slots for easy romex installation.

Hanger Bars: Pre Installed hanger bars with True Nail easy installation in regular lumber, engineered lumber, and Laminated Beams. Integral T-bar slots for easy installation in T-Bars. Spans up 24" and can be repositioned 90°. Score lines allow for tool-free hanger bar size reduction. Integral leveling flange allows for single-person installation while easily aligning the housings with the joists.

LED Technology: Extremely accurate Color Rendering Index of 93+. Efficacy of 97 lumens per watt. Lumen Maintenance of 50,000 hours L70 Life based on LM80 standardized test results. Superior Thermal Management by utilizing ELCO Red heat sink. Instant On to Full Brightness technology. No LED pixilation.

Sunset: Sunset color temperature is our dim-to-warm LED technology that allows the color temperature to become warmer as the product is dimmed. Our SUNSET items start at 3000K and go as low as 1800K when dimmed. For Sunset dim technology be sure to order an item with "Sunset" in the Color Temperature (CCT) attribute.

Electrical: Input Voltage: 120V AC. Inherently protected.

Emergency Battery Pack: Optional 90 minute battery pack available with test indicator switch. Note that double wall housings require Access From Above Ceiling for Battery Maintenance.

Dimmability: 3 in 1 dimming: Triac, ELV and 0-10V dimming in one driver. 0-10V dimming down to 1% with a compatible dimmer. For a full list of dimmers refer to the Dimmer Compatibility List.

Listings: cUL Listed for Damp Location and for Wet Location with select trims. cUL Listed for Direct Contact with Insulation and Combustible Material. cUL Listed for Feed Through. Airtight per ASTM E-283. RoHS Compliant. California Title 24 (JA8-2016-E).

Warranty: ELCO Products are built to last with a 5-year Limited warranty.

DIMMER COMPATIBILITY CHART

FOR REFERENCE ONLY

Testing conducted by ELCO Lighting is not a substitute for and does not imply certification by an independent laboratory or any other standards certification. Refer to manufacturer specifications for more detailed information on product certifications and standards. Consult the dimmer manufacturer prior to installation to ensure compatibility.

MANUFACTURER	PRODUCT	PART NUMBER	DIMMED LIGHT OUTPUT RANGE
Triac/ELV Type Dimmers			
Cooper	ASPIRE Decorator Single Pole/3-Way Dimmer	9573WS	10% - 100%
	DEVINE Decorator Dimmer	DI06P-A-K	10% - 100%
Legrand	Adorne® Paddle 450W Single Pole/3-Way Dimmer	ADPD453L-W2	10% - 100%
Leviton	Illumatech Single Pole/3-Way Incandescent Dimmer	IPI06	10% - 100%
	Decora Sureslide Single Pole Slide-to-Off Incandescent Dimmer	6631-LW	10% - 100%
	Decora Sureslide Single Pole/3-Way Magnetic Low Voltage Dimmer	6613-PL	8% - 100%
Lutron	Skylark® Single Pole/3-Way Incandescent/Halogen "Eco-Dim" Dimmer	S-603PG	5% - 85%
	Diva® C•L Single Pole/3-Way Dimmer	DVCL-153PR	7% - 100%
	Ariadni Single Pole/3-Way Dimmer	AY-600P-AL	10% - 100%
	Maestro® Incandescent/Halogen Digital Fade Dimmer	MRF2-600M-WH	10% - 100%
	Skylark® Single Pole/3-Way Incandescent/Halogen Dimmer	S-600P-AL	10% - 100%
	Diva® Single Pole Incandescent/Halogen Dimmer	DV-600P-WH	10% - 100%
	Nova® Single Pole Incandescent/Halogen Slide-to-Off Dimmer	N-600	10% - 100%
	Skylark® Single Pole Magnetic Low Voltage Dimmer	SLV-600-WH	8% - 100%
	Glyder® Single Pole Magnetic Low Voltage Dimmer	GLV-600-WH	8% - 100%

***NOTE: Refer to dimmer manufacturer's documentation for installation instructions and circuit details**

Disclaimer: Minimum and maximum loads for LEDs and CFLs are given in number of lamps and may vary depending on the lamp being used. Testing conducted by ELCO Lighting is not a substitute for and does not imply certification by an independent laboratory or any other standards certification. Refer to manufacturer specifications for more detailed information on product certifications and standards.

Integrating our lighting with your Smart Home System is a breeze. Simply check your Smart Home system for compatible smart switches and cross reference that with our Dimming Compatibility Chart.

Once the switches are integrated with your Smart Home system your lights will be ready to go.

