

6" LED DOWNLIGHTS

8.76W-20.6W, 27K-50K & Sunset, 850 lm-2000 lm

THE CEDAR™ SYSTEM

The perfect lighting solution for high-end residential and light commercial projects.



FEATURES

- IC and Non-IC options for use with and without insulation
- Optional 90 minutes, 120/277 VAC, 60Hz, Emergency Backup.
- Assembled in the USA
- 2 at the end of the item number denotes Generation 2. Please note Gen 2 and Gen 1 are not cross compatible.
- Life span of 50,000 hours L70

SPECIFICATIONS

Wattage	8.76-20.6W
Lumens	850lm - 2000lm
Voltage	120V or 120/277V
Color Temp.	2700K, 3000K, 3500K, 4000K, 5000K, Sunset
CRI	93+
Wet Location	Fixed trims
Damp Location	Adjustable trims
Dimming	Triac/ELV or 0-10V/Triac/ELV
Beam Angle	15° 24° 38° 60°

SET UP

1. Select a Housing.
2. Select a Light Engine.



Finishes	White
	Bronze
	Black
	Haze/ White
	Black/White
	Chrome/White
	Gold/White

1. Specify housing part number

6" CEDAR™ LED IC AIRTIGHT HOUSINGS

IC HOUSINGS Example: E6LC08ICA2

ITEM	HOUSING	LUMENS	DIMMING		OPTIONAL	
E6						
E6	LC ◆ New Construction	08 850 lm	ICA2 ◆	120V Triac/ELV (5%)	(Blank)	No EM
	LRC Remodel	12 ◆ 1250 lm	ICAD2	120V/277V, 0-10V/Triac/ELV (1%)	EM1	Emer. Backup up to 700 lm
	FH 2-Hour Fire Rated	16 1600 lm	ICASD2	120V/277V, 0-10V/Triac/ELV, Sunset (5%)	EM2	Emer. Backup up to 1100 lm
		20 2000 lm	ICAL2	Lutron (0.1%)		

◆ = ELCO's Choice

NON-IC HOUSINGS

ITEM	HOUSING	LUMENS	DIMMING		GENERATION		OPTIONAL	
E6								
E6	LC ◆ New Construction	08 850 lm	(Blank) ◆	120V Triac/ELV	2	Gen 2	(Blank)	No EM
	LRC Remodel	12 ◆ 1250 lm	D	120V/277V 0-10V/Triac/ELV	(Blank)	Gen 1 ¹	EM1	Emer. Backup up to 700 lm
		16 1600 lm	SD	120V/277V 0-10V/Triac/ELV, Sunset			EM2	Emer. Backup up to 1100 lm
		20 2000 lm	L	Lutron				
					¹ For Sunset Dimming Only (ICASD)			

◆ = ELCO's Choice

2. Specify light engine part number

CEDAR™ LIGHT ENGINES

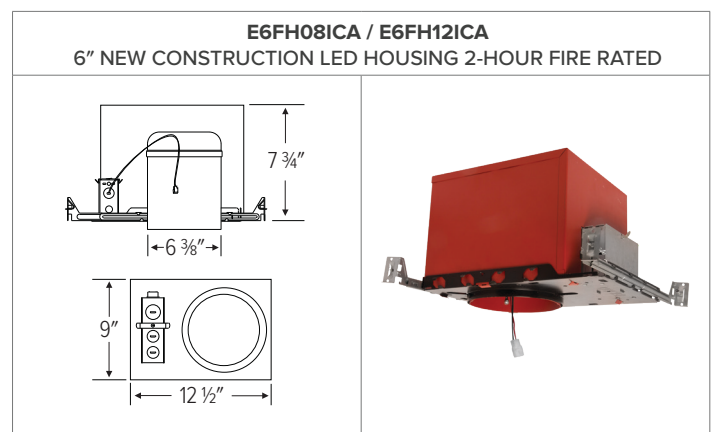
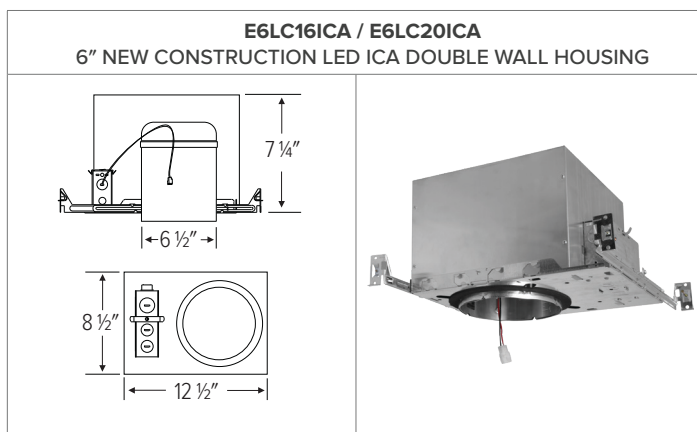
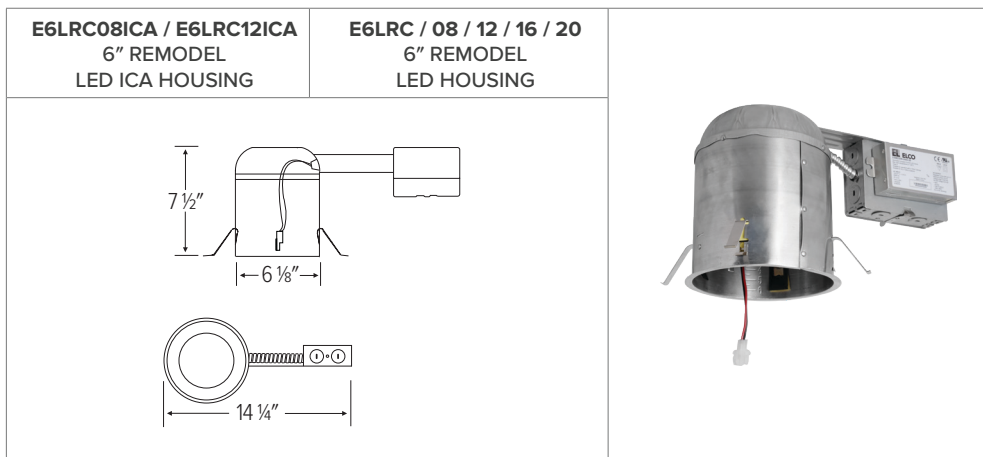
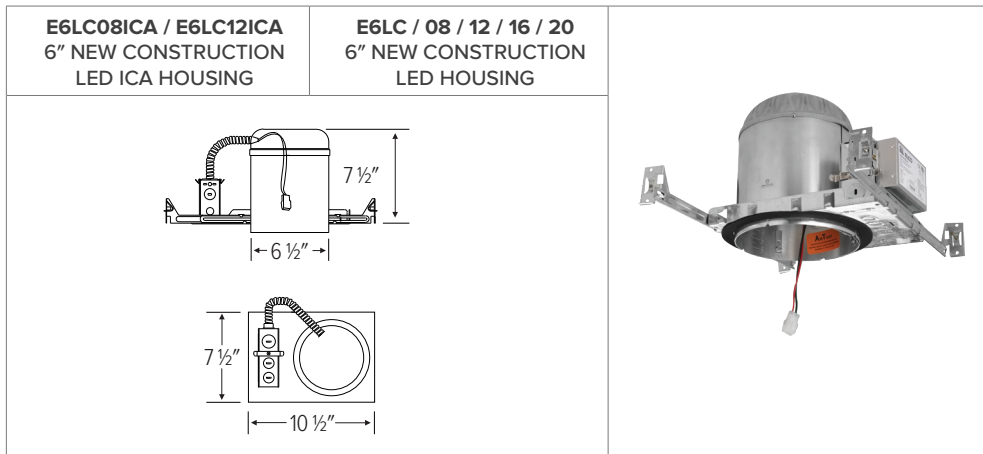
LIGHT ENGINES Example: E610C0827W2-F

ITEM	STYLE	LUMEN	COLOR TEMP		FINISH		GENERATION		BEAM ANGLE		
E6											
E6	10C ◆ Round Reflector ¹	08 850 lm	27	2700K	W ◆	All White	2	Gen 2	(Blank) ◆	60°	
	12C Round Drop Glass ¹	12 ◆ 1250 lm	30 ◆	3000K	B	Black/White		Gen 1 ⁷	-F	38°	
	14C Round Baffle ¹	16 1600 lm	35	3500K	BZ	All Bronze			-N	24°	
	16C Round Adjustable Baffle ²	20 2000 lm	40	4000K	H	Haze/White ⁴			-S	15°	
	17C Round Adjustable Reflector ²			50	5000K	BB	All Black ⁵				
				SD	Sunset ³	C	Chrome/White ⁴				
	¹ Wet location rated ² Damp location rated		³ Sunset, dim to warm technology, automatically transitions from 3000K to 1800K when dimmed		⁴ Only Available for 10C & 12C ⁵ Only Available for 14C ⁶ Only Available for 12C		⁷ For Sunset Dimming Only (SD)				

◆ = ELCO's Choice

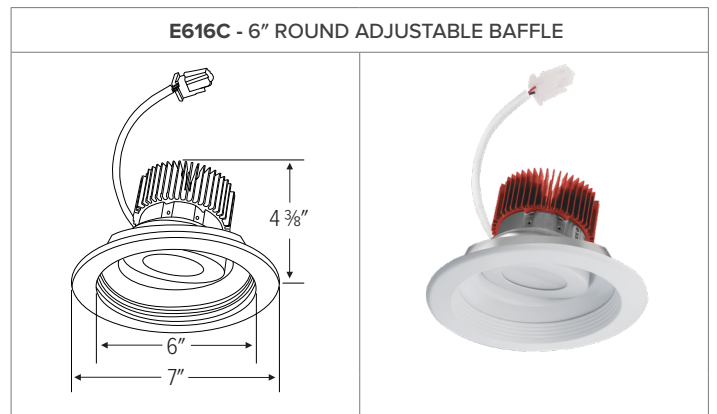
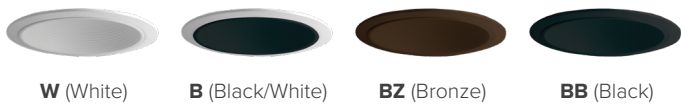
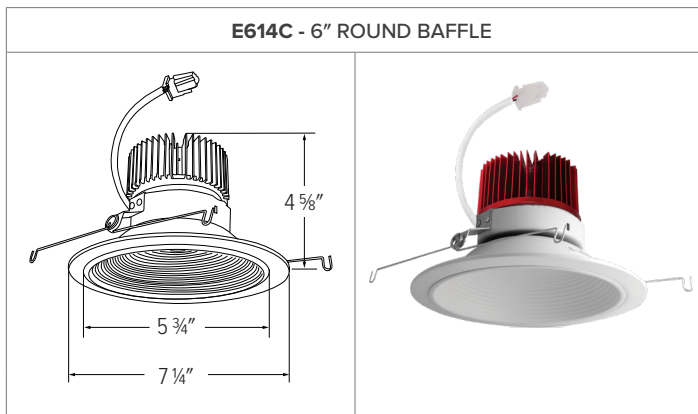
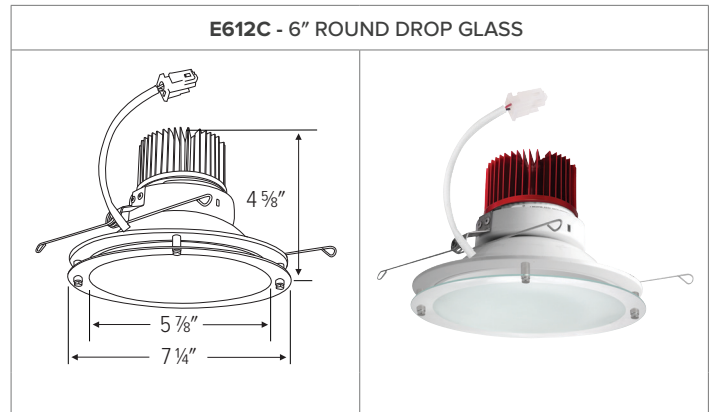
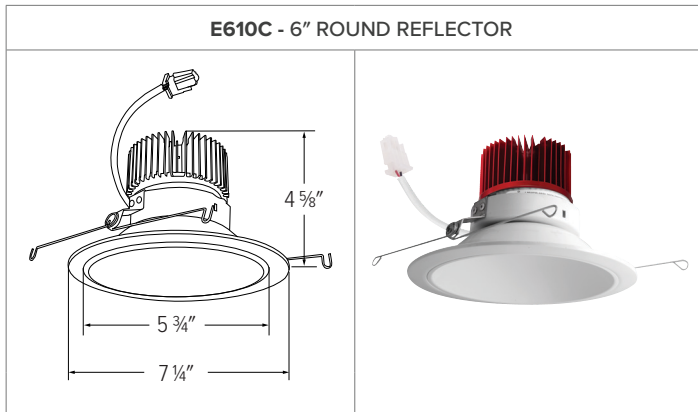
PRODUCT DIMENSIONS

6" CEDAR™ LED IC AIRTIGHT HOUSINGS





PRODUCT DIMENSIONS

CEDAR™ LIGHT ENGINES



ACCESSORIES

EMERGENCY BATTERY BACKUPS

KEM-LD1 / KEM-LD2 EMERGENCY BATTERY BACKUP (SINGLE WHIP)	KEM-LD3 / KEM-LD4 EMERGENCY BATTERY BACKUP (DOUBLE WHIP)
	
<p>KEM-LD1 (8W, Up to 750 lm Emergency Output) KEM-L 2 (12W, Up to 1100 lm Emergency Output)</p> <p>Emergency battery backup. 90 minutes of emergency light. 20V/277V AC, 60Hz.</p>	<p>KEM-LD3 (8W, Up to 750 lm Emergency Output) KEM-LD4 (12W, Up to 1100 lm Emergency Output)</p> <p>Emergency battery backup. 90 minutes of emergency light. 20V/277V AC, 60Hz.</p>

FIRE RATED PRODUCTS

FIREENCL / FIREENCL-S 1-HOUR FIRE ENCLOSURE FOR RECESSED FIXTURES	FIRETAPE MICA ADHESIVE FIRE TAPE FOR FIRE ENCLOSURE	FIRECVR 2-HOUR FIRE COVER FOR RECESSED FIXTURES
		
<p>Standard - 9" H x 20 3/8" L x 14 3/8" W Shallow (-S) - 7 1/4" H x 16" L x 14 3/8" W</p> <p>Provides fire barrier around recessed lights. ETL approved 1-hour fire rating. Meets UL 263, ASTM E119 Specifications. To be used with Mica Tape to seal the power feeding point. (FIRETAPE sold separately)</p>	<p>3/4" W x 16' L</p> <p>Fire proof mica adhesive tape helps seal the power feeding point on Fire Enclosure. Offers outstanding high temperature and flame resistance, and provides excellent electrical insulation.</p>	<p>9 3/4" H x 17" O.D. x 13" I.D.</p> <p>Made of heat activated intumescent material. UL approved for most ceiling types: sheetrock drywall, gypsum & acoustical tiles. UL Rated enclosure stops flame spread and heat transmission for up to 2 hours.</p>

TECHNICAL DETAILS

Optics: Frosted polycarbonate module lens diffuses light evenly throughout while reducing glare with LED technology, for 60° beam angle. PC lens is used for 15°, 24°, & 38° beam angles.

Construction (Housing): IC and Non-IC rated options, for use in IC and non-IC conditions. Housing adjusts in frame to accommodate up to 1 ½" ceiling thickness. Airtight housing with gasket to restrict airflow in accordance with ASTM E-283 air-tight requirements

Trim Construction: Reflector is two piece trim for maximum color versatility. Design allows for minimal glare and a strong glare cut-off. Trim is constructed of metal for lasting durability.

Installation (Housing): High strength hanger bars can easily be nailed to joists. Suitable for T-grid and drop ceiling applications. See installation sheet for detailed information.

Installation (Light Engine): Must be installed on a Cedar™ System housing with compatible lumen rating. Frames are available for New Construction and Remodel as IC or non-IC.

Junction Box: Positioned to accommodate straight conduit runs. Two ¾" knockouts, Seven ½" trade size conduit knockouts, One ⅜" knockout. Four Pry-out knockout slots for easy romex installation.

Hanger Bars: Pre Installed hanger bars with True Nail easy installation in regular lumber, engineered lumber, and Laminated Beams. Integral T-bar slots for easy installation in T-Bars. Spans up 24" and can be repositioned 90°. Score lines allow for tool-free hanger bar size reduction. Integral leveling flange allows for single-person installation while easily aligning the housings with the joists.

LED Technology: Extremely accurate Color Rendering Index of 93+. Efficacy of 97 lumens per watt. Lumen Maintenance of 50,000 hours L70 Life based on LM80 standardized test results. Superior Thermal Management by utilizing ELCO Red heat sink. Instant On to Full Brightness technology. No LED pixilation.

Sunset: Sunset color temperature is our dim-to-warm LED technology that allows the color temperature to become warmer as the product is dimmed. Our SUNSET items start at 3000K and go as low as 1800K when dimmed. For Sunset dim technology be sure to order an item with "Sunset" in the Color Temperature (CCT) attribute.

Electrical: Driver is rated for 120V and 277V input (120/277V). High Efficiency driver with a power factor > 0.95.

Emergency Battery Pack: Optional 90 minute battery pack available with test indicator switch. Note that double wall housings require Access From Above Ceiling for Battery Maintenance.

Dimmability: 3 in 1 dimming: Triac, ELV and 0-10V dimming in one driver. 0-10V dimming down to 1% with a compatible dimmer. For a full list of dimmers refer to the Dimmer Compatibility List.

Listings: cUL Listed for Damp Location and for Wet Location with select trims. cUL Listed for Direct Contact with Insulation and Combustible Material. cUL Listed for Feed Through.

Warranty: ELCO Products are built to last with a 5-year Limited warranty.

DIMMER COMPATIBILITY CHART

FOR REFERENCE ONLY

Testing conducted by ELCO Lighting is not a substitute for and does not imply certification by an independent laboratory or any other standards certification. Refer to manufacturer specifications for more detailed information on product certifications and standards. Consult the dimmer manufacturer prior to installation to ensure compatibility.

MANUFACTURER	PRODUCT	PART NUMBER	DIMMED LIGHT OUTPUT RANGE
Triac/ELV Type Dimmers			
Cooper	Decorator Dimmer, 120V 60Hz, 300W for LED and CFL, 600W for Incandescent, Single Pole, 3-Way, Polycarbonated Housing	DLC03P	10% - 100%
Leviton		1A1505 / 1C1605	10% - 100%
	120V AC 60Hz, 600W for LED and CFL, 600W for Incandescent, Single Pole, 3-Way, Polycarbonated Housing	6631 / 6633	5% - 100%
Lutron	Skylark Model, 120V AC 60Hz, 600W Incandescent/Halogen Load Type, Single Pole, 3-Way, Commercial/Residential, Indoor Application	CT-603PG / CT-600PR	10% - 100%
	Diva Model, 120V 60Hz, 600W Incandescent/Halogen Load Type, Single Pole, 3-Way, Residential Grade Application	DV-600PR / DV603PG	10% - 100%
	Diva Model, 120V AC 60Hz, 600W Incandescent/Halogen Load Type, Single Pole, 3-Way, Commercial/Residential	DVW-603PGH / DVCL-153P	10% - 100%
	Maestro Model, 120V AC 60Hz, 150W for LED and CFL, 600W for Incandescent/Halogen Load Rating, Single Pole, 3-Way, Multi-Location Operation, Commercial/Residential, Indoor Application	MACL-153M / TGCL-153P	10% - 100%
	Skylark Model, 120V AC 60Hz, 300W Incandescent/Halogen Load Type, Single Pole, 3-Way, Commercial/Residential	S-600PR / S-2-LH	5% - 100%

***NOTE: Refer to dimmer manufacturer's documentation for installation instructions and circuit details**

Disclaimer: Minimum and maximum loads for LEDs and CFLs are given in number of lamps and may vary depending on the lamp being used. Testing conducted by ELCO Lighting is not a substitute for and does not imply certification by an independent laboratory or any other standards certification. Refer to manufacturer specifications for more detailed information on product certifications and standards.

Integrating our lighting with your Smart Home System is a breeze. Simply check your Smart Home system for compatible smart switches and cross reference that with our Dimming Compatibility Chart.

Once the switches are integrated with your Smart Home system your lights will be ready to go.



DIMMER COMPATIBILITY CHART

FOR REFERENCE ONLY

Testing conducted by ELCO Lighting is not a substitute for and does not imply certification by an independent laboratory or any other standards certification. Refer to manufacturer specifications for more detailed information on product certifications and standards. Consult the dimmer manufacturer prior to installation to ensure compatibility.

MANUFACTURER	PRODUCT	PART NUMBER	DIMMED LIGHT OUTPUT RANGE
Triac/ELV Type Dimmers - 120V Only			
Cooper	120V AC 60Hz, 300W LED/CFL or 600W Incandescent/Halogen, Single Pole, 3-Way	SLC03P / DAL06P	1% - 100%
	120V AC 60Hz, 300W LED/CFL or 600W Incandescent, Single Pole, 3-Way, Residential	DLC03P	1% - 100%
	120V AC 60Hz, 600W Incandescent/Halogen, Single Pole, 3-Way,	RI061-VW-K2	1% - 100%
	120V AC 60Hz, 300W LED/CFL/ Incandescent/Halogen, Single Pole, 3-Way	AAL06A-C2	1% - 100%
Eaton	120V AC, 300W LED/CFL or 600W Incandescent/MLV/Halogen, Single Pole, 3-Way	TAL06P1-C1	1% - 100%
Lightolier	120V, 260W Incandescent/Halogen, Single Pole, 3-Way,	ZP260QEW	1% - 100%
Leviton	120V AC 60Hz, 300W Electronic Low Voltage, 400 Volt Amp, Single Pole, 3-Way,	IPE04	1% - 100%
	120V AC 60Hz, 300W CFL or 600W Incandescent, 400 Volt Amp, Single Pole, 3-Way,	6673-10W	1% - 100%
	120V AC, 600W Incandescent with LED Locator, Single Pole, 3-Way	VP106	1% - 100%
	120V AC 60Hz, 500W Incandescent with LED Level Indicator, Single Pole, 3-Way	6161	1% - 100%
	120V AC, 150W LED/CFL or 600W Incandescent, Single Pole, 3-Way	6674	1% - 100%
Lutron	120V AC, 150W LED/CFL or 600W Incandescent/Halogen, Single Pole, 3-Way	RRD-6CL	1% - 100%
	120V AC 60Hz, 150W LED/CFL/Incandescent/Halogen, Single Pole, 3-Way,	DVCL-153P	1% - 100%
	120V 60Hz, 150W LED/CFL or 600W Incandescent/Halogen, Single Pole, 3-Way	TGCL-153P	1% - 100%
	120V AC 60Hz, 300W Electronic Low Voltage, 3-Way, Commercial/Residential Application	DVELV-303P	1% - 100%
	120V, 600W Incandescent/Halogen, Single Pole, Residential Indoor Application	TG-600P	1% - 100%
	120V, 1000W Incandescent or 600W Magnetic Low Voltage, Single Pole, 3-Way	CT103P	1% - 100%
	120V AC 60Hz, 600W Electronic Low Voltage, Single Pole/Multi-Location,	MAELV600	1% - 100%
	120V AC 60Hz, 500W Electronic Low Voltage, Single Pole/Multi-Location,	FAELV500	1% - 100%
	120V AC 60Hz, 600W Incandescent/Halogen, Single Pole, Slide-to-Off Dimmer	S-600P	1% - 100%
	120V AC 60Hz, 150W LED/CFL or 600W Incandescent/Halogen, Single Pole, 3-Way	SCL-153P	1% - 100%
	Caséta® Wireless Dimmer	PD-6WCL	1% - 100%
	120V AC 60Hz, Low Voltage Load Type, 150W Single Pole	DVLV-600P	5% - 100%
	120V AC, 60Hz, 600W Incandescent/Halogen, Single Pole, 3-Way, Residential and Commercial Application	DV-603P	1% - 100%
	120V AC, 50/60Hz, 150W LED/CFL, 600W Incandescent/Halogen, Single Pole, 3-Way, Indoor Application	MA-PRO	1% - 100%
	120V AC 60Hz, 150W LED/CFL or 600W Incandescent/Halogen, Single Pole, 3-Way,	MACL-153M	1% - 100%
0-10V Type Dimmers - 120/277V			
Lutron	120/277V AC, 0-10V LED/CFL Ballast, Single Pole, 3-Way	NFTV	1% - 100%
	120/277V AC, 0-10V, Single Pole, 3-Way, Commercial and Residential, Indoor Application	DVSTV	1% - 100%
	120/277V AC 50/60Hz, 0-10V LED/CFL Ballast, Single Pole, 3-Way, Indoor Application	DVTV	1% - 100%
Leviton	120/277V AC 60Hz, 0-10V LED/CFL Ballast, Single Pole, 3-Way	IP710-DL	1% - 100%

***NOTE: Refer to dimmer manufacturer's documentation for installation instructions and circuit details**

Disclaimer: Minimum and maximum loads for LEDs and CFLs are given in number of lamps and may vary depending on the lamp being used. Testing conducted by ELCO Lighting is not a substitute for and does not imply certification by an independent laboratory or any other standards certification. Refer to manufacturer specifications for more detailed information on product certifications and standards.

Integrating our lighting with your Smart Home System is a breeze. Simply check your Smart Home system for compatible smart switches and cross reference that with our Dimming Compatibility Chart.

Once the switches are integrated with your Smart Home system your lights will be ready to go.

