

6" KOTO™ MAX DOWNLIGHTING SYSTEM

6W-32W, 2700K-4000K, Up to 3500 lm, 120-277V

THE KOTO™ MAX SYSTEM

The high quality commercial grade downlight engineered to be shallow, taking less space than a regular recessed housing. With a lumen output up to 3,500 lumen, the module offers maximum flexibility, providing designers and architects with the necessary choices when laying out a project.

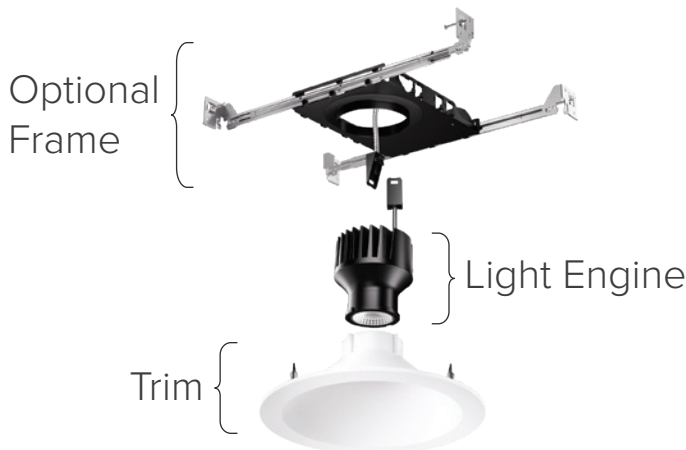


FEATURES

- Driver on frame:
120-277V, 0-10V/Triac/ELV dimming to 1%
- 18°, 25°, 38°, 60°, and 90° beam angle options
- Excellent color rendering 95+ CRI
- Title 24 JA8-2022 E-Compliant. ENERGY STAR Certified
- Covered by U.S. PATENTS and Patents Pending

SET UP

1. Select a Frame or Remodel/Retrofit power pack.
2. Select a Koto™ MAX Module.
3. Select a Trim.



SPECIFICATIONS

| | |
|---------------|------------------------------|
| Wattage | 6W - 32W |
| Lumens | 750 lm - 3500 lm |
| Voltage | 120-277V |
| Color Temp. | 2700K, 3000K, 3500K or 4000K |
| CRI | 95+ |
| Damp Location | UL Listed Adjustable Trims |
| Wet Location | UL Listed Fixed Trims |
| Dimming | 0-10V/Triac/ELV (1%) |
| Beam Angle | 18°, 25°, 38°, 60° & 90° |

Finishes

- White
- Black
- Bronze
- Black/ White
- Haze/ White

PRODUCT NUMBER BUILDER

1. Specify housing part number

6" KOTO™ MAX NEW CONSTRUCTION FRAMES

FRAMES Example: E6CKTAF12DX

| ITEM | SIZE/STYLE | FRAME | LUMEN/WATTAGE | VOLTAGE/DIMMING | EM OPTIONAL |
|----------|---|--|---|---|----------------------|
| E | | | | | |
| E | 6CKT 2" New Construction | (Blank) Plaster Frame ² | 07 750 lm / 6W ⁴ | DX 120-277V, 0-10V/Triac/ELV (1%) | (Blank) No EM |
| | | AF Architectural Frame ³ | 10 1000 lm / 8W ⁴ | | |
| | CKTRM Remodel/Retrofit ¹ | — | 12 1250 lm / 11W ⁴ | | |
| | | | 15 1500 lm / 14W ⁴ | | |
| | | | 20 2000 lm / 19W ⁵ | | |
| | | | 25 2500 lm / 23W ⁵ | | |
| | | | 30 3000 lm / 29W ⁵ | | |
| | | 35 3500 lm / 32W ⁵ | | | |
| | ¹ Remodel is available up to 2500 lm, works with all size trims, no frame. | ² Includes Hanger Bars. ³ Hanger bars ordered separately. FB27 - 27" Flat bars for wood construction. CH26 - 26" C-Channel bars for T-Bar ceiling. | ⁴ IC rated for direct contact with insulation, cUL up to 1500 lumens (14W). ⁵ Non IC, for use without insulation, or keep insulation 3" away from fixture. 2000 (19W) - 3500 (32W) lumens. | | |

2. Specify Koto™ LED Module part number (Select one)

KOTO™ MAX LED MODULE

KOTO™ MAX MODULE Example: ECKT3527D-S

| ITEM | COLOR TEMPERATURE | BEAM ANGLE |
|--|-------------------|--|
| ECKT35 | | |
| ECKT35¹ | 27D 2700K | (Blank) 38° ² |
| | 30D 3000K | -S 18° |
| | 35D 3500K | -N 25° |
| | 40D 4000K | -W 60° |
| | | -E 90° |
| ¹ ECKT35 module works with all Koto™ MAX housings & trims, for all sizes & lumen outputs. | | ² 38° installed on module with 25° & 60° included in the box. |

PRODUCT NUMBER BUILDER

3. Specify trim part number

6" KOTO™ CANLESS TRIMS

ROUND TRIMS



Style: **Fixed Deep Reflector**
Item: **EKCL6418W** (All White)
EKCL6418BB (All Black)



Style: **Adjustable Reflector**
Item: **EKCL6429W** (All White)
EKCL6429BB (All Black)
EKCL6429BZ (All Bronze)



Style: **Adjustable Pinhole**
Item: **EKCL6427W** (All White)
EKCL6427B (Black/White Ring)

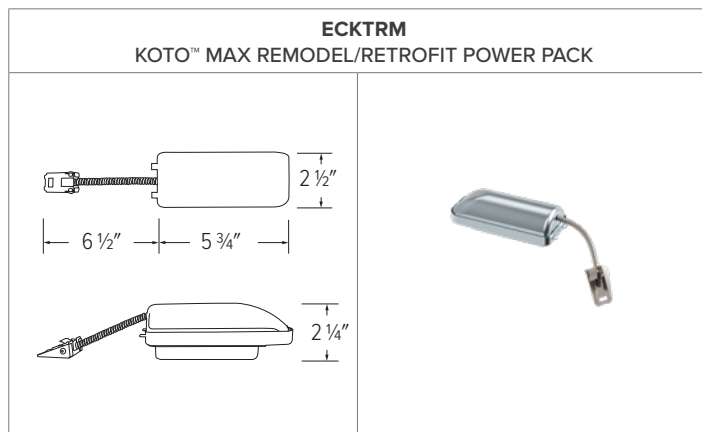
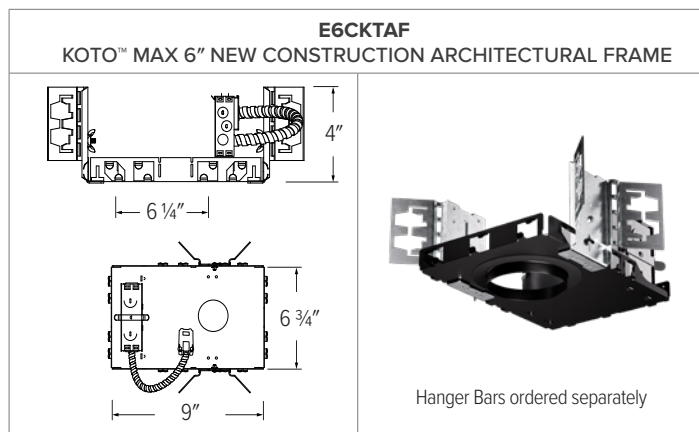
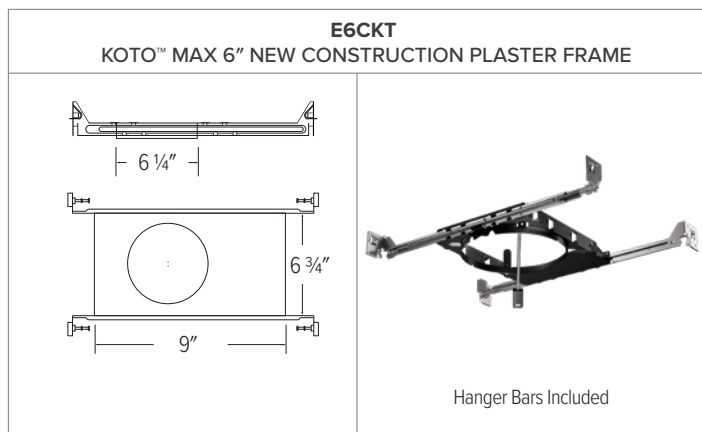
SQUARE TRIMS



Style: **Adjustable Reflector**
Item: **EKCL6829W** (All White)
EKCL6829BB (All Black)
EKCL6829H (Haze/White Ring)

PRODUCT DIMENSIONS

KOTO™ MAX FRAMES AND REMODEL/RETROFIT POWER PACK



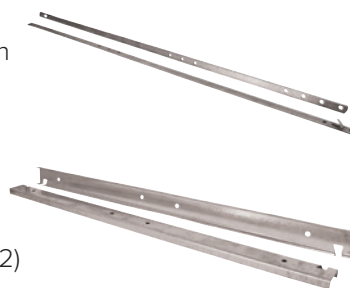
Hanger Bars for **Koto™ MAX** Architectural Frames

27" Flat Hanger Bars
for Wood Construction
(Set of 2)

FB27

26" C-Channel
Hanger Bars for
T-Bar Ceilings (Set of 2)

CH26

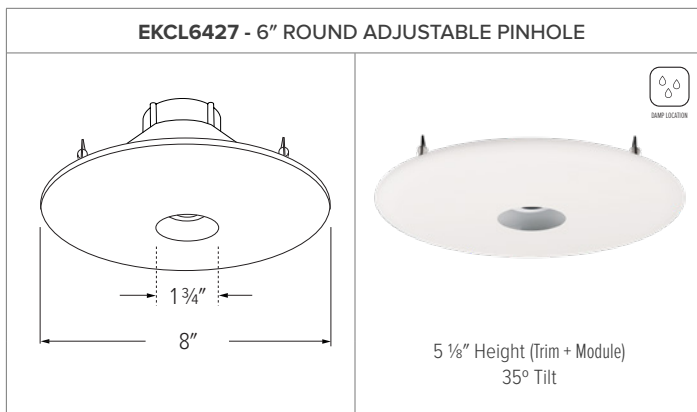
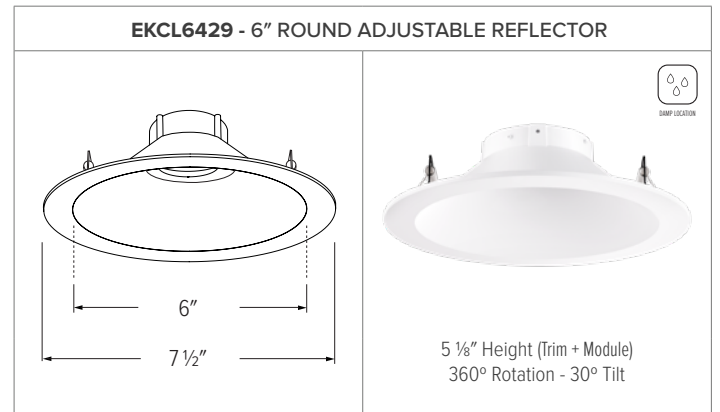
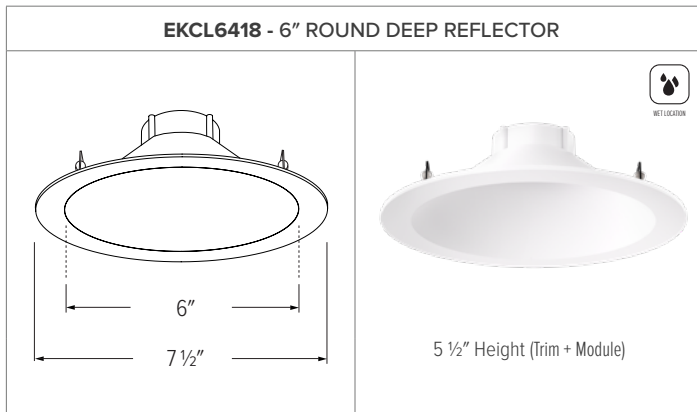


KOTO™ MAX LED LIGHT ENGINE



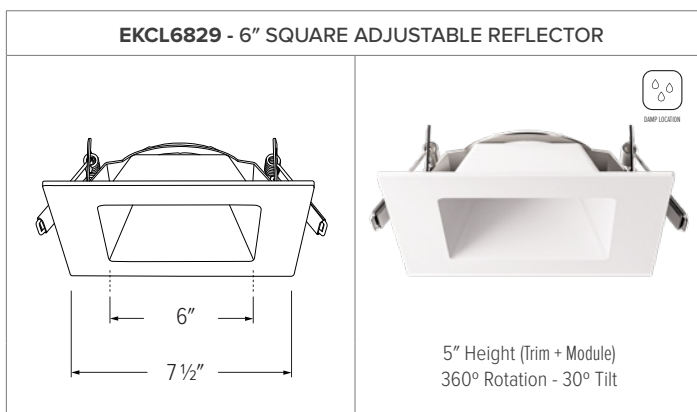
PRODUCT DIMENSIONS

KOTO™ CANLESS ROUND TRIMS



PRODUCT DIMENSIONS

KOTO™ CANLESS SQUARE TRIMS



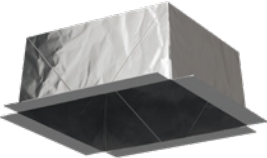


ACCESSORIES

LENS & OPTICS (field changeable)

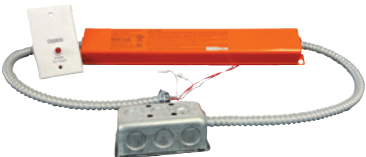
| EP731C / EP732C / EP733C / EP734C LENS INCLUDED | EP739C OPTIONAL LENS | L45 / L57 HEX LOUVER | L46 LINEAR LENS | L47 SPREAD LENS |
|---|---|---|---|---|
|  |  |  |  |  |
| 31C (18°) / 32C (25°) / 33C (38°) / 34C (60°) | (90°) | L45 (Black) / L57 (White) For a better glare shield | For a wide rectangular illumination pattern | For a symmetrical broadening of light beams |

| L49 FROSTED DIFFUSER | L51 / L52 / L53 COLOR SHIFTERS | L54 SINGLE ASYMMETRIC LENS | L55 DOUBLE ASYMMETRIC LENS | L50W / L50B SNOOTS |
|---|---|---|---|---|
|  |  |  |  |  |
| For a softer light | L51 (Color temp. reducer) / L52 (Blue) / L53 (Pink) | | | L50W (White) / L50B (Black) Reduces glare and light spill |

FIRE RATED PRODUCTS

| FIREENCL / FIREENCL-S 1-HOUR FIRE ENCLOSURE FOR RECESSED FIXTURES | FIRETAPE MICA ADHESIVE FIRE TAPE FOR FIRE ENCLOSURE | FIRECVR 2-HOUR FIRE COVER FOR RECESSED FIXTURES |
|--|---|---|
|  |  |  |
| Standard - 9" H x 20 3/8" L x 14 3/8" W Shallow (-S) - 7 1/4" H x 16" L x 14 3/8" W | 3/4" W x 16' L | 9 3/4" H x 17" O.D. x 13" I.D. |
| Provides fire barrier around recessed lights. ETL approved 1-hour fire rating. Meets UL 263, ASTM E119 Specifications. To be used with Mica Tape to seal the power feeding point. (FIRETAPE sold separately) | Fire proof mica adhesive tape helps seal the power feeding point on Fire Enclosure. Offers outstanding high temperature and flame resistance, and provides excellent electrical insulation. | Made of heat activated intumescent material. UL approved for most ceiling types: sheetrock drywall, gypsum & acoustical tiles. UL Rated enclosure stops flame spread and heat transmission for up to 2 hours. |

EMERGENCY BATTERY BACKUP

| KEM-ERT EMERGENCY BATTERY BACKUP |
|--|
|  |
| KEM-ERT 90 minutes of emergency operation. Input: 100-277VAC, 50/60Hz., 25W Max Output: 170VDC, 25W Charging time: 36 hours Suitable for damp location cUL listed |

TECHNICAL DETAILS

Optics: PC lens diffuses light evenly throughout while reducing glare with LED COB technology.

Construction: IC rated for direct contact with insulation for 750 lm (6W), 1000 lm (8W), 1250 lm (11W) & 1500 lm (14W) outputs. Non IC rated for 2000 lm (19W), 2500 lm (23W), 3000 lm (29W), & 3500 lm (32W) outputs.

Construction (Light Engine): Diecast aluminum body with heat fins allow for efficient cooling.

Installation (Frame): High strength hanger bars can easily be nailed to joists. Suitable for T-grid and drop ceiling applications. See installation sheet for detailed information.

Hanger Bars: Pre-installed hanger bars with True Nail easy installation in regular lumber, engineered lumber, and laminated beams. Integral T-bar slots for easy installation in T-bars. Spans up 24" and can be repositioned 90°. Score lines allow for tool-free hanger bar size reduction. Integral leveling flange allows for single-person installation while easily aligning the housings with the joists.

Hanger bars ordered separately for Architectural Frame. 27" Flat bars for wood construction (FB27) and 26" C-Channel bars for T-bar ceiling (CH26) available.

Installation (Light Engine): Twist-On design for tool-less trim installation, for use with Canless Koto™ trims only. Can be used with New Construction Plaster and Architectural Frames or Remodel/Retrofit Koto™ MAX Power Pack.

LED Technology: Extremely accurate Color Rendering Index (CRI) of 95+. Lumen Maintenance of 50,000 hours L70 Life span based on LM80 standardized test results. Superior Thermal Management by utilizing integrated heat sink. Instant On to Full Brightness technology. No LED pixelation.

Electrical: Driver is rated for 120-277V input. High Efficiency driver with a power factor >0.95.

Dimming: Triac/ELV/0-10V dimming (1%)

Emergency Battery Pack: Optional 25W MAX. 90 minute battery backup 2", 3", 4" & 6" accessible from below.

Listings: cUL Listed for Damp Location with Damp Location trims and Wet Location with Wet Location trims. IC Rated for direct contact with insulation up to 14W. Non-IC for 19W-32W. Light engine is thermally protected. RoHS Compliant. Title 24 JA8-2022 E-Compliant.

Warranty: ELCO Products are built to last with a 5-year Limited warranty.

DIMMER COMPATIBILITY CHART

FOR REFERENCE ONLY

Testing conducted by ELCO Lighting is not a substitute for and does not imply certification by an independent laboratory or any other standards certification. Refer to manufacturer specifications for more detailed information on product certifications and standards. Consult the dimmer manufacturer prior to installation to ensure compatibility.

| MANUFACTURER | PRODUCT | PART NUMBER | DIMMED LIGHT OUTPUT RANGE |
|--|--|-----------------|---------------------------|
| 120V - Triac/ELV Dimmers for E2CKT Series, E2CKTAF Series, E2CKTRM Series, E3CKT Series, E3CKTAF Series, E3CKTRM Series, E4CKT Series, E4CKTAF Series, E4CKTRM Series, E6CKT Series, E6CKTAF Series, E6CKTRM Series | | | |
| Leviton | 120V AC 60Hz, 300W Electronic Low Voltage, 400 Volt Amp, Single Pole, 3-Way | IPE04 | 1% - 100% |
| | 120V AC 60Hz, 300W CFL or 600W Incandescent, 400 Volt Amp, Single Pole, 3-Way | 6673-10W | 1% - 100% |
| | 120V AC, 600W Incandescent with LED Locator, Single Pole, 3-Way | VP106 | 1% - 100% |
| | 120V AC 60Hz, 500W Incandescent with LED Level Indicator, Single Pole, 3-Way | 6161 | 1% - 100% |
| | 120V AC, 150W LED/CFL or 600W Incandescent, Single Pole, 3-Way | 6674 | 1% - 100% |
| Lutron | 120V AC, 150W LED/CFL or 600W Incandescent/Halogen, Single Pole, 3-Way | RRD-6CL | 1% - 100% |
| | 120V AC 60Hz, 150W LED/CFL/Incandescent/Halogen, Single Pole, 3-Way | DVCL-153P | 1% - 100% |
| | 120V 60Hz, 150W LED/CFL or 600W Incandescent/Halogen, Single Pole, 3-Way | TGCL-153P | 1% - 100% |
| | 120V AC 60Hz, 300W Electronic Low Voltage, 3-Way, Commercial/Residential Application | DVELV-303P | 1% - 100% |
| | 120V, 600W Incandescent/Halogen, Single Pole, Residential Indoor Application | TG-600P | 1% - 100% |
| | 120V, 1000W Incandescent or 600W Magnetic Low Voltage, Single Pole, 3-Way | CT103P | 1% - 100% |
| | 120V AC 60Hz, 600W Electronic Low Voltage, Single Pole/Multi-Location | MAELV600 | 1% - 100% |
| | 120V AC 60Hz, 500W Electronic Low Voltage, Single Pole/Multi-Location | FAELV500 | 1% - 100% |
| | 120V AC 60Hz, 600W Incandescent/Halogen, Single Pole, Slide-to-Off Dimmer | S-600P | 1% - 100% |
| | 120V AC 60Hz, 150W LED/CFL or 600W Incandescent/Halogen, Single Pole, 3-Way | SCL-153P | 1% - 100% |
| | Caséta® Wireless Dimmer | PD-6WCL | 1% - 100% |
| | 120V AC 60Hz, Low Voltage Load Type, 150W Single Pole | DVLV-600P | 5% - 100% |
| | 120V AC, 60Hz, 600W Incandescent/Halogen, Single Pole, 3-Way, Residential and Commercial Application | DV-603P | 1% - 100% |
| | 120V AC, 50/60Hz, 150W LED/CFL, 600W Incandescent/Halogen, Single Pole, 3-Way, Indoor Application | MA-PRO | 1% - 100% |
| 120V AC 60Hz, 150W LED/CFL or 600W Incandescent/Halogen, Single Pole, 3-Way | MACL-153M | 1% - 100% | |
| Eaton | 120V AC, 300W LED/CFL or 600W Incandescent/MLV/Halogen, Single Pole, 3-Way | TAL06P1-C1 | 1% - 100% |
| Cooper | 120V AC 60Hz, 300W LED/CFL or 600W Incandescent/Halogen, Single Pole, 3-Way | SLC03P / DAL06P | 1% - 100% |
| | 120V AC 60Hz, 300W LED/CFL or 600W Incandescent, Single Pole, 3-Way, Residential | DLC03P | 1% - 100% |
| | 120V AC 60Hz, 600W Incandescent/Halogen, Single Pole, 3-Way | RI061-VW-K2 | 1% - 100% |
| | 120V AC 60Hz, 300W LED/CFL/ Incandescent/Halogen, Single Pole, 3-Way | AAL06A-C2 | 1% - 100% |
| Lightolier | 120V, 260W Incandescent/Halogen, Single Pole, 3-Way | ZP260QEW | 1% - 100% |

| 0-10V Type Dimmers - 120/277V for E2CKT Series, E2CKTAF Series, E2CKTRM Series, E3CKT Series, E3CKTAF Series, E3CKTRM Series, E4CKT Series, E4CKTAF Series, E4CKTRM Series, E6CKT Series, E6CKTAF Series, E6CKTRM Series | | | |
|---|--|----------|-----------|
| Lutron | 120/277V AC, 0-10V LED/CFL Ballast, Single Pole, 3-Way | NFTV | 1% - 100% |
| | 120/277V AC, 0-10V, Single Pole, 3-Way, Commercial and Residential, Indoor Application | DVSTV | 1% - 100% |
| | 120/277V AC 50/60Hz, 0-10V LED/CFL Ballast, Single Pole, 3-Way, Indoor Application | DVTV | 1% - 100% |
| Leviton | 120/277V AC 60Hz, 0-10V LED/CFL Ballast, Single Pole, 3-Way | IP710-DL | 1% - 100% |

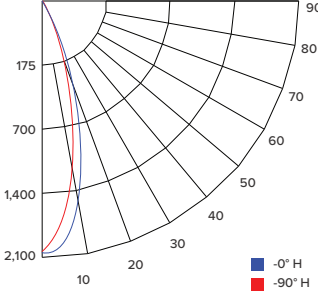
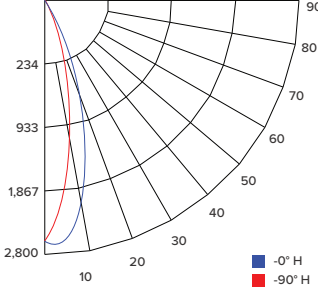
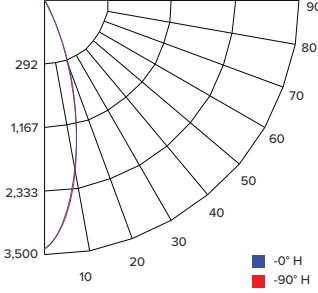
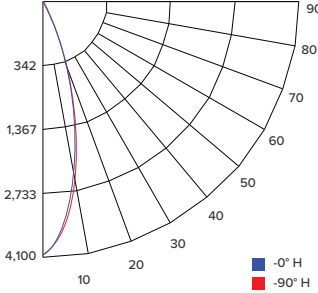
***NOTE: Refer to dimmer manufacturer's documentation for installation instructions and circuit details**

Disclaimer: Minimum and maximum loads for LEDs and CFLs are given in number of lamps and may vary depending on the lamp being used. Testing conducted by ELCO Lighting is not a substitute for and does not imply certification by an independent laboratory or any other standards certification. Refer to manufacturer specifications for more detailed information on product certifications and standards.

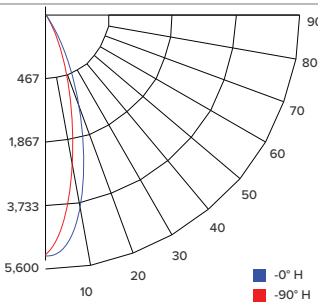
Integrating our lighting with your Smart Home System is a breeze. Simply check your Smart Home system for compatible smart switches and cross reference that with our Dimming Compatibility Chart. Once the switches are integrated with your Smart Home system your lights will be ready to go.

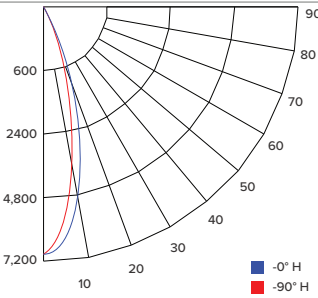


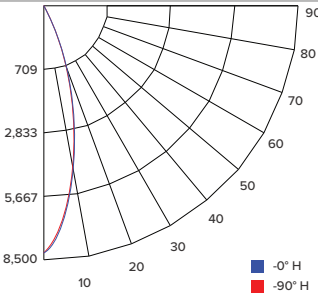
KOTO™ MAX LED MODULE

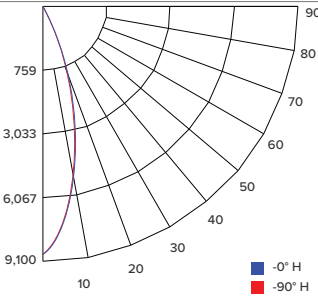
| PHOTOMETRIC REPORT | CANDLE POWER SUMMARY | | ILLUMINANCE AT A DISTANCE | | |
|--|----------------------|-------|---------------------------|-------------------------|---------------|
| Product #: ECKT3530D (EXCKT07DX) Wattage / Lumens: 5.83W / 736.6 lm Luminaire LPW: 126.35 lm/W  | Degree Vertical | 0° | Distance to Target Plane | Center Beam Footcandles | Beam Diameter |
| | 0 | 2047 | 4' | 128 | 2.3' |
| | 5 | 1987 | 6' | 56.9 | 3.4' |
| | 15 | 1279 | 8' | 32.0 | 4.5' |
| | 25 | 434 | 10' | 20.5 | 5.7' |
| | 35 | 78 | ZONAL LUMEN SUMMARY | | |
| | 45 | 34 | | | |
| | 55 | 23 | Zone | Lumens | %Luminaire |
| | 65 | 13 | 0-30° | 629.3 | 85.5 |
| | 75 | 6 | 0-40° | 672.8 | 91.4 |
| 85 | 2 | 0-60° | 716.1 | 97.3 | |
| 90 | 2 | 0-90° | 735.9 | 100 | |
| Product #: ECKT3530D (EXCKT10DX) Wattage / Lumens: 7.44W / 996.7 lm Luminaire LPW: 133.97 lm/W  | Degree Vertical | 0° | Distance to Target Plane | Center Beam Footcandles | Beam Diameter |
| | 0 | 2656 | 4' | 166 | 2.3' |
| | 5 | 2639 | 6' | 73.8 | 3.4' |
| | 15 | 1745 | 8' | 41.5 | 4.6' |
| | 25 | 638 | 10' | 26.6 | 5.7' |
| | 35 | 116 | ZONAL LUMEN SUMMARY | | |
| | 45 | 44 | | | |
| | 55 | 30 | Zone | Lumens | %Luminaire |
| | 65 | 16 | 0-30° | 849.6 | 85.3 |
| | 75 | 7 | 0-40° | 915.4 | 91.9 |
| 85 | 2 | 0-60° | 972.0 | 97.6 | |
| 90 | 2 | 0-90° | 995.8 | 100 | |
| Product #: ECKT3530D (EXCKT12DX) Wattage / Lumens: 10.11W / 1250.5 lm Luminaire LPW: 123.69 lm/W  | Degree Vertical | 0° | Distance to Target Plane | Center Beam Footcandles | Beam Diameter |
| | 0 | 3389 | 4' | 212 | 2.3 |
| | 5 | 3047 | 6' | 94.2 | 3.4 |
| | 15 | 1678 | 8' | 53.0 | 4.6 |
| | 25 | 415 | 10' | 33.9 | 5.7 |
| | 35 | 93 | ZONAL LUMEN SUMMARY | | |
| | 45 | 53 | | | |
| | 55 | 39 | Zone | Lumens | %Luminaire |
| | 65 | 26 | 0-30° | 1,033.0 | 82.6 |
| | 75 | 16 | 0-40° | 1,107.6 | 88.6 |
| 85 | 13 | 0-60° | 1,192.2 | 95.4 | |
| 90 | 12 | 0-90° | 1,249.9 | 100 | |
| Product #: ECKT3530D (EXCKT15DX) Wattage / Lumens: 12.89W / 1499.5 lm Luminaire LPW: 116.33 lm/W  | Degree Vertical | 0° | Distance to Target Plane | Center Beam Footcandles | Beam Diameter |
| | 0 | 4067 | 4' | 254 | 2.3 |
| | 5 | 3657 | 6' | 113 | 3.4 |
| | 15 | 2013 | 8' | 63.6 | 4.6 |
| | 25 | 498 | 10' | 40.7 | 5.7 |
| | 35 | 112 | ZONAL LUMEN SUMMARY | | |
| | 45 | 64 | | | |
| | 55 | 47 | Zone | Lumens | %Luminaire |
| | 65 | 31 | 0-30° | 1,239.6 | 82.6 |
| | 75 | 19 | 0-40° | 1,329.1 | 88.6 |
| 85 | 15 | 0-60° | 1,430.7 | 95.4 | |
| 90 | 14 | 0-90° | 1,499.9 | 100 | |

KOTO™ MAX LED MODULE

| PHOTOMETRIC REPORT | CANDLE POWER SUMMARY | | ILLUMINANCE AT A DISTANCE | | |
|---|----------------------|-------|----------------------------|-------------------------|---------------|
| Product #: ECKT3530D (EXCKT20DX) Wattage / Lumens: 18.3W / 1992 lm Luminaire LPW: 108.85 lm/W  | Degree Vertical | 0° | Distance to Target Plane | Center Beam Footcandles | Beam Diameter |
| | 0 | 5310 | 4' | 332 | 2.2 |
| | 5 | 5026 | 6' | 148 | 3.3 |
| | 15 | 3081 | 8' | 83.0 | 4.4 |
| | 25 | 985 | 10' | 53.1 | 5.5 |
| | 35 | 190 | ZONAL LUMEN SUMMARY | | |
| | 45 | 94 | | | |
| | 55 | 67 | Zone | Lumens | %Luminaire |
| | 65 | 40 | 0-30° | 1,665.0 | 83.6 |
| | 75 | 21 | 0-40° | 1,794.8 | 90.1 |
| 85 | 12 | 0-60° | 1,920.3 | 96.4 | |
| 90 | 12 | 0-90° | 1,991.3 | 100 | |

| PHOTOMETRIC REPORT | CANDLE POWER SUMMARY | | ILLUMINANCE AT A DISTANCE | | |
|---|----------------------|-------|----------------------------|-------------------------|---------------|
| Product #: ECKT3530D (EXCKT25DX) Wattage / Lumens: 21.76W / 2547.9 lm Luminaire LPW: 117.09 lm/W  | Degree Vertical | 0° | Distance to Target Plane | Center Beam Footcandles | Beam Diameter |
| | 0 | 7057 | 4' | 441 | 2.3 |
| | 5 | 6670 | 6' | 196 | 3.4 |
| | 15 | 4097 | 8' | 110 | 4.5 |
| | 25 | 1282 | 10' | 70.6 | 5.6 |
| | 35 | 242 | ZONAL LUMEN SUMMARY | | |
| | 45 | 116 | | | |
| | 55 | 82 | Zone | Lumens | %Luminaire |
| | 65 | 50 | 0-30° | 2,158.0 | 84.7 |
| | 75 | 26 | 0-40° | 2,309.7 | 90.7 |
| 85 | 14 | 0-60° | 2,464.4 | 96.7 | |
| 90 | 14 | 0-90° | 2,547.0 | 100 | |

| PHOTOMETRIC REPORT | CANDLE POWER SUMMARY | | ILLUMINANCE AT A DISTANCE | | |
|---|----------------------|-------|----------------------------|-------------------------|---------------|
| Product #: ECKT3530D (EXCKT30DX) Wattage / Lumens: 28.6W / 2997.8 lm Luminaire LPW: 104.82 lm/W  | Degree Vertical | 0° | Distance to Target Plane | Center Beam Footcandles | Beam Diameter |
| | 0 | 8295 | 4' | 518 | 2.3 |
| | 5 | 7488 | 6' | 230 | 3.4 |
| | 15 | 4204 | 8' | 130 | 4.5 |
| | 25 | 1168 | 10' | 82.9 | 5.7 |
| | 35 | 233 | ZONAL LUMEN SUMMARY | | |
| | 45 | 132 | | | |
| | 55 | 91 | Zone | Lumens | %Luminaire |
| | 65 | 51 | 0-30° | 2,548.4 | 85 |
| | 75 | 23 | 0-40° | 2,723.7 | 90.9 |
| 85 | 13 | 0-60° | 2,904.1 | 96.9 | |
| 90 | 12 | 0-90° | 2,996.9 | 100 | |

| PHOTOMETRIC REPORT | CANDLE POWER SUMMARY | | ILLUMINANCE AT A DISTANCE | | |
|--|----------------------|-------|----------------------------|-------------------------|---------------|
| Product #: ECKT3530D (EXCKT35DX) Wattage / Lumens: 31.55W / 3212.8 lm Luminaire LPW: 101.83 lm/W  | Degree Vertical | 0° | Distance to Target Plane | Center Beam Footcandles | Beam Diameter |
| | 0 | 8887 | 4' | 555 | 2.3 |
| | 5 | 8023 | 6' | 247 | 3.4 |
| | 15 | 4504 | 8' | 139 | 4.5 |
| | 25 | 1252 | 10' | 88.9 | 5.7 |
| | 35 | 250 | ZONAL LUMEN SUMMARY | | |
| | 45 | 141 | | | |
| | 55 | 98 | Zone | Lumens | %Luminaire |
| | 65 | 54 | 0-30° | 2,730.5 | 85 |
| | 75 | 25 | 0-40° | 2,918.2 | 90.9 |
| 85 | 14 | 0-60° | 3,111.5 | 96.9 | |
| 90 | 13 | 0-90° | 3,211.0 | 100 | |

KOTO™ MAX LED MODULE

| PHOTOMETRIC REPORT | CANDLE POWER SUMMARY | | ILLUMINANCE AT A DISTANCE | | |
|--|----------------------|------|----------------------------|-------------------------|---------------|
| | Degree Vertical | 0° | Distance to Target Plane | Center Beam Footcandles | Beam Diameter |
| Product #: ECKT3540D (EXCKT07DX) Wattage / Lumens: 5.83W / 795.8 lm Luminaire LPW: 136.5 lm/W | 0 | 2211 | 4' | 138 | 2.3 |
| | 5 | 2146 | 6' | 61.4 | 3.4 |
| | 15 | 1381 | 8' | 34.5 | 4.5 |
| | 25 | 468 | 10' | 22.1 | 5.7 |
| | 35 | 84 | ZONAL LUMEN SUMMARY | | |
| | 45 | 36 | | | |
| | 55 | 25 | Zone | Lumens | %Luminaire |
| | 65 | 14 | 0-30° | 679.6 | 85.5 |
| | 75 | 6 | 0-40° | 726.6 | 91.4 |
| | 85 | 3 | 0-60° | 773.4 | 97.3 |
| | 90 | 2 | 0-90° | 794.7 | 100 |

| PHOTOMETRIC REPORT | CANDLE POWER SUMMARY | | ILLUMINANCE AT A DISTANCE | | |
|---|----------------------|------|----------------------------|-------------------------|---------------|
| | Degree Vertical | 0° | Distance to Target Plane | Center Beam Footcandles | Beam Diameter |
| Product #: ECKT3540D (EXCKT10DX) Wattage / Lumens: 7.44W / 1076.6 lm Luminaire LPW: 144.7 lm/W | 0 | 2868 | 4' | 179 | 2.3 |
| | 5 | 2850 | 6' | 79.7 | 3.4 |
| | 15 | 1884 | 8' | 44.8 | 4.6 |
| | 25 | 690 | 10' | 28.7 | 5.7 |
| | 35 | 125 | ZONAL LUMEN SUMMARY | | |
| | 45 | 48 | | | |
| | 55 | 33 | Zone | Lumens | %Luminaire |
| | 65 | 18 | 0-30° | 917.6 | 85.3 |
| | 75 | 7 | 0-40° | 988.6 | 91.9 |
| | 85 | 3 | 0-60° | 1,049.8 | 97.6 |
| | 90 | 2 | 0-90° | 1,075.5 | 100 |

| PHOTOMETRIC REPORT | CANDLE POWER SUMMARY | | ILLUMINANCE AT A DISTANCE | | |
|---|----------------------|------|----------------------------|-------------------------|---------------|
| | Degree Vertical | 0° | Distance to Target Plane | Center Beam Footcandles | Beam Diameter |
| Product #: ECKT3540D (EXCKT12DX) Wattage / Lumens: 10.11W / 1350.5 lm Luminaire LPW: 133.58 lm/W | 0 | 3661 | 4' | 229 | 2.3 |
| | 5 | 3291 | 6' | 102 | 3.4 |
| | 15 | 1812 | 8' | 57.2 | 4.6 |
| | 25 | 448 | 10' | 36.6 | 5.7 |
| | 35 | 101 | ZONAL LUMEN SUMMARY | | |
| | 45 | 57 | | | |
| | 55 | 42 | Zone | Lumens | %Luminaire |
| | 65 | 28 | 0-30° | 1,115.6 | 82.6 |
| | 75 | 17 | 0-40° | 1,196.2 | 88.6 |
| | 85 | 14 | 0-60° | 1,287.6 | 95.4 |
| | 90 | 13 | 0-90° | 1,349.9 | 100 |

| PHOTOMETRIC REPORT | CANDLE POWER SUMMARY | | ILLUMINANCE AT A DISTANCE | | |
|---|----------------------|------|----------------------------|-------------------------|---------------|
| | Degree Vertical | 0° | Distance to Target Plane | Center Beam Footcandles | Beam Diameter |
| Product #: ECKT3540D (EXCKT15DX) Wattage / Lumens: 12.89W / 1619.6 lm Luminaire LPW: 125.65 lm/W | 0 | 4393 | 4' | 275 | 2.3 |
| | 5 | 3949 | 6' | 122 | 3.4 |
| | 15 | 2174 | 8' | 68.6 | 4.6 |
| | 25 | 538 | 10' | 43.9 | 5.7 |
| | 35 | 121 | ZONAL LUMEN SUMMARY | | |
| | 45 | 69 | | | |
| | 55 | 50 | Zone | Lumens | %Luminaire |
| | 65 | 34 | 0-30° | 1,338.7 | 82.6 |
| | 75 | 20 | 0-40° | 1,435.4 | 88.6 |
| | 85 | 16 | 0-60° | 1,545.1 | 95.4 |
| | 90 | 16 | 0-90° | 1,619.9 | 100 |

KOTO™ MAX LED MODULE

| PHOTOMETRIC REPORT | CANDLE POWER SUMMARY | | ILLUMINANCE AT A DISTANCE | | |
|--|----------------------|------|----------------------------|-------------------------|---------------|
| Product #: ECKT3540D (EXCKT20DX) Wattage / Lumens: 18.3W / 2151.9 lm Luminaire LPW: 117.59 lm/W | Degree Vertical | 0° | Distance to Target Plane | Center Beam Footcandles | Beam Diameter |
| | 0 | 5735 | 4' | 358 | 2.2 |
| | 5 | 5428 | 6' | 159 | 3.3 |
| | 15 | 3328 | 8' | 89.6 | 4.4 |
| | 25 | 1063 | 10' | 57.3 | 5.5 |
| | 35 | 205 | ZONAL LUMEN SUMMARY | | |
| | 45 | 101 | | | |
| | 55 | 72 | Zone | Lumens | %Luminaire |
| | 65 | 43 | 0-30° | 1,798.2 | 83.6 |
| | 75 | 23 | 0-40° | 1,938.4 | 90.1 |
| | 85 | 13 | 0-60° | 2,073.9 | 96.4 |
| | 90 | 13 | 0-90° | 2,150.6 | 100 |

| PHOTOMETRIC REPORT | CANDLE POWER SUMMARY | | ILLUMINANCE AT A DISTANCE | | |
|---|----------------------|------|----------------------------|-------------------------|---------------|
| Product #: ECKT3540D (EXCKT25DX) Wattage / Lumens: 21.76W / 2751.7 lm Luminaire LPW: 126.46 lm/W | Degree Vertical | 0° | Distance to Target Plane | Center Beam Footcandles | Beam Diameter |
| | 0 | 7621 | 4' | 476 | 2.3 |
| | 5 | 7204 | 6' | 212 | 3.4 |
| | 15 | 4424 | 8' | 119 | 4.5 |
| | 25 | 1385 | 10' | 76.2 | 5.6 |
| | 35 | 261 | ZONAL LUMEN SUMMARY | | |
| | 45 | 126 | | | |
| | 55 | 89 | Zone | Lumens | %Luminaire |
| | 65 | 54 | 0-30° | 2,330.6 | 84.7 |
| | 75 | 28 | 0-40° | 2,494.4 | 90.7 |
| | 85 | 16 | 0-60° | 2,661.5 | 96.7 |
| | 90 | 15 | 0-90° | 2,750.8 | 100 |

| PHOTOMETRIC REPORT | CANDLE POWER SUMMARY | | ILLUMINANCE AT A DISTANCE | | |
|--|----------------------|------|----------------------------|-------------------------|---------------|
| Product #: ECKT3540D (EXCKT30DX) Wattage / Lumens: 28.6W / 3237.6 lm Luminaire LPW: 113.20 lm/W | Degree Vertical | 0° | Distance to Target Plane | Center Beam Footcandles | Beam Diameter |
| | 0 | 8958 | 4' | 560 | 2.3 |
| | 5 | 8087 | 6' | 249 | 3.4 |
| | 15 | 4540 | 8' | 140 | 4.5 |
| | 25 | 1262 | 10' | 89.6 | 5.7 |
| | 35 | 252 | ZONAL LUMEN SUMMARY | | |
| | 45 | 142 | | | |
| | 55 | 98 | Zone | Lumens | %Luminaire |
| | 65 | 55 | 0-30° | 2,752.3 | 85 |
| | 75 | 25 | 0-40° | 2,941.6 | 90.9 |
| | 85 | 14 | 0-60° | 3,136.4 | 96.9 |
| | 90 | 13 | 0-90° | 3,236.7 | 100 |

| PHOTOMETRIC REPORT | CANDLE POWER SUMMARY | | ILLUMINANCE AT A DISTANCE | | |
|---|----------------------|------|----------------------------|-------------------------|---------------|
| Product #: ECKT3540D (EXCKT35DX) Wattage / Lumens: 31.55W / 3469.9 lm Luminaire LPW: 109.99 lm/W | Degree Vertical | 0° | Distance to Target Plane | Center Beam Footcandles | Beam Diameter |
| | 0 | 9598 | 4' | 600 | 2.3 |
| | 5 | 8665 | 6' | 267 | 3.4 |
| | 15 | 4865 | 8' | 150 | 4.5 |
| | 25 | 1352 | 10' | 96 | 5.7 |
| | 35 | 270 | ZONAL LUMEN SUMMARY | | |
| | 45 | 153 | | | |
| | 55 | 105 | Zone | Lumens | %Luminaire |
| | 65 | 59 | 0-30° | 2,948.9 | 85 |
| | 75 | 27 | 0-40° | 3,151.7 | 90.9 |
| | 85 | 15 | 0-60° | 3,360.4 | 96.9 |
| | 90 | 14 | 0-90° | 3,467.9 | 100 |