

4" LED DOWNLIGHTS

11.4W, 2700K-5000K & Sunset, 850 lm

THE CEDAR™ SYSTEM

The perfect lighting solution for high-end residential and light commercial projects.

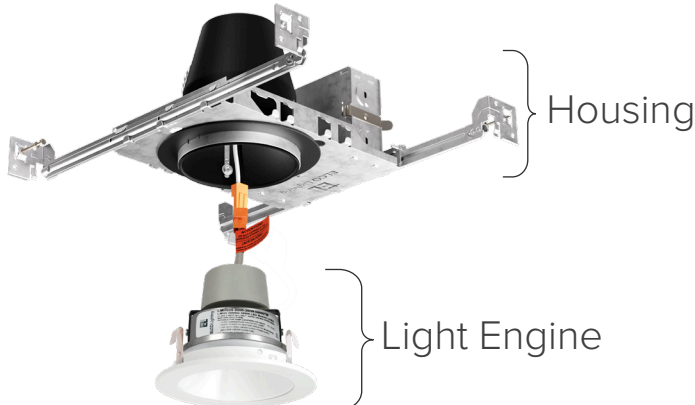


FEATURES

- Driver built on top of module for easy retrofitting
- Triac/ELV dimming
- Can be used in dedicated LED housings or used to retrofit medium base (E26) housings.
- Life span of 50,000 hours L70
- Assembled in the USA.

SET UP

1. Select a Housing.
2. Select a Light Engine.



SPECIFICATIONS

Wattage	11.4W
Lumens	850lm
Voltage	120V
Color Temp.	2700K, 3000K, 3500K, 4000K, 5000K, Sunset
CRI	93+
Wet Location	Fixed trims
Damp Location	Adjustable trims
Dimming	Triac/ELV
Beam Angle	15° 24° 38° 60°

Finishes
White
Bronze
Black
Haze/ White
Black/White
Chrome/White
Matte White
Matte Black

PRODUCT NUMBER BUILDER

◆ = ELCO's Choice

1. Specify housing part number

4" NEW CONSTRUCTION IC AIRTIGHT HOUSINGS

IC HOUSINGS Example: EL490ICA

ITEM	HOUSING	WATTAGE / VOLTAGE
EL490		
EL490	(Blank)◆ New Construction R Remodel	ICA◆ 14W MAX., 120V277V ICA-7 Step-Down Transformer 277V to 120V

◆ = ELCO's Choice

2. Specify light engine part number

CEDAR™ LIGHT ENGINES

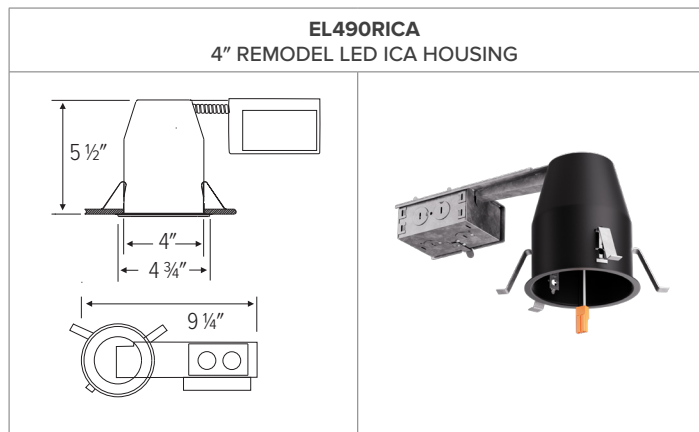
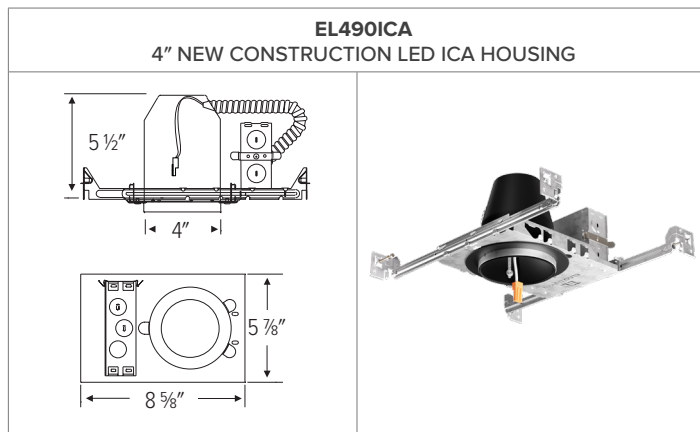
LIGHT ENGINES Example: E410R0827W-F

ITEM	STYLE	LUMEN	COLOR TEMP	FINISH	BEAM ANGLE
E4		08			
E4	10R◆ Round Reflector 11R Round Wall Wash 12R Round Drop Glass 14R Round Baffle 15R Sq/Square Baffle 17R Sq/Sq Reflector ¹ 18R Round Adjustable 20R Sq/Round Reflector 24R Sq/Round Baffle 28R Square Adjustable	08 850 lm	27 2700K 30◆ 3000K 35 3500K 40 4000K 50 5000K SD Sunset ²	W◆ White B Black/White ³ BZ Bronze H Haze ⁴ BB Black C Chrome ⁵ MW Matte White ⁴ MB Matte Black ⁴	(Blank)◆ 60° -F 38° -N 24° -S 15°
	¹ Only available in White & Bronze Finish		² Sunset, dim to warm technology, automatically transitions from 3000K to 1800K when dimmed	³ Not Available for 15R, 18R, 20R & 28R ⁴ Only Available for 10R, 11R, 12R, & 20R ⁵ Not Available for 14R, 15R, 24R	

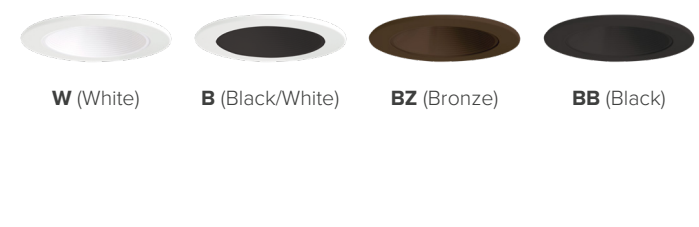
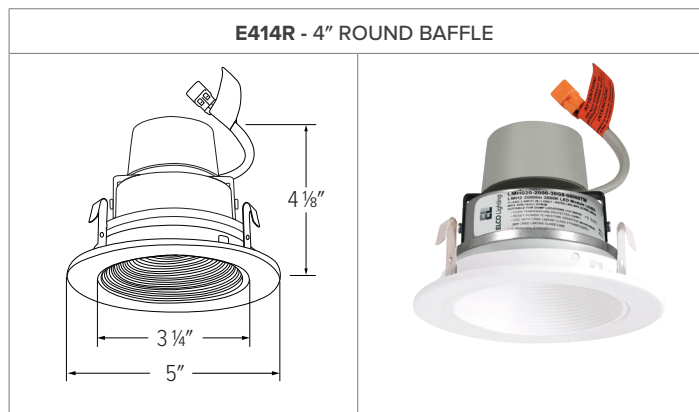
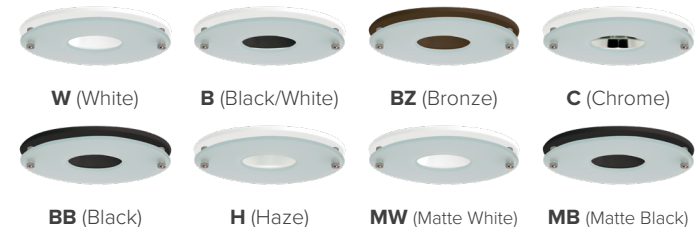
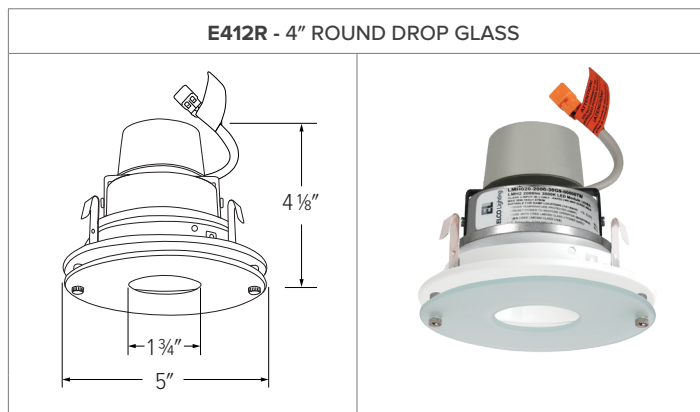
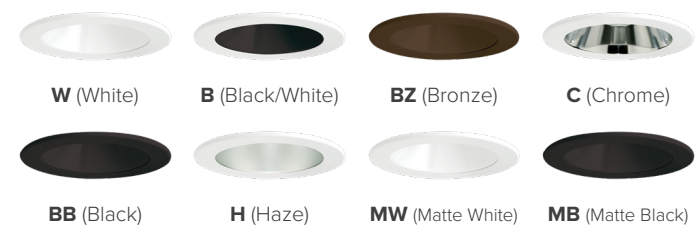
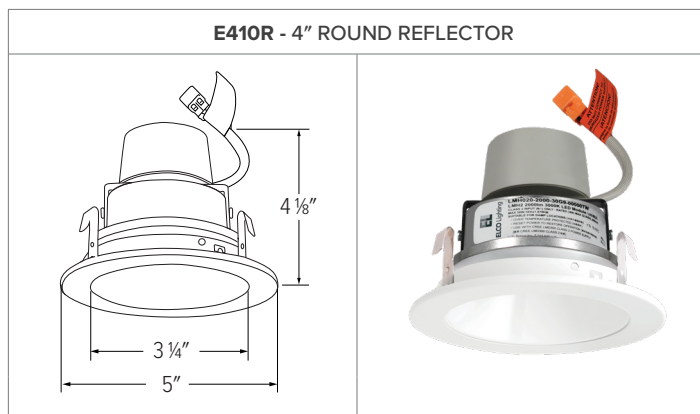
◆ = ELCO's Choice

PRODUCT DIMENSIONS

4" NEW CONSTRUCTION IC AIRTIGHT HOUSINGS

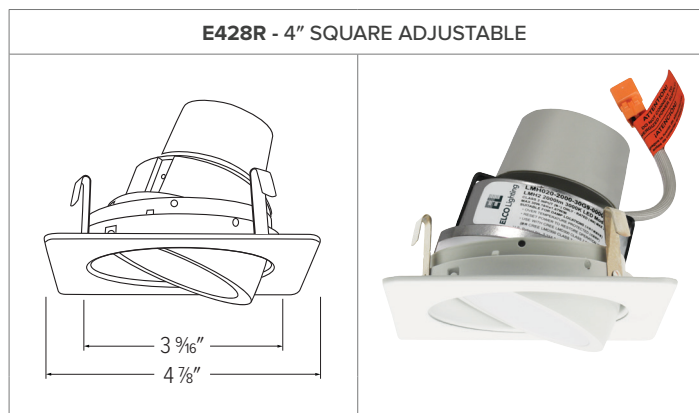
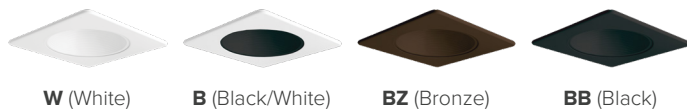
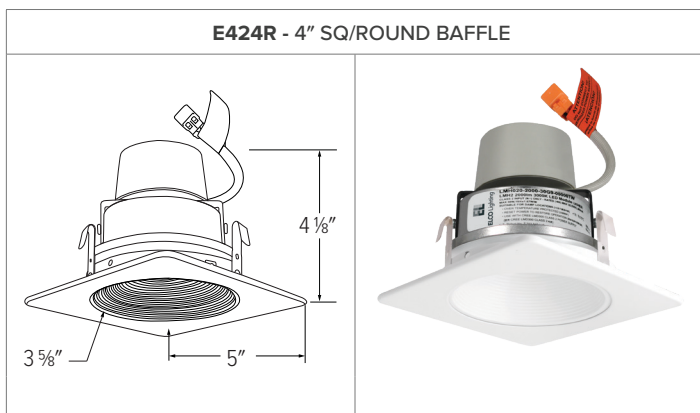
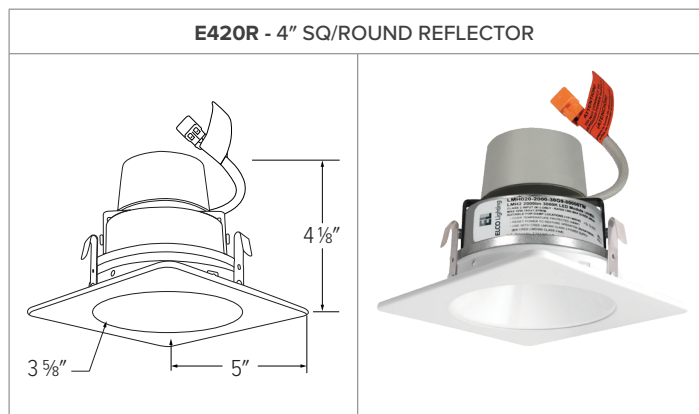
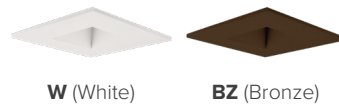
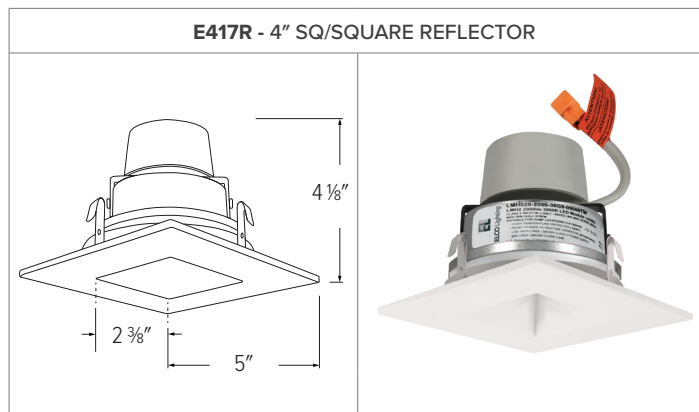
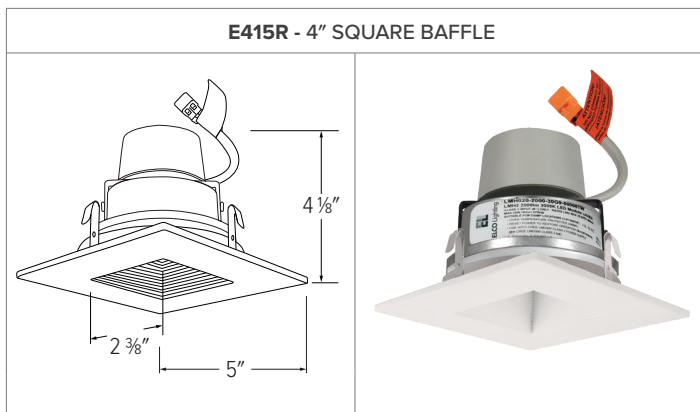


CEDAR™ LIGHT ENGINES








PRODUCT DIMENSIONS

CEDAR™ LIGHT ENGINES



ACCESSORIES

LED ADAPTERS

PSA-30	PSA-31	PSA-35	PSA-38	PSA-38-22
				
Socket adapter E26 to quick connector.	Socket adapter GU10 to Ideal LED connector.	Socket adapter GU24 to Ideal LED connector.	Hard wire adapter to Ideal LED connector.	Rewiring kit to Ideal LED connector.

TECHNICAL DETAILS

Optics: Frosted polycarbonate module lens diffuses light evenly throughout while reducing glare with LED technology.

Trim Construction: Reflector is two piece trim for maximum color versatility. Design allows for minimal glare and a strong glare cut-off. Trim is constructed of metal for lasting durability.

Installation (Housing): Designed for ceiling plenums where 2x6 joists or taller joists are used. High strength hanger bars can easily be nailed to joists. Maximum hole cutout is 4 ¼". Suitable for T-grid and drop ceiling applications. See installation sheet for detailed information.

LED Technology: Extremely accurate Color Rendering Index of 93+. Efficacy of 97 lumens per watt. Lumen Maintenance of 50,000 hours L70 Life based on LM80 standardized test results. Superior Thermal Management by utilizing ELCO Red heat sink. Instant On to Full Brightness technology. No LED pixilation.

Sunset: Sunset color temperature is our dim-to-warm LED technology that allows the color temperature to become warmer as the product is dimmed. Our SUNSET items start at 3000K and go as low as 1800K when dimmed. For Sunset dim technology be sure to order an item with "Sunset" in the Color Temperature (CCT) attribute.

Electrical: Input Voltage: 120V AC.

Listings: cUL Listed for Damp Location and for Wet Location with select trims. cUL Listed for Direct Contact with Insulation and Combustible Material. cUL Listed for Feed Through. Airtight per ASTM E-283. JA8-2022-E Title 24 Compliant.

Warranty: ELCO Products are built to last with a 5-year Limited warranty.

DIMMER COMPATIBILITY CHART

FOR REFERENCE ONLY

Testing conducted by ELCO Lighting is not a substitute for and does not imply certification by an independent laboratory or any other standards certification. Refer to manufacturer specifications for more detailed information on product certifications and standards. Consult the dimmer manufacturer prior to installation to ensure compatibility.

MANUFACTURER	PRODUCT	PART NUMBER	DIMMED LIGHT OUTPUT RANGE
Triac/ELV Type Dimmers			
Cooper	ASPIRE Decorator Single Pole/3-Way Dimmer	9573WS	10% - 100%
	DEVINE Decorator Dimmer	DI06P-A-K	10% - 100%
Legrand	Adorne® Paddle 450W Single Pole/3-Way Dimmer	ADPD453L-W2	10% - 100%
Leviton	Illumatech Single Pole/3-Way Incandescent Dimmer	IPI06	10% - 100%
	Decora Sureslide Single Pole Slide-to-Off Incandescent Dimmer	6631-LW	10% - 100%
	Decora Sureslide Single Pole/3-Way Magnetic Low Voltage Dimmer	6613-PL	8% - 100%
Lutron	Skylark® Single Pole/3-Way Incandescent/Halogen "Eco-Dim" Dimmer	S-603PG	5% - 85%
	Diva® C•L Single Pole/3-Way Dimmer	DVCL-153PR	7% - 100%
	Ariadni Single Pole/3-Way Dimmer	AY-600P-AL	10% - 100%
	Maestro® Incandescent/Halogen Digital Fade Dimmer	MRF2-600M-WH	10% - 100%
	Skylark® Single Pole/3-Way Incandescent/Halogen Dimmer	S-600P-AL	10% - 100%
	Diva® Single Pole Incandescent/Halogen Dimmer	DV-600P-WH	10% - 100%
	Nova® Single Pole Incandescent/Halogen Slide-to-Off Dimmer	N-600	10% - 100%
	Skylark® Single Pole Magnetic Low Voltage Dimmer	SLV-600-WH	8% - 100%
	Glyder® Single Pole Magnetic Low Voltage Dimmer	GLV-600-WH	8% - 100%

***NOTE: Refer to dimmer manufacturer's documentation for installation instructions and circuit details**

Disclaimer: Minimum and maximum loads for LEDs and CFLs are given in number of lamps and may vary depending on the lamp being used. Testing conducted by ELCO Lighting is not a substitute for and does not imply certification by an independent laboratory or any other standards certification. Refer to manufacturer specifications for more detailed information on product certifications and standards.

Integrating our lighting with your Smart Home System is a breeze. Simply check your Smart Home system for compatible smart switches and cross reference that with our Dimming Compatibility Chart.

Once the switches are integrated with your Smart Home system your lights will be ready to go.

