

3" CANLESS KOTO™ DOWNLIGHTING SYSTEM

10.5W, 2700K-4000K, Sunset, or Human Centric, Up to 950 lm,
120V or 120/277V

THE CANLESS KOTO™ SYSTEM

The high quality residential grade downlight engineered to be shallow, taking less space than a regular recessed housing. With a lumen output up to 950 lumen, the module offers maximum flexibility, providing designers and architects with the necessary choices when laying out a project.



FEATURES

- IC rated for direct contact with insulation
- Driver on frame: 120V, Triac/ELV dimming to 5% or 120-277V, 0-10V/Triac/ELV dimming to 1%
- 18°, 25°, 38°, 60°, and 90° beam angle options
- Excellent color rendering 95+ CRI
- Works with ceiling thickness up to 1.25"
- Title 24 JA8-2022 E-Compliant. ENERGY STAR Certified
- Covered by U.S. PATENTS and Patents Pending

SET UP

1. Select a Frame or Remodel/Retrofit power pack.
2. Select a Canless Koto™ Module.
3. Select a Trim.



SPECIFICATIONS

Wattage	10.5W
Lumens	950 lm
Voltage	120V or 120/277V
Color Temp.	2700K, 3000K, 3500K, 4000K, Sunset, or Human Centric
CRI	95+
Damp Location	UL Listed Adjustable Trims
Wet Location	UL Listed Fixed Trims
Dimming	Triac/ELV (5%) or 0-10V/Triac/ELV (1%)
Beam Angle	18°, 25°, 38°, 60° & 90°

Finishes

- White
- Black
- Bronze
- Black/ White
- Chrome/ White
- Haze/ White

PRODUCT NUMBER BUILDER

STEP 1. Specify Housing part number (Select one)

Example: E3KCL10ICDX-EM1

SIZE/STYLE	VOLTAGE/DIMMING	EM OPTIONAL
E3KCL10IC 3" New Construction ¹ EKCL10RIC Remodel/Retrofit	(Blank) 120V, Triac/ELV (5%) DX 120-277V, 0-10V/Triac/ELV (1%)	(Blank) No EM -EM1 25W, 90 min battery backup
¹ Easy-to-remove driver on frame		

STEP 2. Specify Canless Koto™ LED Module part number (Select one)

Example: EKCL2130D

ITEM	COLOR TEMPERATURE	BEAM ANGLE
EKCL21¹	24D 2400K 27D 2700K 30D 3000K 35D 3500K 40D 4000K SDD Sunset ² HCD Human Centric ³	(Blank) 38° ⁴ -S 18° -N 25° -W 60° -E 90° ⁵
¹ IC rated for direct contact with insulation	² Sunset, Dim to Warm technology, automatically transitions from 3000K to 1800K when dimmed ³ Human Centric, Dim to Warm technology, automatically transitions from 4000K to 2200K when dimmed	⁴ 38° installed on module with 25° & 60° included in the box ⁵ 90° available with frosted reflector only

PRODUCT NUMBER BUILDER

STEP 3. Specify Trim part number (Select one)

3" KOTO™ CANLESS ROUND TRIMS



Style: **Fixed Deep Reflector**
Item: **EKCL3618W** (All White)
EKCL3618BB (All Black)
EKCL3618BZ (All Bronze)
EKCL3618B (Black/White Ring)
EKCL3618C (Chrome/White Ring)
EKCL3618H (Haze/White Ring)



Style: **Adjustable Reflector**
Item: **EKCL3629W** (All White)
EKCL3629BB (All Black)
EKCL3629BZ (All Bronze)
EKCL3629B (Black/White Ring)
EKCL3629C (Chrome/White Ring)
EKCL3629H (Haze/White Ring)



Style: **Adjustable Pinhole**
Item: **EKCL3627W** (All White)
EKCL3627BB (All Black)
EKCL3627BZ (All Bronze)
EKCL3627B (Black/White Ring)
EKCL3627H (Haze/White Ring)



Style: **Adjustable Slot Aperture**
Item: **EKCL3620W** (Black Slot/White Ring)



Style: **Adjustable Reflector Wall Wash**
Item: **EKCL3622W** (All White)



Style: **Regressed Eyeball**
Item: **EKCL3653W** (All White)
EKCL3653BB (All Black)
EKCL3653B (Black/White Ring)



Style: **Micro Flange Reflector**
Item: **EKCL3663W** (All White)
EKCL3663BB (All Black)



Style: **Directional Gimbal**
Item: **EKCL3679W** (All White)
EKCL3679BB (All Black)
EKCL3679B (Black/White Ring)
EKCL3679H (Haze/White Ring)



Style: **Curved Reflector**
Item: **EKCL3672W** (All White)
EKCL3672B (All Black)



Style: **Adjustable Baffle**
Item: **EKCL3693W** (All White)



Style: **Flush Mount Spackle Frame**
Item: **EL3FMR**
Compatible with EKCL3618, EKCL3629, EKCL3627,
EKCL3620, EKCL3622, & EKCL3693 trims only

3" KOTO™ CANLESS SQUARE TRIMS



Style: **Fixed Deep Reflector**
Item: **EKCL3318W** (All White)
EKCL3318BB (All Black)
EKCL3318BZ (All Bronze)
EKCL3318B (Black/White Ring)
EKCL3318C (Chrome/White Ring)
EKCL3318H (Haze/White Ring)



Style: **Adjustable Reflector**
Item: **EKCL3329W** (All White)
EKCL3329BB (All Black)
EKCL3329BZ (All Bronze)
EKCL3329B (Black/White Ring)
EKCL3329C (Chrome/White Ring)
EKCL3329H (Haze/White Ring)



Style: **Adjustable Pinhole**
Item: **EKCL3327W** (All White)
EKCL3327BB (All Black)
EKCL3327BZ (All Bronze)
EKCL3327B (Black/White Ring)
EKCL3327H (Haze/White Ring)

PRODUCT NUMBER BUILDER

STEP 3. Specify Trim part number (Select one)

3" KOTO™ CANLESS SQUARE TRIMS



Style: **Adjustable Reflector Wall Wash**
Item: **EKCL3322W** (All White)



Style: **Square Reflector**
Item: **EKCL3341W** (All White)
EKCL3341BB (All Black)
EKCL3341BZ (All Bronze)
EKCL3341B (Black/White Ring)



Style: **Adjustable Baffle**
Item: **EKCL3393W** (All White)



Style: **Flush Mount Spackle Frame**
Item: **EL3FMS**
Compatible with EKCL3318, EKCL3329,
EKCL3327, EKCL3622, & EKCL3341 trims

3" KOTO™ CANLESS ROUND TRIMLESS



Style: **Fixed Trimless Reflector**
Item: **ELK308W** (All White)
ELK308B (All Black)
ELK308H (All Haze)



Style: **Adjustable Trimless Reflector**
Item: **ELK315W** (All White)
ELK315B (All Black)
ELK315H (All Haze)



Style: **Trimless Spackle Frame**
Item: **EL3SFR**
For use with ELK308 & ELK315



Style: **Knife Edge Wood Ceiling Adaptor**
Item: **EL3WCRW** (All White)
EL3WCRB (All Black)
For use with ELK308 & ELK315

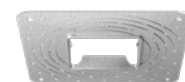
3" KOTO™ CANLESS SQUARE TRIMLESS



Style: **Fixed Trimless Reflector**
Item: **ELK370W** (All White)
ELK370B (All Black)
ELK370H (All Haze)



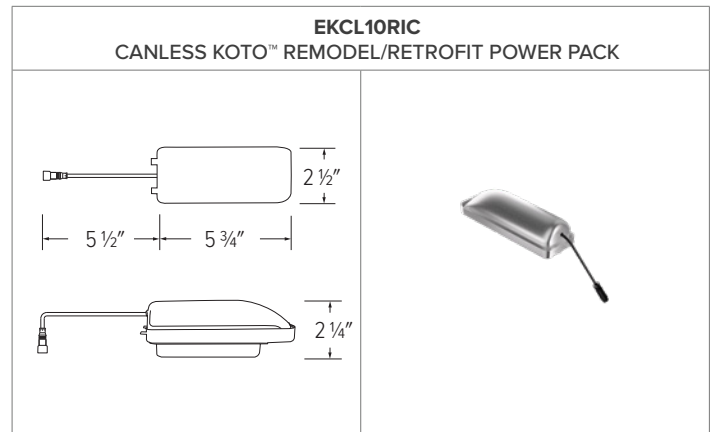
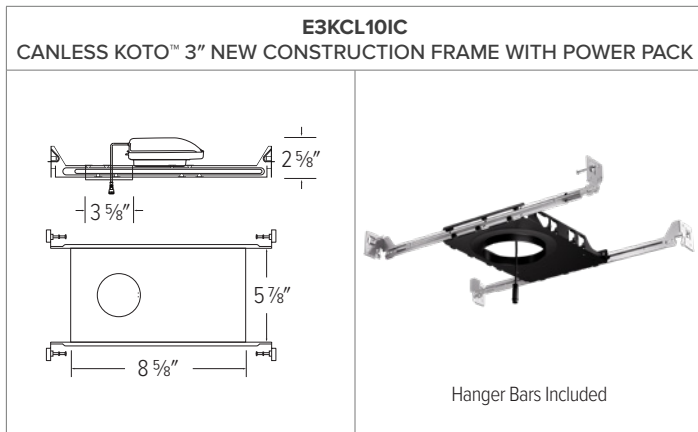
Style: **Adjustable Trimless Reflector**
Item: **ELK381W** (All White)
ELK381B (All Black)
ELK381H (All Haze)



Style: **Trimless Spackle Frame**
Item: **EL03SFS**
For use with ELK370 & ELK381

PRODUCT DIMENSIONS

CANLESS KOTO™ FRAMES AND REMODEL/RETROFIT POWER PACK



CANLESS KOTO™ LED MODULE



PRODUCT DIMENSIONS

KOTO™ CANLESS ROUND TRIMS

EKCL3618 - 3" ROUND DEEP REFLECTOR

3"
4 3/8" Height (Trim + Module)

EKCL3629 - 3" ROUND ADJUSTABLE REFLECTOR

3"
4 3/8" Height (Trim + Module)
360° Rotation - 30° Tilt



EKCL3627 - 3" ROUND ADJUSTABLE PINHOLE

1 3/4"
4 3/8" Height (Trim + Module)
360° Rotation - 15° - 30° Tilt

EKCL3620 - 3" ROUND ADJUSTABLE SLOT APERTURE

4 3/8"
3 3/8" Height (Trim + Module)
45° Tilt



EKCL3622 - 3" ADJUSTABLE REFLECTOR WALL WASH

3"
4 3/8" Height (Trim + Module)
45° Tilt

EKCL3653 - 3" ROUND REGRESSED EYEBALL

2 7/8"
4 3/8" Height (Trim + Module)
360° Rotation - 30° Tilt



PRODUCT DIMENSIONS

KOTO™ CANLESS ROUND TRIMS

EKCL3663 - 3" ROUND MICRO FLANGE REFLECTOR

3 3/8"

4 3/8"

3 1/2" Height (Trim + Module)

WET LOCATION



W (All White)



BB (All Black)

EKCL3679 - 3" ROUND DIRECTIONAL GIMBAL

3"

4 3/8"

3 1/8" Height (Trim + Module)
360° Rotation - 25° Tilt

DAMP LOCATION



W (All White)



BB (All Black)



B (Black/White)



H (Haze/White)

EKCL3672 - 3" ROUND CURVED REFLECTOR

1 1/2"

4 3/8"

3 1/4" Height (Trim + Module)

WET LOCATION



W (All White)



BB (All Black)

EKCL3693 - 3" ROUND ADJUSTABLE BAFFLE

3"

4 3/8"

4 1/8" Height (Trim + Module)
35° Tilt

DAMP LOCATION



W (All White)

EL3FMR - 3" ROUND FLUSH MOUNT SPACKLE FRAME

3 7/8"

4 3/8"

7 1/8"

Compatible with EKCL3618, EKCL3629,
EKCL3627, EKCL3620, EKCL3622, &
EKCL3693 trims

PRODUCT DIMENSIONS

KOTO™ CANLESS SQUARE TRIMS

EKCL3318 - 3" SQUARE DEEP REFLECTOR

3"
4 3/8"

4 1/4" Height (Trim + Module)

WET LOCATION

EKCL3329 - 3" SQUARE ADJUSTABLE REFLECTOR

3"
4 3/8"

3 1/4" Height (Trim + Module)
358° Rotation - 15° - 30° Tilt

DAMP LOCATION



EKCL3327 - 3" SQUARE ADJUSTABLE PINHOLE

2"
4 3/8"

3 3/8" Height (Trim + Module)
358° Rotation - 15° - 30° Tilt

DAMP LOCATION



EKCL3322 - 3" SQUARE ADJUSTABLE REFLECTOR WALL WASH

3"
4 3/8"

4" Height (Trim + Module)
45° Tilt

DAMP LOCATION

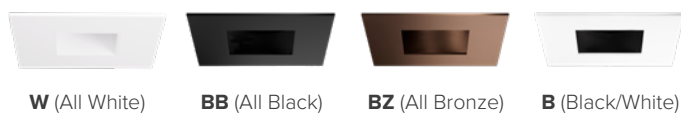


EKCL3341 - 3" SQUARE REFLECTOR

2"
4 3/8"

3 1/16" Height (Trim + Module)

WET LOCATION



EKCL3393 - 3" SQUARE ADJUSTABLE BAFFLE

3"
4 3/8"

4" Height (Trim + Module)
35° Tilt

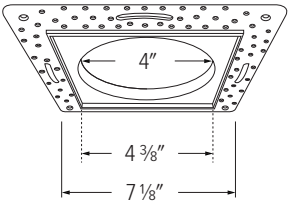

DAMP LOCATION



PRODUCT DIMENSIONS

KOTO™ CANLESS SQUARE TRIMS

EL3FMS - 3" SQUARE FLUSH MOUNT SPACKLE FRAME

Compatible with EKCL3318, EKCL3329, EKCL3327, EKCL3322, EKCL3341, & EKCL3393 trims

KOTO™ CANLESS ROUND TRIMLESS

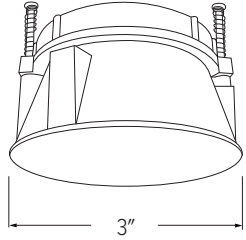

ELK308 - 3" ROUND TRIMLESS REFLECTOR




4" Height (Trimless + Module)



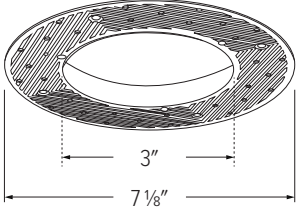

ELK315 - 3" ROUND ADJUSTABLE TRIMLESS REFLECTOR

4" Height (Trimless + Module)
35° Tilt



EL3SFR - 3" ROUND TRIMLESS SPACKLE FRAME

For use with ELK308 & ELK315

EL3WCRW - 3" ROUND KNIFE EDGE WOOD CEILING ADAPTOR




For use with ELK308 & ELK315
Compatible with ceiling up to 2" thick



PRODUCT DIMENSIONS

KOTO™ CANLESS SQUARE TRIMLESS

ELK370 - 3" SQUARE TRIMLESS REFLECTOR

2 9/16"

3" Height (Trimless + Module)

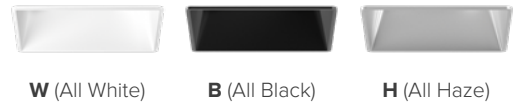
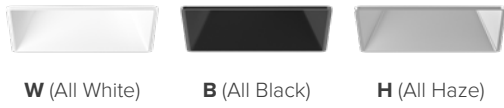
WET LOCATION

ELK381 - 3" SQUARE ADJUSTABLE TRIMLESS REFLECTOR

2 9/16"

3" Height (Trimless + Module)
35° Tilt

DAMP LOCATION



EL03SFS - 3" SQUARE TRIMLESS SPACKLE FRAME

7 1/8"






3"

For use with ELK370 & ELK381

ACCESSORIES

LENS & OPTICS (field changeable)

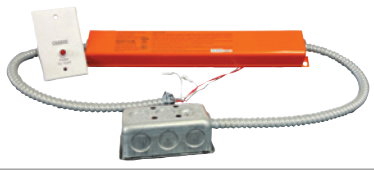
FIELD CHANGEABLE LENS		HEX LOUVER	LINEAR LENS	SPREAD LENS
				
EP731C (18°) / EP732C (25°) EP733C (38°) / EP734C (60°)	EP739C (90°)	L45 (Black) / L57 (White) For a better glare shield	L46 For a wide rectangular illumination pattern	L47 For a symmetrical broadening of light beams

FROSTED DIFFUSER	COLOR SHIFTERS	SINGLE ASYMMETRIC LENS	DOUBLE ASYMMETRIC LENS	SNOOTS
				
L49 For a softer light	L51 (Color temp. reducer) L52 (Blue) / L53 (Pink)	L54 For elliptical illumination pattern	L54 For elliptical illumination pattern	L50W (White) / L50B (Black) Reduces glare and light spill


FIRE RATED PRODUCTS

1-HOUR FIRE ENCLOSURE FOR RECESSED FIXTURES	MICA ADHESIVE FIRE TAPE FOR FIRE ENCLOSURE	2-HOUR FIRE COVER FOR RECESSED FIXTURES
		
FIREENCL Standard - 9" H x 20 3/8" L x 14 3/8" W FIREENCL-S Shallow (-S) - 7 1/4" H x 16" L x 14 3/8" W Provides fire barrier around recessed lights. ETL approved 1-hour fire rating. Meets UL 263, ASTM E119 Specifications. To be used with Mica Tape to seal the power feeding point. (FIRETAPE sold separately)	FIRETAPE 3/4" W x 16' L Fire proof mica adhesive tape helps seal the power feeding point on Fire Enclosure. Offers outstanding high temperature and flame resistance, and provides excellent electrical insulation.	FIRECVR 9 3/4" H x 17" O.D. x 13" I.D. Made of heat activated intumescent material. UL approved for most ceiling types: sheetrock drywall, gypsum & acoustical tiles. UL Rated enclosure stops flame spread and heat transmission for up to 2 hours.

EMERGENCY BATTERY BACKUP

EMERGENCY BATTERY BACKUP

KEM-ERT 90 minutes of emergency operation. Input: 100-277VAC, 50/60Hz., 25W Max Output: 170VDC, 25W Charging time: 36 hours cUL listed - Suitable for damp location

PLASTER FRAME FOR POWER PACK

PLASTER FRAME FOR POWER PACK

E3LKF1 Optional 3" new construction plaster frame with hanger bars for remodel power packs (sold separately).

TECHNICAL DETAILS

Optics: PC lens diffuses light evenly throughout while reducing glare with LED COB technology.

Construction (Light Engine): Diecast aluminum body with heat fins allow for efficient cooling.

Installation (Light Engine): Twist-on design for toolless trim installation, for use with Canless Koto™ trims only. Can be use with New Construction Frames or Remodel IC Power Packs.

Hanger Bars: Pre-installed hanger bars with True Nail easy installation in regular lumber, engineered lumber, and laminated beams. Integral T-bar slots for easy installation in T-bars. Spans up 24" and can be repositioned 90°. Score lines allow for tool-free hanger bar size reduction. Integral leveling flange allows for single-person installation while easily aligning the housings with the joists.

LED Technology: Extremely accurate Color Rendering Index (CRI) of 95+. Lumen Maintainece of 50,000 hours L70 Life based on LM80 standardized test results. Superior Thermal Management by utilizing integrated heat sink. Instant On to Full Brightness. No LED pixilation.

Electrical: Drivers are rated for 120V or 120/277V input. High Efficiency driver with a power factor >0.95.

Dimming: Triac/ELV dimming (5%) or Triac/ELV/0-10V dimming (1%)

Sunset: Sunset color temperature is our dim-to-warm LED technology that allows the color temperature to become warmer as the product is dimmed. Our SUNSET items start at 3000K and go as low as 1800K when dimmed. For Sunset dim technology be sure to order an item with "Sunset (SDD)" in the Color Temperature (CCT) attribute.

Human Centric: Our HUMAN CENTRIC items start at 4000K and go as low as 2200K when dimmed. For Human Centric dim technology be sure to order an item with "Human Centric (HCD)" in the Color Temperature (CCT) attribute.

Emergency Battery Pack: Optional 25W MAX. 90 minute battery backup 2", 3", 4" & 6" accessible from below.

Listings: cUL Listed for Damp Location with Damp Location trims and Wet Location with Wet Location trims. IC Rated for direct contact with insulation. RoHS Compliant. Title 24 JA8-2022 E-Compliant.

Warranty: ELCO Products are built to last with a 5-year Limited warranty.

DIMMER COMPATIBILITY CHART

FOR REFERENCE ONLY

Testing conducted by ELCO Lighting is not a substitute for and does not imply certification by an independent laboratory or any other standards certification. Refer to manufacturer specifications for more detailed information on product certifications and standards. Consult the dimmer manufacturer prior to installation to ensure compatibility.

MANUFACTURER	PRODUCT	PART NUMBER	DIMMED LIGHT OUTPUT RANGE
120V - Triac/ELV Dimmers for E2KCL10IC, E3KCL10IC, E4KCL10IC, E6KCL10IC, and EKCL10RIC Series			
Leviton	120V AC, Decora SureSlide® Single Pole with Slide -to-Off	6672	15% - 100%
	120V AC, Leviton Dimmer	1K35O2	5% - 100%
Lutron	Vive, 120V, 150W LED/CFL, 600W Incandescent/Halogen, FP, Single Pole/Multi-Location Dimmer, Commercial Application	MRF2S-6CL	12% - 91%
	Panel Model, Commercial/Residential Application, FP	GP (Harrier) Card	10% - 94%
	Grafik QS/Mailbox Module, 120/220 to 240V AC, LED/Incandescent/Halogen Load Type, Commercial/Residential Indoor Application, FP	LQRJ-WPM-6P	10% - 95%
	Grafik Eye 3000/HomeWorks, 120V, Incandescent/Fluorescent Load Type, Commercial/Residential Application, FP	HWI-WPM-6D-120	10% - 95%
	Panel Dimming Module, 120V, Commercial/Residential Application, FP	HW/LP-RPM-4U-120	10% - 95%
	Panel Adaptive Dimming Module, 120V, Commercial/Residential Application, FP	HW/LP-RPM-4A-120	9% - 95%
	HomeWorks® QS for CFL/LED loads, 120V, RP, Commercial/Residential Application	LQSE-4A1-D/ MQSE-4A1-D/ MQSE-3A1/ MQSE-2A1-D	8% - 95%
	Energi Savr Node LED+ Phase Adaptive, Commercial Application, Reverse Phase, (Zone 1) (Zones 2-4)	QSN-4A5-S	8% - 95%
	RadioRA®2, 120V, 50/60-Hz, 150W LED or 600W Incandescent/Halogen, 3-Way & 4-Way, Residential Application	RRD-6CL	10% - 95%
	RadioRA®3, 120V, 250W LED/CFL or 500W Incandescent/Halogen, Single Pole, Multi-Location	RRST-PRO-N	10% - 95%
	HomeWorks® QS, 120V, 60-Hz, 150W LED/CFL or 600W Incandescent/Halogen/MLV, Residential Application	HQRD-6CL(H2) HQRA-6CL(H2)	10% - 95%
	Homeworks QS, Residential Application, Reverse Phase	LQSE-4A-120-D	8% - 89%
	HomeWorks® for LED/Incandescent/Halogen loads, Reverse Phase, (Zone 1) (Zones 2-4)	LQSE-4A5-120-D	8% - 89%
	Ariadni® C-L Single Pole/3-Way, 150W LED/CFL or 600W Incandescent/Halogen	AYCL-153P	10% - 100%
	Skylark Contour® C-L, Single Pole/3-Way, 150W LED/CFL or 600W Incandescent/Halogen	CTCL-153P	10% - 100%
	Skylark® C-L Single Pole/3-Way, 150W LED/CFL or 600W Incandescent/Halogen	SCL-153P	10% - 100%
	Diva® Series 150W Single Pole/3-Way Dimmer	DVCL-153P	10% - 100%
	Skylark Contour® Single Pole/3-Way 1000W Incandescent/Halogen	CT-103P	10% - 100%
	Skylark® Single Pole 300W ELV Preset Dimmer	SELV-300P	5% - 100%
	Skylark® Single Pole 600W Incandescent/Halogen, Slide-to-Off Dimmer	S-600P	5% - 100%
	Diva® 300W Single Pole/3-Way ELV Dimmer	DVELV-303P	10% - 100%
	Diva® 600W Single Pole Incandescent/Halogen Preset Dimmer	DV-600P	5% - 100%
	Ariadni® 600W Single Pole Magnetic Low Voltage Dimmer	AYLV-600P	5% - 100%
	Ariadni® 600W Single Pole/3-Way Incandescent/Halogen Dimmer	AY-603P	5% - 100%
	Maestro® 600W Single Pole/3-Way ELV Dimmer	MAELV-600	5% - 100%
	Maestro® C-L Single Pole/3-Way Dimmer. 150W Max for LED/CFL or 600W Max for Incandescent/Halogen	MACL-153M	10% - 100%
	Caséta® Wireless Dimmer	PD-6WCL	10% - 100%

***NOTE: Refer to dimmer manufacturer's documentation for installation instructions and circuit details**

Disclaimer: Minimum and maximum loads for LEDs and CFLs are given in number of lamps and may vary depending on the lamp being used. Testing conducted by ELCO Lighting is not a substitute for and does not imply certification by an independent laboratory or any other standards certification. Refer to manufacturer specifications for more detailed information on product certifications and standards.

Integrating our lighting with your Smart Home System is a breeze. Simply check your Smart Home system for compatible smart switches and cross reference that with our Dimming Compatibility Chart. Once the switches are integrated with your Smart Home system your lights will be ready to go.



DIMMER COMPATIBILITY CHART

FOR REFERENCE ONLY

Testing conducted by ELCO Lighting is not a substitute for and does not imply certification by an independent laboratory or any other standards certification. Refer to manufacturer specifications for more detailed information on product certifications and standards. Consult the dimmer manufacturer prior to installation to ensure compatibility.

MANUFACTURER	PRODUCT	PART NUMBER	DIMMED LIGHT OUTPUT RANGE
Triac/ELV Type Dimmers - 120V Only for E2KCL10ICDX, E3KCL10ICDX, E4KCL10ICDX, E6KCL10ICDX, and EKCL10RICDX Series			
Lutron	120V AC, 150W LED/CFL or 600W Incandescent/Halogen, Single Pole, 3-Way	RRD-6CL	1% - 100%
	120V AC 60Hz, 150W LED/CFL/Incandescent/Halogen, Single Pole, 3-Way,	DVCL-153P	1% - 100%
	120V 60Hz, 150W LED/CFL or 600W Incandescent/Halogen, Single Pole, 3-Way	TGCL-153P	1% - 100%
	120V AC 60Hz, 300W Electronic Low Voltage, 3-Way, Commercial/Residential Application	DVELV-303P	1% - 100%
	120V, 600W Incandescent/Halogen, Single Pole, Residential Indoor Application	TG-600P	1% - 100%
	120V, 1000W Incandescent or 600W Magnetic Low Voltage, Single Pole, 3-Way	CT103P	1% - 100%
	120V AC 60Hz, 600W Electronic Low Voltage, Single Pole/Multi-Location	MAELV600	1% - 100%
	120V AC 60Hz, 500W Electronic Low Voltage, Single Pole/Multi-Location	FAELV500	1% - 100%
	120V AC 60Hz, 600W Incandescent/Halogen, Single Pole, Slide-to-Off Dimmer	S-600P	1% - 100%
	120V AC 60Hz, 150W LED/CFL or 600W Incandescent/Halogen, Single Pole, 3-Way	SCL-153P	1% - 100%
	Caséta® Wireless Dimmer	PD-6WCL	1% - 100%
	120V AC 60Hz, Low Voltage Load Type, 150W Single Pole	DVLV-600P	5% - 100%
	120V AC, 60Hz, 600W Incandescent/Halogen, Single Pole, 3-Way, Residential and Commercial Application	DV-603P	1% - 100%
	120V AC, 50/60Hz, 150W LED/CFL, 600W Incandescent/Halogen, Single Pole, 3-Way, Indoor Application	MA-PRO	1% - 100%
120V AC 60Hz, 150W LED/CFL or 600W Incandescent/Halogen, Single Pole, 3-Way	MACL-153M	1% - 100%	
Leviton	120V AC 60Hz, 300W Electronic Low Voltage, 400 Volt Amp, Single Pole, 3-Way	IPE04	1% - 100%
	120V AC 60Hz, 300W CFL or 600W Incandescent, 400 Volt Amp, Single Pole, 3-Way	6673-10W	1% - 100%
	120V AC, 600W Incandescent with LED Locator, Single Pole, 3-Way	VP106	1% - 100%
	120V AC 60Hz, 500W Incandescent with LED Level Indicator, Single Pole, 3-Way	6161	1% - 100%
	120V AC, 150W LED/CFL or 600W Incandescent, Single Pole, 3-Way	6674	1% - 100%
Eaton	120V AC, 300W LED/CFL or 600W Incandescent/MLV/Halogen, Single Pole, 3-Way	TAL06P1-C1	1% - 100%
Cooper	120V AC 60Hz, 300W LED/CFL or 600W Incandescent/Halogen, Single Pole, 3-Way	SLC03P / DAL06P	1% - 100%
	120V AC 60Hz, 300W LED/CFL or 600W Incandescent, Single Pole, 3-Way, Residential	DLC03P	1% - 100%
	120V AC 60Hz, 600W Incandescent/Halogen, Single Pole, 3-Way	RI061-VW-K2	1% - 100%
Lightolier	120V AC 60Hz, 300W LED/CFL/ Incandescent/Halogen, Single Pole, 3-Way	AAL06A-C2	1% - 100%
	120V, 260W Incandescent/Halogen, Single Pole, 3-Way,	ZP260QEW	1% - 100%

0-10V Type Dimmers - 120/277V for E2KCL10ICDX, E3KCL10ICDX, E4KCL10ICDX, E6KCL10ICDX, and EKCL10RICDX Series			
Lutron	120/277V AC, 0-10V LED/CFL Ballast, Single Pole, 3-Way	NFTV	1% - 100%
	120/277V AC, 0-10V, Single Pole, 3-Way, Commercial and Residential, Indoor Application	DVSTV	1% - 100%
	120/277V AC 50/60Hz, 0-10V LED/CFL Ballast, Single Pole, 3-Way, Indoor Application	DVTV	1% - 100%
Leviton	120/277V AC 60Hz, 0-10V LED/CFL Ballast, Single Pole, 3-Way	IP710-DL	1% - 100%

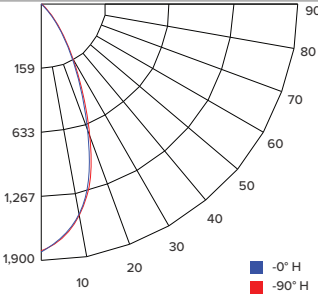
***NOTE: Refer to dimmer manufacturer's documentation for installation instructions and circuit details**

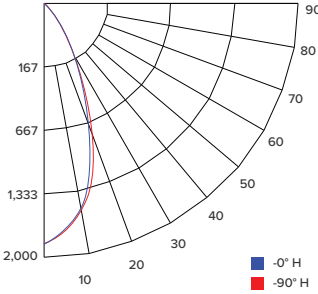
Disclaimer: Minimum and maximum loads for LEDs and CFLs are given in number of lamps and may vary depending on the lamp being used. Testing conducted by ELCO Lighting is not a substitute for and does not imply certification by an independent laboratory or any other standards certification. Refer to manufacturer specifications for more detailed information on product certifications and standards.

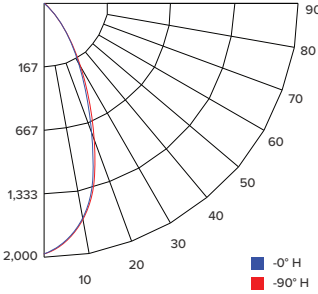
Integrating our lighting with your Smart Home System is a breeze. Simply check your Smart Home system for compatible smart switches and cross reference that with our Dimming Compatibility Chart. Once the switches are integrated with your Smart Home system your lights will be ready to go.

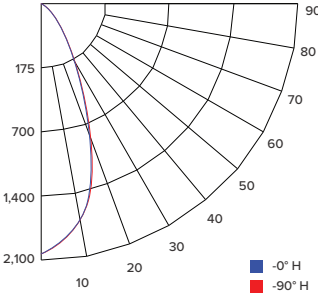


CANLESS KOTO™ LED MODULE

PHOTOMETRIC REPORT	CANDLE POWER SUMMARY		ILLUMINANCE AT A DISTANCE		
Product #: EKCL2127D Wattage / Lumens: 12.22W / 1169.3 lm Luminaire LPW: 95.69 lm/W 	Degress Vertical	0°	Distance to Target Plane	Center Beam Footcandles	Beam Diameter
	0	1829	4'	114	3.1
	5	1737	6'	50.8	4.6
	15	1353	8'	28.6	6.2
	25	683	10'	18.3	7.7
	35	328	ZONAL LUMEN SUMMARY		
	45	123			
	55	39			
	65	17			
	75	8			
85	2	Zone	Lumens	%Luminaire	
90	1	0-30°	834.5	71.2	
		0-40°	1,022.9	87.3	
		0-60°	1,140.0	97.3	
		0-90°	1,164.3	99.4	

PHOTOMETRIC REPORT	CANDLE POWER SUMMARY		ILLUMINANCE AT A DISTANCE		
Product #: EKCL2130D (1) Wattage / Lumens: 12.22W / 1218 lm Luminaire LPW: 99.67 lm/W 	Degress Vertical	0°	Distance to Target Plane	Center Beam Footcandles	Beam Diameter
	0	1900	4'	119	3.1
	5	1805	6'	52.8	4.6
	15	1406	8'	29.7	6.2
	25	710	10'	19.0	7.7
	35	341	ZONAL LUMEN SUMMARY		
	45	127			
	55	41			
	65	17			
	75	9			
85	2	Zone	Lumens	%Luminaire	
90	1	0-30°	867.0	71.2	
		0-40°	1,062.8	87.3	
		0-60°	1,184.4	97.3	
		0-90°	1,209.7	99.4	

PHOTOMETRIC REPORT	CANDLE POWER SUMMARY		ILLUMINANCE AT A DISTANCE		
Product #: EKCL2135D Wattage / Lumens: 12.22W / 1271 lm Luminaire LPW: 104.01 lm/W 	Degress Vertical	0°	Distance to Target Plane	Center Beam Footcandles	Beam Diameter
	0	1976	4'	124	3.1
	5	1877	6'	54.9	4.6
	15	1462	8'	30.9	6.2
	25	738	10'	19.8	7.7
	35	355	ZONAL LUMEN SUMMARY		
	45	133			
	55	43			
	65	18			
	75	9			
85	2	Zone	Lumens	%Luminaire	
90	1	0-30°	901.7	71.2	
		0-40°	1,105.3	87.3	
		0-60°	1,231.8	97.3	
		0-90°	1,258.1	99.4	

PHOTOMETRIC REPORT	CANDLE POWER SUMMARY		ILLUMINANCE AT A DISTANCE		
Product #: EKCL21040D Wattage / Lumens: 12.22W / 1322 lm Luminaire LPW: 108.18 lm/W 	Degress Vertical	0°	Distance to Target Plane	Center Beam Footcandles	Beam Diameter
	0	2051	4'	128	3.1
	5	1948	6'	57.0	4.6
	15	1518	8'	32.1	6.2
	25	766	10'	20.5	7.7
	35	368	ZONAL LUMEN SUMMARY		
	45	138			
	55	44			
	65	19			
	75	9			
85	2	Zone	Lumens	%Luminaire	
90	1	0-30°	935.9	71.2	
		0-40°	1,147.2	87.3	
		0-60°	1,278.5	97.3	
		0-90°	1,305.8	99.4	