

**INSTALLATION INSTRUCTIONS****5&6 in LED DOWNLIGHT - MODEL EL685CT5XX****Rated Voltage 120V-277V, 60Hz**

XX indicates the finish color of product.

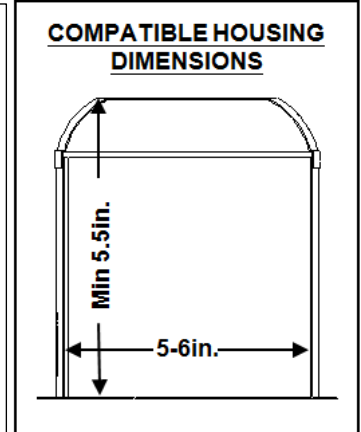
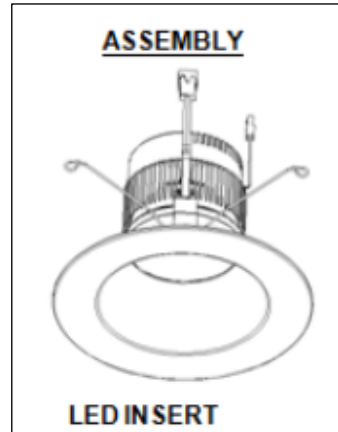
**Please read carefully and save these instructions as you may need them at a later date.****WARNING - RISK OF ELECTRIC SHOCK. DISCONNECT MAIN POWER AT FUSE OR CIRCUIT BREAKER BEFORE INSTALLING OR SERVICING THE FIXTURE.**

**GENERAL:** All electrical connections must be in accordance with local and National Electrical Code (N.E.C.) standards. If you are unfamiliar with proper electrical wiring connections obtain the services of a qualified electrician.

Remove the KIT from the box and make sure that no parts are missing by referencing the PARTS illustrations.

THIS ETROFIT ASSEMBLY IS ACCEPTED AS A COMPONENT OF ED LUMINAIRE WHERE HE SUITABILITY OF HE COMBINATION SHALL BE DETERMINED BY SA OR CANADIAN AUTHORITIES HAVING JURISDICTION.

THIS EVICE IS NOT INTENDED FOR USE WITH EMERGENCY EXITS.

**WARNING- RISK OF FIRE OR ELECTRIC SHOCK**

- LED Retrofit Kit installation requires knowledge of luminaires electrical systems. If not qualified, do not attempt installation. Contact a qualified electrician.
- Install this kit only in luminaires that have the construction features and dimensions shown in the photographs and/or drawings and where the input rating of the retrofit kit does not exceed the input rating of the luminaire.
- Do not make or alter any open holes in an enclosure of wiring or electrical components during kit installation.
- To prevent wiring damage or abrasion, do not expose wiring to edges of sheet metal or other sharp objects.
- The inside of the ceiling must be waterproof.

**ASSEMBLY AND INSTALLATION****LED HOUSINGS**

1. Mate the **FEMALE ORANGE CONNECTOR** of the LED Insert onto the **MALE ORANGE CONNECTOR** of the LED HOUSING. (FIG. 3)
2. For 0-10V Control wires, mate the **FEMALE BLACK MINI CONNECTOR** of the LED Insert onto the **MALE BLACK MINI CONNECTOR** of the LED HOUSING
3. Squeeze both FRICTION BLADES arms together and insert into the CAN. Tuck all wires into the CAN and carefully push the RETROFIT KIT into CAN.

