

# 6" 0-10V DIMMABLE LED DOWNLIGHTS

13W, 19W, 24W, 2700K-5000K, 1000lm, 1500lm, 2000lm

## THE PLY™ SYSTEM

0-10V dimmable LED Insert that gives you the options you are looking for in one fixture. Engineered with energy-efficient LED technology and with a 120/277V 0-10V dimmable driver for a budget friendly 0-10V solution. Designed to be used for New Construction & Remodel with ELCO Ply™ System Housings.

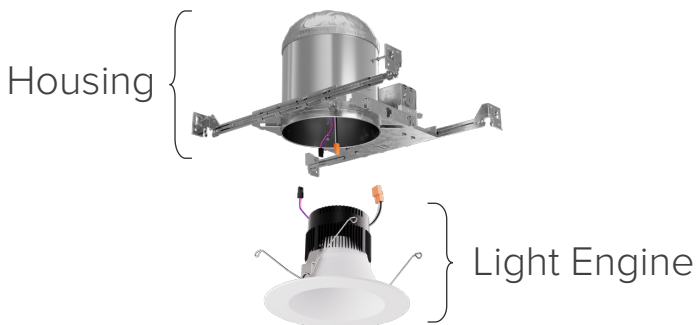


### FEATURES

- IC Airtight rated for direct contact with insulation
- 120/277V Input, 0-10V Dimmable
- Switch to choose desired color temperature and lumen output
- Life span of 50,000 hours L70
- Encased quick connector for easy-module installation

### SET UP

1. Select a Housing.
2. Select a Light Engine.



### SPECIFICATIONS

<b>Wattage</b>	5-CCT/Lumen Switch Option: 13W / 19W / 24W
	Adjustable Inserts: 12.6W
<b>Lumens</b>	5-CCT/Lumen Switch Option: 1000 / 1500 / 2000 lm
	Adjustable Inserts: 850 lm - 900 lm
<b>Voltage</b>	120/277V
<b>Color Temp.</b>	27K, 30K, 35K, 40K, 50K
<b>CRI</b>	90+
<b>Damp Location</b>	ETL Listed Adjustable Trims
<b>Wet Location</b>	ETL Listed Fixed Trims
<b>Dimming</b>	0-10V 0-10V/Triac/ELV
<b>Finishes</b>	<input type="checkbox"/> White <input type="checkbox"/> Black <input type="checkbox"/> Bronze <input type="checkbox"/> Haze <input type="checkbox"/> Haze/White <input type="checkbox"/> Chrome/White

## PRODUCT NUMBER BUILDER

◆ = ELCO's Choice

### 1. Specify housing part number

#### 6" 0-10V PLY™ DEDICATED LED HOUSINGS

IC HOUSINGS Example: EL770ICDXA-B

ITEM	HEIGHT	HOUSING	VOLTAGE	OPTIONAL
EL7				
EL7	70◆ 7 ½" Height 60 5 ½" Height (Shallow)	(Blank)◆ New Construction R Remodel	ICDXA 120/277V	(Blank)◆ Standard -B Butterfly Bracket¹ -EM5 Emergency Backup¹
	◆ = ELCO's Choice	◆ = ELCO's Choice		◆ = ELCO's Choice ¹ For New Construction Housing only

#### 2-HOUR FIRE RATED 6" 0-10V PLY™ DEDICATED LED HOUSINGS

FIRE RATED HOUSINGS Example: EL76FICDXA

ITEM	VOLTAGE/HEIGHT	OPTIONAL
EL7		
EL7	6FICDXA◆ 120/277V, 7 ¾" Height 5FICDXAS 120/277V, 6 ³/₁₆" Height (Shallow)	(Blank) Standard
	◆ = ELCO's Choice	

### 2. Specify insert part number

#### 6" 0-10V PLY™ INSERTS

##### ROUND FIXED TRIMS



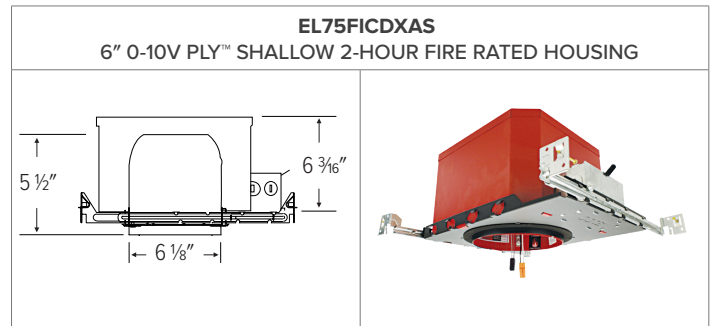
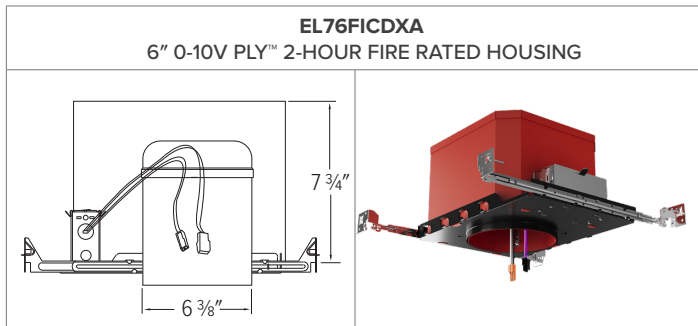
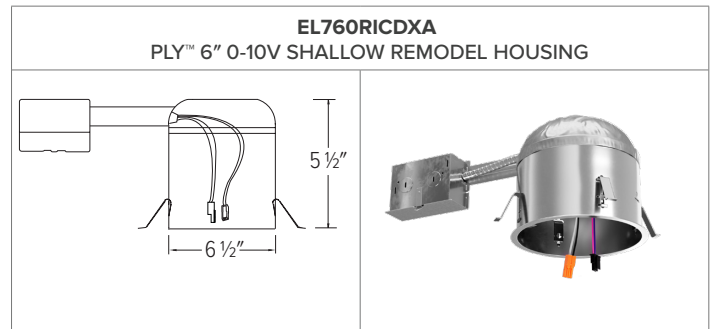
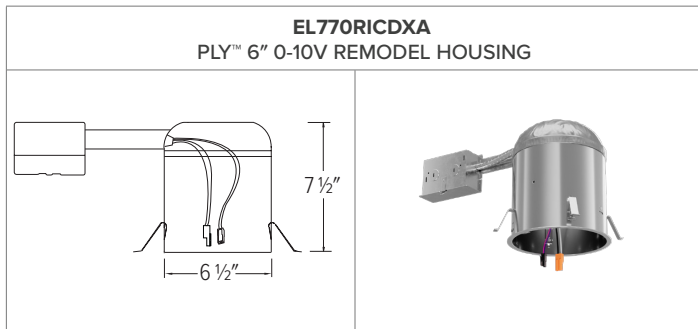
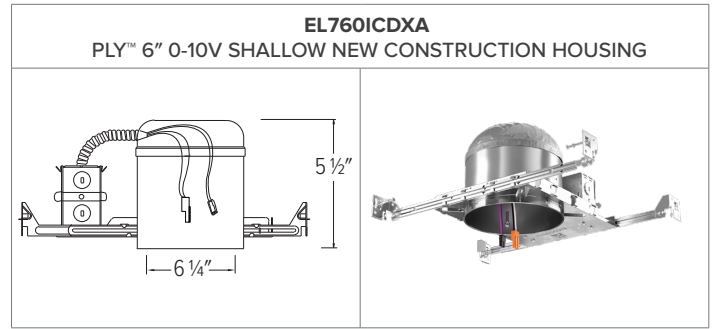
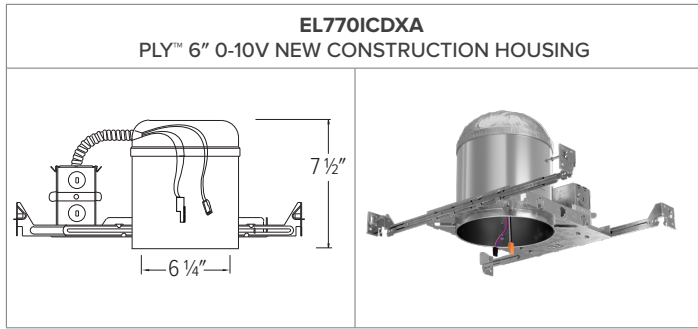
ITEM	STYLE	COLOR TEMPERATURE	DIMMING	FINISH
EL6				
EL6	85 Reflector¹	CT5 27K, 30K, 35K, 40K, 50K¹	D 0-10V	W◆ All White BB All Black¹ H All Haze³ HW Haze White³ CW Chrome/White³
	¹ Lumen Switch (Wattage): 1000 lm (13W), 1500 lm (19W), 2000 lm (24W)	¹ Manual switch to choose desired Color Temperature and Lumen Output		◆ = ELCO's Choice

##### ROUND ADJUSTABLE TRIMS

ITEM	STYLE	COLOR TEMPERATURE	DIMMING	FINISH
EL6				
EL6	97 Adjustable	27 2700K¹ 30◆ 3000K²	DX 0-10V/Triac/ELV	W◆ All White B All Black BZ All Bronze
		◆ = ELCO's Choice ¹ Lumens (Wattage): 850 lm (12.6W) ² Lumens (Wattage) 900 lm (12.6W)		◆ = ELCO's Choice

## PRODUCT DIMENSIONS

### 0-10V PLY™ LED HOUSINGS



## Hanger Bars for **PLY™** Butterfly New Construction Housings

27" Flat Hanger  
Bars for Wood  
Construction (Set of 2)  
**FB27**



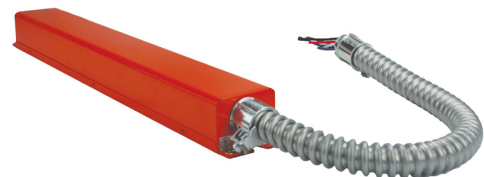
26" C-Channel  
Hanger Bars for  
T-Bar Ceilings (Set of 2)  
**CH26**



## ACCESSORIES

### EMERGENCY BATTERY BACKUP

**KEM-LED5**  
EMERGENCY BATTERY BACKUP

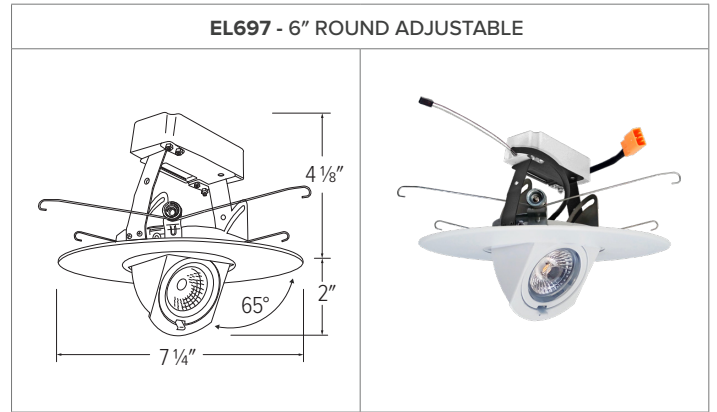
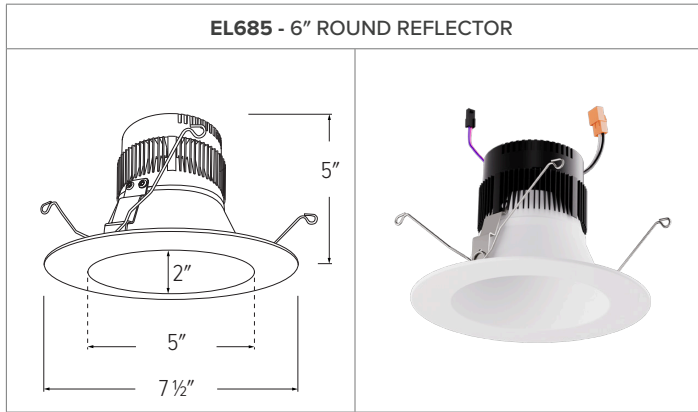


#### KEM-LD5

90 minutes of emergency operation.  
0°C to 50°C operating temperature.  
Input: 120/277VAC, 50-60Hz, 25W Max  
Output: ~110VDC (120VAC input)/ ~270VDC (277VAC input)  
Charging time: 36 hours  
Compatible with EL770ICDXA, EL760ICDXA  
cUL listed

## PRODUCT DIMENSIONS

### PLY™ ROUND TRIMS



## ACCESSORIES

### INTERCHANGEABLE LENS



---

## TECHNICAL DETAILS

---

**Optics:** Frosted polycarbonate lens diffuses light evenly throughout while reducing glare with LED Array technology.

**Construction (Housing):** Single wall IC rated for direct contact with insulation, for use in IC or non-IC conditions. Housing adjusts in frame to accommodate up to 1 1/4" ceiling thickness. Airtight housing with gasket to restrict airflow in accordance with ASTM E-283 air-tight requirements. Steel housing for greater heat dissipation. Stamped galvanized steel frame.

**Construction (Light Engine):** For use in IC and Non-IC housings. Spun Aluminum for greater heat dissipation. High quality powder coat finish preventing rust and paint cracking.

**Installation (Housing):** Designed for ceiling plenums where 2x6 joists or taller joists are used. High strength hanger bars can easily be nailed to joists. Maximum hole cutout is 6 1/4" for New Construction housing. Suitable for T-grid and drop ceiling applications. See installation sheet for detailed information.

**Installation (Remodel):** Designed for ceiling plenums where 2x6 joists or taller joists are used. Maximum hole cutout is 6 1/2". Suitable for T-grid and drop ceiling applications. See installation sheet for detailed information.

**Installation (Light Engine):** Quick connect for use with EL76FICDXA, EL76FICDXA-B, EL760ICDXA, EL760ICDXA-B, EL760ICDXA-EM5 and EL760RICDXA.

**Junction Box:** Positioned to accommodate straight conduit runs. Seven 1/2" trade size conduit knockouts, four 3/4" knockouts. Pry-out knockout slots. 4 Romex pryouts with strain relief.

**Hanger Bars:** Pre-installed hanger bars with TrueNail facilitate easy installation in regular lumber, engineered lumber, and laminated beams. Integral T-bar slots for easy installation in T-bars. Spans up to 24" and can be repositioned 90°. Score lines allow for tool-free hanger bar size reduction. Integral leveling flange allows for single-person installation while aligning the housings with the joists.

**Input Voltage:** 120/277V. Inherently protected. Fixture rated for 24W MAX. LED insert

**LED Technology:** Extremely accurate color rendering with 90+ CRI. Lumen Maintenance of 50,000 hours L70 Life based on LM80 standardized test results. Superior Thermal Management by utilizing integral heat sink. Instant On to Full Brightness. No LED pixelation.

**Electrical (Light Engine):** Driver connects to 120/277V power supply. High Efficiency driver with a power factor > 0.9. Start time of less than .75 seconds.

**Dimming:** Works with 0-10V dimmers. Dims down to 10%. For full list of dimmers refer to the Dimmer Compatibility List. Industry leading dimming. Dims smoothly with no hot spots or flickering.

**Emergency Battery Pack:** Optional 90 minute battery pack available with test indicator switch. Note that double wall housings require Access From Above Ceiling for Battery Maintenance.

**Listings:** ETL Listed for Damp Location. ETL Listed for Wet Location with select trims. cUL Listed for Feed Through. cUL Listed for Direct Contact with Insulation and Combustible Material. Airtight per ASTM E-283. JA8-2016-E Title 24 Compliant. RoHS Compliant. ENERGY STAR® Certified.

**Warranty:** ELCO Lighting warrants products will be free from defects in materials and workmanship for a period of 5 years.

## DIMMER COMPATIBILITY CHART

### FOR REFERENCE ONLY

Testing conducted by ELCO Lighting is not a substitute for and does not imply certification by an independent laboratory or any other standards certification. Refer to manufacturer specifications for more detailed information on product certifications and standards. Consult the dimmer manufacturer prior to installation to ensure compatibility.

MANUFACTURER	PRODUCT	PART NUMBER	DIMMED LIGHT OUTPUT RANGE
Lutron	Diva®, 120/277V, 0-10V, Single Pole, 3-Way	DVSTV-WH	10% - 100%
	Nova T®, 120/277V, 0-10V, Single Pole, Slide-to-off	NTSTV-DV-WH	10% - 100%
Philips	Sunrise, 120/277V, 0-10V, LED/CFL, Preset Slider, 3-Way	SR1200ZTUNV	10% - 100%

**\*NOTE: Refer to dimmer manufacturer's documentation for installation instructions and circuit details**

Disclaimer: Minimum and maximum loads for LEDs and CFLs are given in number of lamps and may vary depending on the lamp being used. Testing conducted by ELCO Lighting is not a substitute for and does not imply certification by an independent laboratory or any other standards certification. Refer to manufacturer specifications for more detailed information on product certifications and standards.

Integrating our lighting with your Smart Home System is a breeze. Simply check your Smart Home system for compatible smart switches and cross reference that with our Dimming Compatibility Chart.

Once the switches are integrated with your Smart Home system your lights will be ready to go.

