

# 4" 0-10V DIMMABLE LED DOWNLIGHTS

9.5W, 113.5W, 18W, 2700K-5000K, 850lm, 1400lm, 1800lm

## THE PLY™ SYSTEM

0-10V dimmable LED Insert that gives you the options you are looking for in one fixture. Engineered with energy-efficient LED technology and with a 120/277V 0-10V dimmable driver for a budget friendly 0-10V solution. Designed to be used for New Construction & Remodel with ELCO Ply™ System Housings.



### FEATURES

- IC Airtight rated for direct contact with insulation
- 120/277V Input, 0-10V Dimmable
- Switch to choose desired color temperature and lumen output
- Life span of 50,000 hours L70
- Encased quick connector for easy-module installation

### SET UP

1. Select a Housing.
2. Select a Light Engine.



### SPECIFICATIONS

<b>Wattage</b>	<b>5-CCT/Lumen Switch Option:</b> Round Insert: 9.5W / 13.5W / 18W Square Insert: 10W / 14W / 18W
	<b>Adjustable Inserts:</b> 10.5W - 12.6W
<b>Lumens</b>	<b>5-CCT/Lumen Switch Option:</b> Round Insert: 850 / 1000 / 1500 lm Square Insert: 1000 / 1400 / 1800 lm
	<b>Adjustable Inserts:</b> 650 lm - 900 lm
<b>Voltage</b>	120/277V
<b>Color Temp.</b>	27K, 30K, 35K, 40K, 50K
<b>CRI</b>	90+
<b>Damp Location</b>	ETL Listed Adjustable Trims
<b>Wet Location</b>	ETL Listed Fixed Trims
<b>Dimming</b>	0-10V 0-10V/Triac/ELV
<b>Finishes</b>	<input type="checkbox"/> White
	<input type="checkbox"/> Black
	<input type="checkbox"/> Bronze
	<input type="checkbox"/> Haze
	<input type="checkbox"/> Haze/White

1. Specify housing part number

**4" 0-10V PLY™ DEDICATED LED HOUSINGS**

IC HOUSINGS Example: EL490ICDXA

ITEM	HEIGHT	HOUSING	VOLTAGE	OPTIONAL
EL4				
EL4	90 5 1/2" Height	(Blank)◆ New Construction R Remodel	ICDXA 120/277V	(Blank) No EM -EM5 25W Emergency Backup <sup>1</sup>
		◆ = ELCO's Choice		<sup>1</sup> For New Construction Housing only

**2-HOUR FIRE RATED 4" 0-10V PLY™ DEDICATED LED HOUSINGS**

FIRE RATED HOUSINGS Example: EL49FICDXA

ITEM	STYLE	VOLTAGE	OPTIONAL
EL4			
EL4	9F New Construction Housing	ICDXA 120/277V	(Blank) No EM -EM Emergency Backup <sup>1</sup>
			<sup>1</sup> For New Construction Housing Access Above the Ceiling Required

2. Specify insert part number

**4" 0-10V PLY™ INSERTS**

ROUND FIXED TRIMS



ITEM	STYLE	COLOR TEMPERATURE	DIMMING	FINISH
EL4				
EL4	75 Reflector <sup>1</sup>	CT5 27K, 30K, 35K, 40K, 50K <sup>1</sup>	D 0-10V	W◆ All White BB All Black H All Haze HW Haze/White
	<sup>1</sup> Lumen Switch (Wattage): 850 lm (9.5W), 1000 lm (13.5W), 1500 lm (18W)	<sup>1</sup> Manual switch to choose desired Color Temperature and Lumen Output		◆ = ELCO's Choice

ROUND ADJUSTABLE TRIMS

ITEM	STYLE	COLOR TEMPERATURE	DIMMING	FINISH
EL4				
EL4	14 Adjustable Gimbal <sup>1</sup> 97◆ Adjustable Pull-Down <sup>2</sup>	27 2700K 30◆ 3000K 35 3500K <sup>1</sup>	DX 0-10V/Triac/ELV	W◆ All White B All Black BZ All Bronze <sup>1</sup>
	◆ = ELCO's Choice <sup>1</sup> 10.5W. Lumens (Color Temperature): 650 lm (27K), 680 lm (30K), 710 lm (35K). 60° Beam Angle <sup>2</sup> 12.6W Lumens (Color Temperature): 850 lm (27K), 900 lm (30K). 36° Beam Angle	◆ = ELCO's Choice <sup>1</sup> Not available for Pull-Down option		◆ = ELCO's Choice <sup>1</sup> For Adjustable Pull-Down only

# PRODUCT NUMBER BUILDER

◆ = ELCO's Choice

## SQUARE FIXED TRIMS



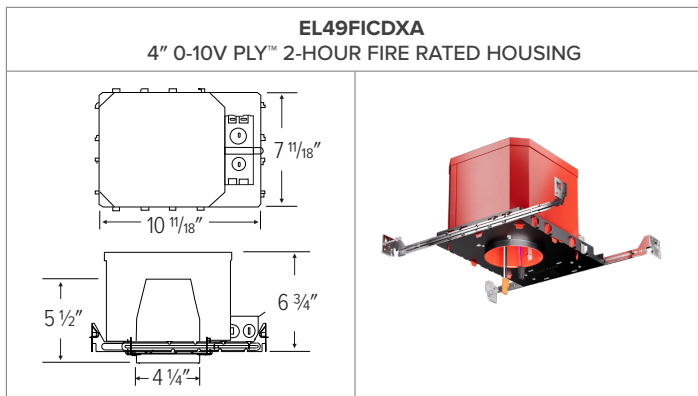
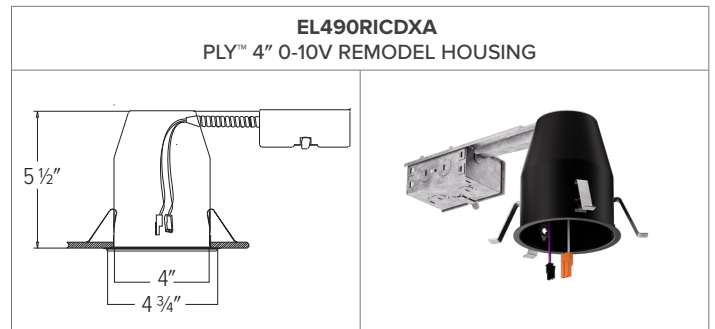
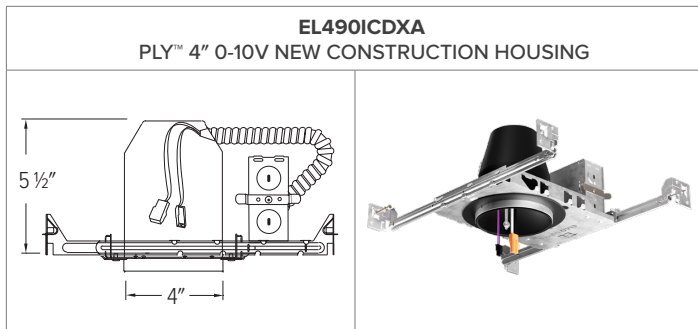
ITEM	STYLE	COLOR TEMPERATURE	DIMMING	FINISH
EL4				
EL4	<b>87</b> Reflector	<b>CT5</b> 27K, 30K, 35K, 40K, 50K	<b>(Blank)</b> 0-10V/Triac/ELV	<b>W</b> ◆ All White <b>BB</b> All Black  ◆ = ELCO's Choice
	<sup>1</sup> Lumen Switch (Wattage): 1000 lm (10W), 1400 lm (14W), 1800 lm (18W)	<sup>1</sup> Manual switch to choose desired Color Temperature and Lumen Output		

## SQUARE ADJUSTABLE TRIMS

ITEM	STYLE	COLOR TEMPERATURE	DIMMING	FINISH
EL4				
EL4	<b>47</b> Adjustable Pull-Down	<b>27</b> 2700K <sup>1</sup> <b>30</b> ◆ 3000K <sup>2</sup>	<b>DX</b> 0-10V/Triac/ELV <sup>2</sup>	<b>W</b> ◆ All White <b>B</b> All Black <sup>1</sup> <b>BZ</b> All Bronze <sup>2</sup>  ◆ = ELCO's Choice
		◆ = ELCO's Choice <sup>1</sup> Lumens (Wattage): 850 lm (12.6W) <sup>2</sup> Lumens (Wattage) 900 lm (12.6W)		

## PRODUCT DIMENSIONS

### 0-10V PLY™ LED HOUSINGS



### Hanger Bars for PLY™ Butterfly New Construction Housings

27" Flat Hanger  
Bars for Wood  
Construction (Set of 2)  
**FB27**



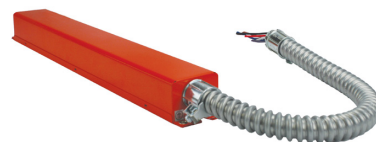
26" C-Channel  
Hanger Bars for  
T-Bar Ceilings (Set of 2)  
**CH26**



## ACCESSORIES

### EMERGENCY BATTERY BACKUP

**KEM-LED5**  
EMERGENCY BATTERY BACKUP



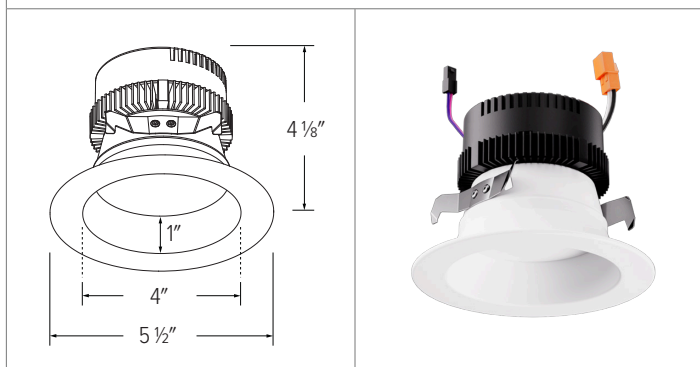
#### KEM-LD5

90 minutes of emergency operation.  
0°C to 50°C operating temperature.  
Input: 120/277VAC, 50-60Hz, 25W Max  
Output: ~110VDC (120VAC input)/ ~270VDC (277VAC input)  
Charging time: 36 hours  
Compatible with EL770ICDXA, EL760ICDXA  
cUL listed

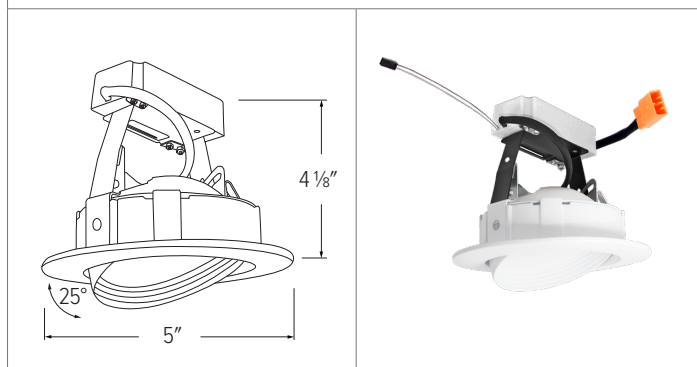
## PRODUCT DIMENSIONS

### PLY™ ROUND & SQUARE TRIMS

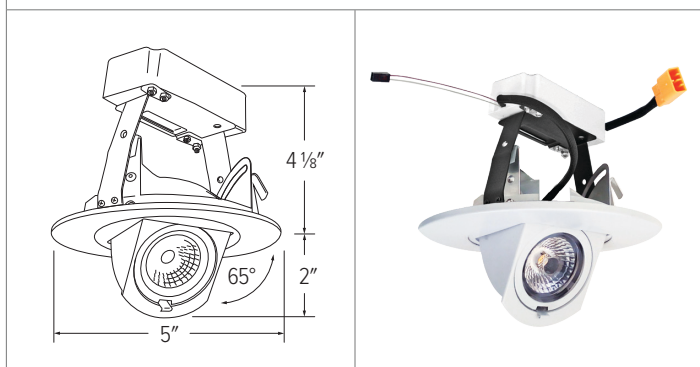
**EL475CT5 - 4" ROUND FIXED REFLECTOR WITH 5-CCT & LUMEN SWITCH**



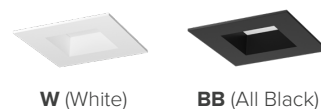
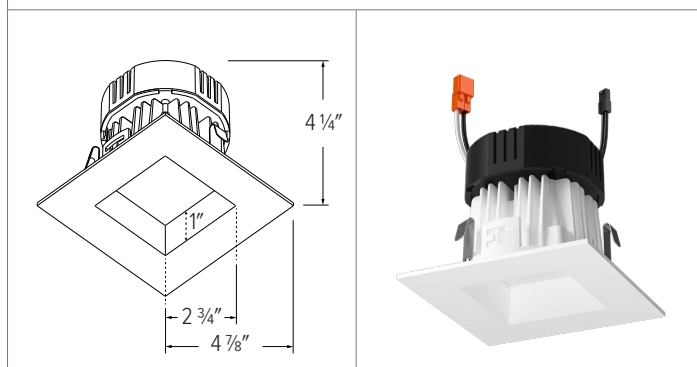
**EL414 - 4" ROUND ADJUSTABLE GIMBAL**



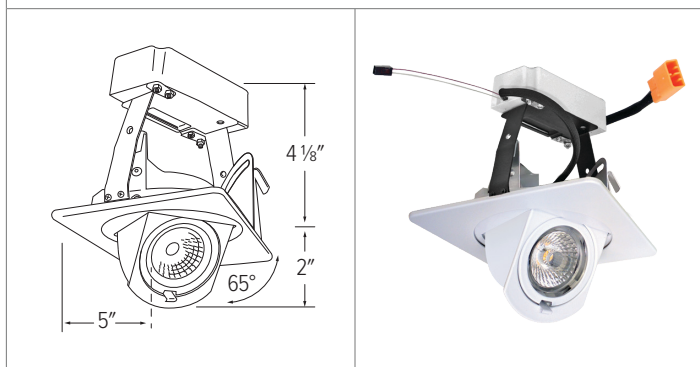
**EL497 - 4" ROUND ADJUSTABLE PULL-DOWN**



**EL487 - 4" SQUARE FIXED REFLECTOR WITH 5-CCT & LUMEN SWITCH**



**EL447 - 4" SQUARE ADJUSTABLE PULL-DOWN**



## ACCESSORIES

### INTERCHANGEABLE LENS

**EP710C/EP712C**  
FOR EL497 & EL447 SERIES ONLY



EP710C 20° Beam

EP712C 60° Beam

---

## TECHNICAL DETAILS

---

**Optics:** Frosted polycarbonate lens diffuses light evenly throughout while reducing glare with LED technology.

**Construction (Housing):** Single wall IC rated for direct contact with insulation, for use in IC or non-IC conditions. Housing adjusts in frame to accommodate up to 1 1/4" ceiling thickness. Airtight housing with gasket to restrict airflow in accordance with ASTM E-283 air-tight requirements. Steel housing for greater heat dissipation. Stamped galvanized steel frame.

**Construction (Light Engine):** For use in IC and non-IC applications. High quality powder coat prevents rust and cracking.

**Installation (Housing):** Designed for ceiling plenums where 2x6 joists or taller joists are used. High strength hanger bars can easily be nailed to joists. Maximum hole cutout is 6 1/4". Suitable for T-grid and drop ceiling applications. See installation sheet for detailed information.

**Installation (Remodel):** Designed for ceiling plenums where 2x6 joists or taller joists are used. Maximum hole cutout is 4 1/4". Suitable for T-grid and drop ceiling applications. See installation sheet for detailed information.

**Installation (Light Engine):** For use with ELCO 4" Ply™ Housings EL49FICDXA, EL49FICDXA-B, EL490ICDXA, EL490ICDXA-B, EL490ICDXA-EM5, EL490RICDXA.

**Junction Box:** Positioned to accommodate straight conduit runs. Seven 1/2" trade size conduit knockouts, four 3/4" knockouts. Pry-out knockout slots. 4 Romex pryouts with strain relief.

**Hanger Bars:** Pre-installed hanger bars with TrueNail facilitate easy installation in regular lumber, engineered lumber, and laminated beams. Integral T-bar slots for easy installation in T-bars. Spans up to 24" and can be repositioned 90°. Score lines allow for tool-free hanger bar size reduction. Integral leveling flange allows for single-person installation while aligning the housings with the joists.

**Input Voltage:** 120/277V. Inherently protected. Fixture rated for 24W MAX. LED insert

**LED Technology:** Extremely accurate color rendering with 90+ CRI. Lumen Maintenance of 50,000 hours L70 Life based on LM80 standardized test results. Superior Thermal Management by utilizing integral heat sink. Instant On to Full Brightness. No LED pixelation.

**Electrical (Light Engine):** Driver connects to 120/277V power supply. High Efficiency driver with a power factor > 0.9. Start time of less than .75 seconds.

**Dimming:** Works with 0-10V dimmers. Dims down to 10%. For full list of dimmers refer to the Dimmer Compatibility List. Industry leading dimming. Dims smoothly with no hot spots or flickering.

**Emergency Battery Pack:** Optional 90 minute battery pack available with test indicator switch. Note that double wall housings require Access From Above Ceiling for Battery Maintenance.

**Listings:** cUL Listed for Damp Location. cUL Listed for Wet Location with select trims. cUL Listed for Feed Through. cUL Listed for Direct Contact with Insulation and Combustible Material. Airtight per ASTM E-283. JA8-2016-E Title 24 Compliant. RoHS Compliant. ENERGY STAR® Certified.

**Warranty:** ELCO Lighting warrants products will be free from defects in materials and workmanship for a period of 5 years.

## DIMMER COMPATIBILITY CHART

### FOR REFERENCE ONLY

Testing conducted by ELCO Lighting is not a substitute for and does not imply certification by an independent laboratory or any other standards certification. Refer to manufacturer specifications for more detailed information on product certifications and standards. Consult the dimmer manufacturer prior to installation to ensure compatibility.

MANUFACTURER	PRODUCT	PART NUMBER	DIMMED LIGHT OUTPUT RANGE
Lutron	Diva®, 120/277V, 0-10V, Single Pole, 3-Way	DVSTV-WH	10% - 100%
	Nova T®, 120/277V, 0-10V, Single Pole, Slide-to-off	NTSTV-DV-WH	10% - 100%
Philips	Sunrise, 120/277V, 0-10V, LED/CFL, Preset Slider, 3-Way	SR1200ZTUNV	10% - 100%

**\*NOTE: Refer to dimmer manufacturer's documentation for installation instructions and circuit details**

Disclaimer: Minimum and maximum loads for LEDs and CFLs are given in number of lamps and may vary depending on the lamp being used. Testing conducted by ELCO Lighting is not a substitute for and does not imply certification by an independent laboratory or any other standards certification. Refer to manufacturer specifications for more detailed information on product certifications and standards.

Integrating our lighting with your Smart Home System is a breeze. Simply check your Smart Home system for compatible smart switches and cross reference that with our Dimming Compatibility Chart.

Once the switches are integrated with your Smart Home system your lights will be ready to go.



# 4" PLY™ SYSTEM

PHOTOMETRIC REPORT	CANDLE POWER SUMMARY		ILLUMINANCE AT A DISTANCE		
	Degree Vertical	0°	Distance to Target Plane	Center Beam Footcandles	Beam Diameter
<b>Product:</b> EL487CT5 (10W - 2700K) <b>Wattage/Lumens:</b> 9.19W / 937.3 lm <b>Luminaire LPW:</b> 101.9 lm/W	0	562	4'	35.1	5.9'
	5	556	6'	15.6	8.9'
	15	517	8'	8.78	11.8'
	25	419	10'	5.62	14.8'
	35	293	<b>ZONAL LUMEN SUMMARY</b>		
	45	186			
	55	111	Zone	Lumens	%Luminaire
	65	58	0-30°	398.4	42.5
	75	29	0-40°	590.9	63.1
	85	1	0-60°	841.7	89.8
	90	0	0-90°	937.2	100

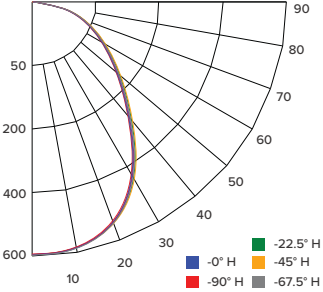
PHOTOMETRIC REPORT	CANDLE POWER SUMMARY		ILLUMINANCE AT A DISTANCE		
	Degree Vertical	0°	Distance to Target Plane	Center Beam Footcandles	Beam Diameter
<b>Product:</b> EL487CT5 (10W - 3000K) <b>Wattage/Lumens:</b> 9.12W / 958.6 lm <b>Luminaire LPW:</b> 105.1 lm/W	0	574	4'	35.9	5.9'
	5	569	6'	16.0	8.9'
	15	528	8'	8.98	11.8'
	25	428	10'	5.74	14.8'
	35	300	<b>ZONAL LUMEN SUMMARY</b>		
	45	190			
	55	113	Zone	Lumens	%Luminaire
	65	59	0-30°	407.2	42.5
	75	30	0-40°	604.1	63
	85	1	0-60°	860.8	89.8
	90	0	0-90°	958.5	100

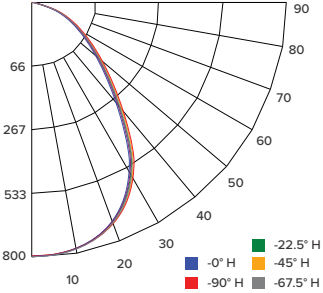
PHOTOMETRIC REPORT	CANDLE POWER SUMMARY		ILLUMINANCE AT A DISTANCE		
	Degree Vertical	0°	Distance to Target Plane	Center Beam Footcandles	Beam Diameter
<b>Product:</b> EL487CT5 (10W - 3500K) <b>Wattage/Lumens:</b> 9.02W / 980 lm <b>Luminaire LPW:</b> 108.6 lm/W	0	587	4'	36.7	5.9'
	5	581	6'	16.3	8.9'
	15	540	8'	9.17	11.9'
	25	437	10'	5.87	14.9'
	35	307	<b>ZONAL LUMEN SUMMARY</b>		
	45	195			
	55	116	Zone	Lumens	%Luminaire
	65	61	0-30°	416.0	42.5
	75	31	0-40°	617.3	63
	85	1	0-60°	879.9	89.8
	90	0	0-90°	979.9	100

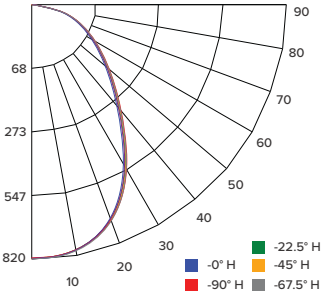
PHOTOMETRIC REPORT	CANDLE POWER SUMMARY		ILLUMINANCE AT A DISTANCE		
	Degree Vertical	0°	Distance to Target Plane	Center Beam Footcandles	Beam Diameter
<b>Product:</b> EL487CT5 (10W - 4000K) <b>Wattage/Lumens:</b> 9.11W / 987.3 lm <b>Luminaire LPW:</b> 108.3 lm/W	0	591	4'	36.9	5.9'
	5	585	6'	16.4	8.9'
	15	543	8'	9.23	11.9'
	25	440	10'	5.91	14.9'
	35	309	<b>ZONAL LUMEN SUMMARY</b>		
	45	196			
	55	117	Zone	Lumens	%Luminaire
	65	61	0-30°	418.9	42.4
	75	31	0-40°	621.6	63
	85	1	0-60°	886.3	89.8
	90	0	0-90°	987.1	100

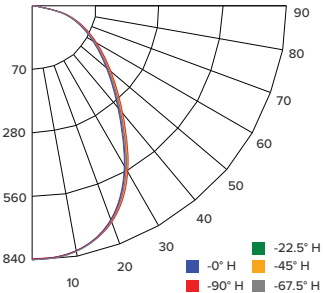


# 4" PLY™ SYSTEM

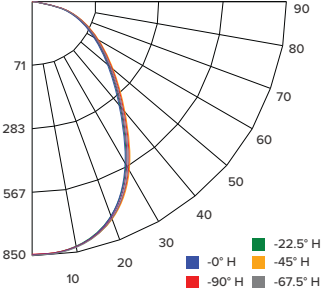
PHOTOMETRIC REPORT	CANDLE POWER SUMMARY		ILLUMINANCE AT A DISTANCE		
	Degree Vertical	0°	Distance to Target Plane	Center Beam Footcandles	Beam Diameter
<b>Product: EL487CT5 (10W - 5000K)</b> <b>Wattage/Lumens: 9.2W / 991.1 lm</b> <b>Luminaire LPW: 107.7 lm/W</b> 	0	821	4'	37.0	5.9'
	5	794	6'	16.4	8.9'
	15	552	8'	9.25	11.9'
	25	238	10'	5.92	14.8'
	35	66	<b>ZONAL LUMEN SUMMARY</b>		
	45	20			
	55	9	Zone	Lumens	%Luminaire
	65	5	0-30°	420.0	42.4
	75	3	0-40°	623.5	62.9
	85	0	0-60°	101.5	89.8
90	0	0-90°	990.9	100	

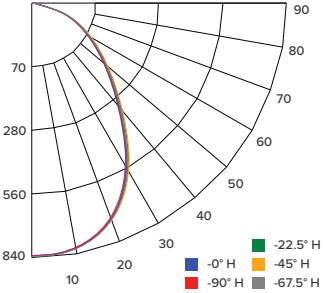
PHOTOMETRIC REPORT	CANDLE POWER SUMMARY		ILLUMINANCE AT A DISTANCE		
	Degree Vertical	0°	Distance to Target Plane	Center Beam Footcandles	Beam Diameter
<b>Product: EL487CT5 (14W - 2700K)</b> <b>Wattage/Lumens: 13.2W / 1328 lm</b> <b>Luminaire LPW: 100.6 lm/W</b> 	0	796	4'	49.8	5.9'
	5	789	6'	22.1	8.9'
	15	732	8'	12.4	11.8'
	25	593	10'	7.96	14.8'
	35	416	<b>ZONAL LUMEN SUMMARY</b>		
	45	263			
	55	157	Zone	Lumens	%Luminaire
	65	82	0-30°	564.5	42.5
	75	42	0-40°	837.2	63.1
	85	1	0-60°	1,192.4	89.8
90	0	0-90°	1,327.8	100	

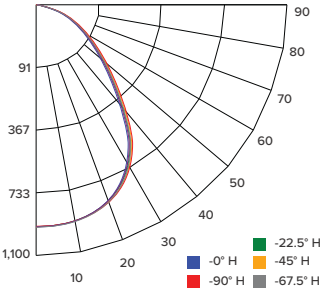
PHOTOMETRIC REPORT	CANDLE POWER SUMMARY		ILLUMINANCE AT A DISTANCE		
	Degree Vertical	0°	Distance to Target Plane	Center Beam Footcandles	Beam Diameter
<b>Product: EL487CT5 (14W - 3000K)</b> <b>Wattage/Lumens: 13.1W / 1364 lm</b> <b>Luminaire LPW: 104.1 lm/W</b> 	0	818	4'	51.1	5.9'
	5	809	6'	22.7	8.9'
	15	752	8'	12.8	11.8'
	25	609	10'	8.18	14.8'
	35	427	<b>ZONAL LUMEN SUMMARY</b>		
	45	270			
	55	161	Zone	Lumens	%Luminaire
	65	85	0-30°	579.5	42.5
	75	43	0-40°	859.6	63
	85	1	0-60°	1,224.6	89.8
90	0	0-90°	1,363.8	100	

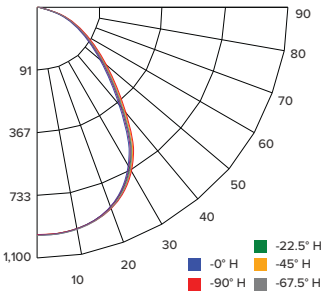
PHOTOMETRIC REPORT	CANDLE POWER SUMMARY		ILLUMINANCE AT A DISTANCE		
	Degree Vertical	0°	Distance to Target Plane	Center Beam Footcandles	Beam Diameter
<b>Product: EL487CT5 (14W - 3500K)</b> <b>Wattage/Lumens: 12.9W / 1399.8 lm</b> <b>Luminaire LPW: 108.5 lm/W</b> 	0	838	4'	52.4	5.9'
	5	830	6'	23.3	8.9'
	15	771	8'	13.1	11.9'
	25	625	10'	8.38	14.8'
	35	438	<b>ZONAL LUMEN SUMMARY</b>		
	45	277			
	55	166	Zone	Lumens	%Luminaire
	65	87	0-30°	594.4	42.5
	75	44	0-40°	881.7	63
	85	1	0-60°	1,256.6	89.8
90	0	0-90°	1,399.6	100	

# 4" PLY™ SYSTEM

PHOTOMETRIC REPORT	CANDLE POWER SUMMARY		ILLUMINANCE AT A DISTANCE																		
	Degree Vertical	0°	Distance to Target Plane	Center Beam Footcandles	Beam Diameter																
<b>Product: EL487CT5 (14W - 4000K)</b> <b>Wattage/Lumens: 13.1W / 1407.6 lm</b> <b>Luminaire LPW: 107.4 lm/W</b> 	0	842	4'	52.6	5.9'																
	5	834	6'	23.4	8.9'																
	15	775	8'	13.2	11.9'																
	25	628	10'	8.42	14.9'																
	35	441	<b>ZONAL LUMEN SUMMARY</b>			<table border="1"> <thead> <tr> <th>Zone</th> <th>Lumens</th> <th>%Luminaire</th> </tr> </thead> <tbody> <tr> <td>0-30°</td> <td>597.3</td> <td>42.4</td> </tr> <tr> <td>0-40°</td> <td>886.1</td> <td>63</td> </tr> <tr> <td>0-60°</td> <td>1,263.4</td> <td>89.8</td> </tr> <tr> <td>0-90°</td> <td>1,407.4</td> <td>100</td> </tr> </tbody> </table>	Zone	Lumens	%Luminaire	0-30°	597.3	42.4	0-40°	886.1	63	0-60°	1,263.4	89.8	0-90°	1,407.4	100
	Zone	Lumens					%Luminaire														
	0-30°	597.3					42.4														
	0-40°	886.1					63														
	0-60°	1,263.4					89.8														
	0-90°	1,407.4					100														
45	279																				
55	167																				
65	87																				
75	44																				
85	1																				
90	0																				

PHOTOMETRIC REPORT	CANDLE POWER SUMMARY		ILLUMINANCE AT A DISTANCE																		
	Degree Vertical	0°	Distance to Target Plane	Center Beam Footcandles	Beam Diameter																
<b>Product: EL487CT5 (14W - 5000K)</b> <b>Wattage/Lumens: 13.3W / 1395.9 lm</b> <b>Luminaire LPW: 104.9 lm/W</b> 	0	834	4'	52.1	5.9'																
	5	826	6'	23.2	8.9'																
	15	767	8'	13.0	11.8'																
	25	622	10'	8.34	14.8'																
	35	437	<b>ZONAL LUMEN SUMMARY</b>			<table border="1"> <thead> <tr> <th>Zone</th> <th>Lumens</th> <th>%Luminaire</th> </tr> </thead> <tbody> <tr> <td>0-30°</td> <td>591.7</td> <td>42.4</td> </tr> <tr> <td>0-40°</td> <td>878.2</td> <td>62.9</td> </tr> <tr> <td>0-60°</td> <td>1,252.7</td> <td>89.7</td> </tr> <tr> <td>0-90°</td> <td>1,395.7</td> <td>100</td> </tr> </tbody> </table>	Zone	Lumens	%Luminaire	0-30°	591.7	42.4	0-40°	878.2	62.9	0-60°	1,252.7	89.7	0-90°	1,395.7	100
	Zone	Lumens					%Luminaire														
	0-30°	591.7					42.4														
	0-40°	878.2					62.9														
	0-60°	1,252.7					89.7														
	0-90°	1,395.7					100														
45	277																				
55	166																				
65	87																				
75	44																				
85	1																				
90	0																				

PHOTOMETRIC REPORT	CANDLE POWER SUMMARY		ILLUMINANCE AT A DISTANCE																		
	Degree Vertical	0°	Distance to Target Plane	Center Beam Footcandles	Beam Diameter																
<b>Product: EL487CT5 (18W - 2700K)</b> <b>Wattage/Lumens: 17.2W / 1679.3 lm</b> <b>Luminaire LPW: 97.6 lm/W</b> 	0	1007	4'	62.9	5.9'																
	5	997	6'	28.0	8.9'																
	15	926	8'	15.7	11.8'																
	25	750	10'	10.1	14.8'																
	35	526	<b>ZONAL LUMEN SUMMARY</b>			<table border="1"> <thead> <tr> <th>Zone</th> <th>Lumens</th> <th>%Luminaire</th> </tr> </thead> <tbody> <tr> <td>0-30°</td> <td>713.9</td> <td>42.5</td> </tr> <tr> <td>0-40°</td> <td>1,058.7</td> <td>63.1</td> </tr> <tr> <td>0-60°</td> <td>1,507.6</td> <td>89.8</td> </tr> <tr> <td>0-90°</td> <td>1,679.0</td> <td>100</td> </tr> </tbody> </table>	Zone	Lumens	%Luminaire	0-30°	713.9	42.5	0-40°	1,058.7	63.1	0-60°	1,507.6	89.8	0-90°	1,679.0	100
	Zone	Lumens					%Luminaire														
	0-30°	713.9					42.5														
	0-40°	1,058.7					63.1														
	0-60°	1,507.6					89.8														
	0-90°	1,679.0					100														
45	332																				
55	198																				
65	104																				
75	53																				
85	1																				
90	0																				

PHOTOMETRIC REPORT	CANDLE POWER SUMMARY		ILLUMINANCE AT A DISTANCE																		
	Degree Vertical	0°	Distance to Target Plane	Center Beam Footcandles	Beam Diameter																
<b>Product: EL487CT5 (18W - 3000K)</b> <b>Wattage/Lumens: 17.1W / 1733.1 lm</b> <b>Luminaire LPW: 101.3 lm/W</b> 	0	1039	4'	64.9	5.9'																
	5	1028	6'	28.9	8.9'																
	15	955	8'	16.2	11.8'																
	25	774	10'	10.4	14.8'																
	35	542	<b>ZONAL LUMEN SUMMARY</b>			<table border="1"> <thead> <tr> <th>Zone</th> <th>Lumens</th> <th>%Luminaire</th> </tr> </thead> <tbody> <tr> <td>0-30°</td> <td>736.5</td> <td>42.5</td> </tr> <tr> <td>0-40°</td> <td>1,092.3</td> <td>63</td> </tr> <tr> <td>0-60°</td> <td>1,555.9</td> <td>89.8</td> </tr> <tr> <td>0-90°</td> <td>1,732.9</td> <td>100</td> </tr> </tbody> </table>	Zone	Lumens	%Luminaire	0-30°	736.5	42.5	0-40°	1,092.3	63	0-60°	1,555.9	89.8	0-90°	1,732.9	100
	Zone	Lumens					%Luminaire														
	0-30°	736.5					42.5														
	0-40°	1,092.3					63														
	0-60°	1,555.9					89.8														
	0-90°	1,732.9					100														
45	343																				
55	205																				
65	107																				
75	54																				
85	1																				
90	0																				

# 4" PLY™ SYSTEM

PHOTOMETRIC REPORT	CANDLE POWER SUMMARY		ILLUMINANCE AT A DISTANCE		
	Degree Vertical	0°	Distance to Target Plane	Center Beam Footcandles	Beam Diameter
<b>Product: EL487CT5 (18W - 3500K)</b> <b>Wattage/Lumens: 16.8W / 1789 lm</b> <b>Luminaire LPW: 106.4 lm/W</b>	0	1071	4'	67.0	5.9'
	5	1061	6'	29.8	8.9'
	15	985	8'	16.7	11.9'
	25	798	10'	10.7	14.8'
	35	560	<b>ZONAL LUMEN SUMMARY</b>		
	45	354			
	55	211	Zone	Lumens	%Luminaire
	65	111	0-30°	759.7	42.5
	75	56	0-40°	1,126.9	63
	85	2	0-60°	1,605.8	89.8
	90	0	0-90°	1,788.7	100

PHOTOMETRIC REPORT	CANDLE POWER SUMMARY		ILLUMINANCE AT A DISTANCE		
	Degree Vertical	0°	Distance to Target Plane	Center Beam Footcandles	Beam Diameter
<b>Product: EL487CT5 (18W - 4000K)</b> <b>Wattage/Lumens: 17.2W / 1813 lm</b> <b>Luminaire LPW: 105.4 lm/W</b>	0	1085	4'	67.8	5.9'
	5	1073	6'	30.1	8.9'
	15	997	8'	17.0	11.9'
	25	808	10'	10.8	14.8'
	35	567	<b>ZONAL LUMEN SUMMARY</b>		
	45	358			
	55	213	Zone	Lumens	%Luminaire
	65	112	0-30°	769.5	42.4
	75	57	0-40°	1,141.5	63
	85	2	0-60°	1,627.1	89.8
	90	0	0-90°	1,812.7	100

PHOTOMETRIC REPORT	CANDLE POWER SUMMARY		ILLUMINANCE AT A DISTANCE		
	Degree Vertical	0°	Distance to Target Plane	Center Beam Footcandles	Beam Diameter
<b>Product: EL487CT5 (18W - 5000K)</b> <b>Wattage/Lumens: 17.9W / 1838.8 lm</b> <b>Luminaire LPW: 102.7 lm/W</b>	0	1100	4'	68.7	5.9'
	5	1086	6'	30.5	8.9'
	15	1008	8'	17.2	11.9'
	25	817	10'	11.0	14.8'
	35	574	<b>ZONAL LUMEN SUMMARY</b>		
	45	362			
	55	216	Zone	Lumens	%Luminaire
	65	114	0-30°	780.1	42.4
	75	57	0-40°	1,157.5	63
	85	2	0-60°	1,650.2	89.8
	90	0	0-90°	1,838.5	100