

Residential Lighting

The
OakTM
System

1" Miniature LED Downlights





Introducing The **Oak™** System

The 1" Oak™ System contains our smallest LED recessed fixtures. These 12V AC downlights and gimbals are engineered to squeeze into the tiniest of spaces, indoors or outdoors, yet still provide enough power to light up the surroundings. With over 600 lumens delivered, they produce more brilliant white light than a traditional 50W halogen product. The 1" Oak™ System is IC rated for insulated ceilings, and can be easily daisy-chained for simple installation.

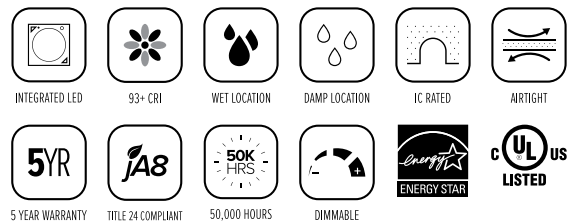


Up to 6 Oak™ fixtures can be daisy-chained to one E1LDRV60

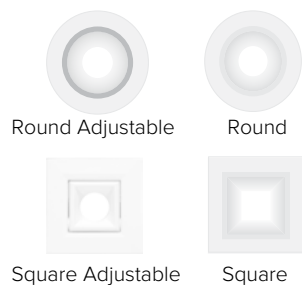


FEATURES

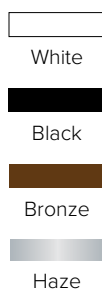
- IC Airtight for use with direct contact to insulation
- Height allows for use in 2 x 4 construction
- Daisy chain up to 6 fixtures with E1LDRV60
- Standard with 38° beam, optional 28° and 50°
- Remodel requires no frame
- New construction frame available
- JA8-2016-E, UL, and Energy Star Listed
- Life Span 50,000 Hours L70



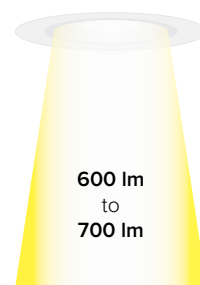
STYLES



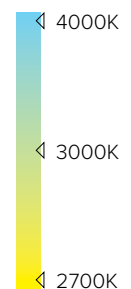
FINISHES



LUMENS



COLOR TEMPERATURE



Oak™ Recessed Downlight

Small aperture 12V AC Downlight delivers over 600 lumens. More light than a traditional 50W MR16 Halogen Lamp. Requires 12V AC Transformer (daisy chain up to 6). Dimmable MLV or ELV depending on transformer used.

- IC Airtight for use with direct contact with insulation
- Height allows for use in 2 x 4 construction
- Daisy chain up to 6 fixtures with E1LDRV60
- 38° Standard beam with optional 28° and 50°
- Remodel requires no frame
- New construction frame available
- Wet Location Rated for Indoor and Outdoor Use
- JA8-2016-E, UL, and Energy Star Listed
- Life Span 50,000 Hours L70



(W) White



(B) Black



(BZ) Bronze



(H) Haze



(BB) All Black



(W) White



(B) Black



(BZ) Bronze



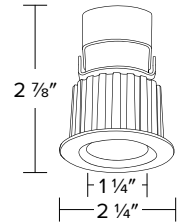
(H) Haze



(BB) All Black

1" Round Downlight

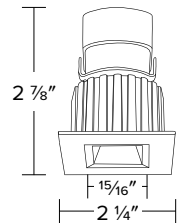
Input Power: 6W
Lumens: 600 - 675 lm
Color Temp: 2700K - 4000K
CRI: 93+
Input Volt: 12V AC
Wet Loc: UL Listed
Dimmable: ELV/MLV



Finish	2700K 600 lm	3000K 625 lm	4000K 675 lm
W	E1L02F27W	E1L02F30W	E1L02F40W
B	E1L02F27B	E1L02F30B	E1L02F40B
BZ	E1L02F27BZ	E1L02F30BZ	E1L02F40BZ
H	E1L02F27H	E1L02F30H	E1L02F40H
BB	E1L02F27BB	E1L02F30BB	E1L02F40BB

1" Square Downlight

Input Power: 6W
Lumens: 600 - 675 lm
Color Temp: 2700K - 4000K
CRI: 93+
Input Volt: 12V AC
Wet Loc: UL Listed
Dimmable: ELV/MLV



Finish	2700K 600 lm	3000K 625 lm	4000K 675 lm
W	E1L12F27W	E1L12F30W	E1L12F40W
B	E1L12F27B	E1L12F30B	E1L12F40B
BZ	E1L12F27BZ	E1L12F30BZ	E1L12F40BZ
H	E1L12F27H	E1L12F30H	E1L12F40H
BB	E1L12F27BB	E1L12F30BB	E1L12F40BB

PRODUCT NUMBER BUILDER

Trim	Style	Beam Angle	Color Temperature	Finish
E1L	02 Round 12 Square	F 38° NF 28° WF 50°	27 2700K 30 3000K 40 4000K	W White B Black BZ Bronze H Haze BB All Black

Oak™ Recessed **Adjustable**

Small aperture 12V AC Adjustable downlight delivers over 600 lumens with 30° adjustability. More light than a traditional 50W MR16 Halogen Lamp. Requires E1LDRV60 (daisy chain up to 6). Dimmable MLV or ELV depending on transformer used.

- IC for use with direct contact with insulation
- 30° Gimbal adjustability
- Height allows for use in 2 x 4 construction
- Daisy chain up to 6 fixtures with E1LDRV60
- 38° Standard beam with optional 28° and 50°
- Remodel requires no frame
- New construction frame available
- JA8-2016-E, UL, and Energy Star Listed
- Life Span 50,000 Hours L70



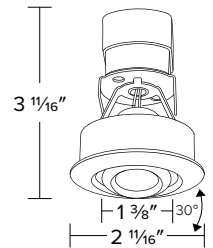
(W) White (B) All Black (BZ) Bronze



(W) White (B) All Black (BZ) Bronze

1" Round Gimbal

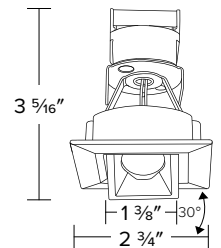
Input Power: 6W
Lumens: 625 - 700 lm
Color Temp: 2700K - 4000K
CRI: 93+
Input Volt: 12V AC
Damp Loc: UL Listed
Dimmable: ELV/MLV



Finish	2700K 625 lm	3000K 650 lm	4000K 700 lm
W	E1L32F27W	E1L32F30W	E1L32F40W
B	E1L32F27B	E1L32F30B	E1L32F40B
BZ	E1L32F27BZ	E1L32F30BZ	E1L32F40BZ

1" Square Pull Down

Input Power: 6W
Lumens: 625 - 700 lm
Color Temp: 2700K - 4000K
CRI: 93+
Input Volt: 12V AC
Damp Loc: UL Listed
Dimmable: ELV/MLV



Finish	2700K 625 lm	3000K 650 lm	4000K 700 lm
W	E1L22F27W	E1L22F30W	E1L22F40BZ
B	E1L22F27B	E1L22F30B	E1L22F40BZ
BZ	E1L22F27BZ	E1L22F30B	E1L22F40BZ

PRODUCT NUMBER BUILDER

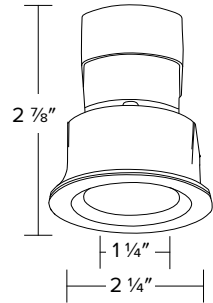
Trim	Style	Beam Angle	Color Temperature	Finish
E1L				
	32 Round	F 38°	27 2700K	W White
	22 Square	NF 28°	30 3000K	B All Black
		WF 50°	40 4000K	BZ Bronze

Oak™ Cove Light



- IC Airtight for use with direct contact with insulation
- Height allows for use in 2 x 4 construction
- Daisy chain up to 10 fixtures with E1LDRV60
- Life Span 50,000 Hours L70
- Non-dimmable
- 38° fixed beam angle only

Input Power: 3W
Lumens: 180 lm
Color Temp: 3000K
CRI: 93+
Input Volt: 12V AC
Damp Loc: ETL Listed



Finish 3000K / 180 lm
White E111F30W

Oak™ Accessories

POWER SUPPLIES



E1LDRV60
Enclosed Electronic Transformer

- Fits through ceiling hole
- Electronic Low Voltage (ELV)
- Dimmable
- 12V AC output, 120V Input
- 60W
- Daisy chain up to 6 Oak Fixtures on one transformer
- Dimensions:
5 1/8" L x 1 3/8" W x 1" H



LET-60 (120V Input)
LET-60H (120V Input, Hatch)
LET-60-277 (277V Input)
 Electronic Transformer

- Electronic Low Voltage (ELV)
- Dimmable (120V only)
- 12V AC output.
- 60W
- For remote installation
- Daisy chain up to 6 Oak Fixtures on one transformer
- Dimensions:
5 1/8" L x 1 3/8" W x 1" H



LET-60DX (120V Input)
LET-60DX-277 (277V Input)
 0-10V Dimmable Electronic Transformer

- 0-10V Dimmable
- 12V AC output
- 60W
- Daisy chain up to 6 fixtures
- For remote installation
- Dimensions:
3 1/4" L x 1 1/2" W x 3/4" H



ETR12 (50W, Daisy Chain 2-6)
ETR12-20 (20W, Daisy Chain 1-3)
 Magnetic Transformer

- For remote installation
- Magnetic Low Voltage (MLV)
- Dimmable
- 12V AC output, 120V input
- 50W
- Daisy chain up to 6 Oak Fixtures on one transformer
- Dimensions:
2 1/4" L x 1 7/8" W x 3" H

TRIMS For use with E1L02 and E1L12 only



RM1W White



RM1B Black w/
white



RM1BZ Bronze



RM1H Haze w/
white



RM1BB All Black



RM11W White



RM11B Black w/
white



RM11BZ Bronze



RM11H Haze w/
white



RM11BB All Black

OPTIONAL LENSES (FIELD CHANGEABLE FOR E1L02, E1L12 & E1L32)



EP713C (28°)

EP714C (38°)

EP715C (50°)

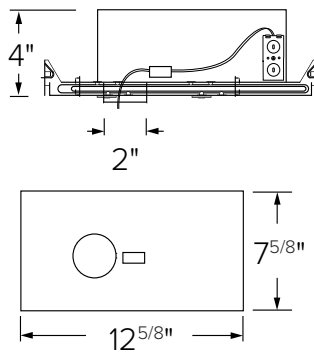
Oak™ Frames

MOUNTING FRAMES



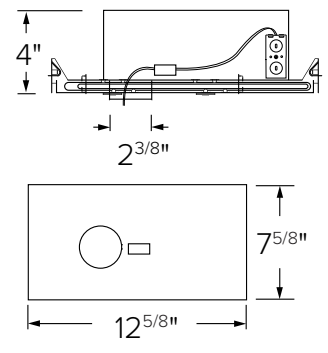
- E1LF1ICAJ** (120V Input, ELV Dimmable)
- E1LF1ICAJ-7** (277V Input)
- E1LF1ICAJDX** (120V Input, 0-10V Dimmable)
- E1LF1ICAJDX-7** (277V Input, 0-10V Dimmable)

- R60 Insulation housing, IC Airtight.
- Includes individual 12V AC electronic transformer.
- 2" cutout for downlight E1L02, E1L12 and E111F.



- E1LF2ICAJ** (120V Input, ELV Dimmable)
- E1LF2ICAJ-7** (277V Input)
- E1LF2ICAJDX** (120V Input, 0-10V Dimmable)
- E1LF2ICAJDX-7** (277V Input, 0-10V Dimmable)

- R60 Insulation housing, IC Airtight.
- Includes individual electronic transformer.
- 2 3/8" cutout for adjustable E1L32 and E1L22.



E1LF1 (2" Cutout)

- New Construction frame for downlight E1L02, E1L12 and E111F.
- Requires Transformer.
- IC Rated with E1L02, E1L12 and E111F.



E1LF2 (2 3/8" Cutout)

- New Construction frame for adjustable E1L32 and E1L22.
- Requires Transformer.
- IC Rated with E1L32 and E1L22.



- E1LF1-M2** (2 Set)
- E1LF1-M3** (3 Set)
- E1LF1-M4** (4 Set)
- E1LF1-M5** (5 Set)

- New Construction Multiple Frame for downlight E1L02, E1L12 and E111F.
- Requires Transformer.
- For row mounting fixtures.
- IC Rated with E1L02, E1L12 and E111F.



- E1LF2-M2** (2 Set)
- E1LF2-M3** (3 Set)
- E1LF2-M4** (4 Set)
- E1LF2-M5** (5 Set)

- New Construction Multiple Frame for adjustable E1L32 and E1L22.
- Requires Transformer.
- For row mounting fixtures.
- IC Rated with E1L32 and E1L22.



Headquarters

2042 E. Vernon Ave.
Vernon, CA 90058
323.231.2600
elcolighting.com

Customer Service

Tel: 800.522.2626
Fax: 800.644.2626
customerservice@elcolighting.com
sales@elcolighting.com

Printed in the U.S.A. 06/18