

# 9" New Construction Architectural Frame with Driver



## Features

- Optional 90 minutes, 120/277 VAC, 60Hz Emergency Backup.
- USA designed and assembled.
- LED Light Engine and Hanger bars sold separately (see Compatible Products).

## Specifications

<b>Lumens</b>	1250 lm
<b>Voltage</b>	120/277V
<b>Dimmable</b>	Sunset
<b>Power Factor</b>	≥0.9
<b>Damp Location</b>	Listed

## Options



**Optional EM Battery Back-up**

## Technical Details

### Construction:

Constructed from 16 gauge galvanized steel for large architectural applications. Housing adjusts in frame to accommodate up to 2" ceiling thickness.

### Installation:

Designed for architectural buildings. Easily installed with hanger bars (ordered separately for specific application type). Light engine installed into frame.

**Junction Box:** Positioned to accommodate straight conduit runs. Seven 1/2" trade size conduit knockouts and four pry-out knockout slots for easy romex installation.

**Hanger Bars:** Hanger bars ordered separately as FB27: Set of two 27" hanger bars for wood construction or CH26: Set of two 26" C-Channel hanger bars for T-Bar Ceiling.

### Electrical:

- Driver is rated for 120V and 277V input (120/277V).
- High Efficiency driver with a power factor > 0.9.
- Can be specified with Lutron drivers for specific applications.

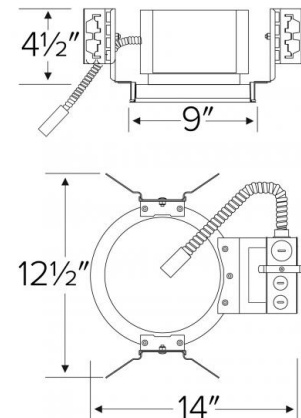
### Dimmability:

- 3 in 1 dimming: Triac, ELV and 0-10V dimming in one driver.
- 0-10V dimming down to 5% with a compatible dimmer.
- Flicker-Free Dimming.
- Can be specified with Lutron drivers for 0.1% and 1% dimming.
- For a full list of dimmers refer to the Dimmer Compatibility List.

**Listings:** cULus Listed for Damp Location. cULus Listed for Wet Location with select trims. cULus Listed for Direct Contact with Insulation and Combustible Material for units up to 2000 lm. cULus Listed for Feed Through. ENERGY STAR® Certified.

**Warranty:** ELCO Products are built to last. 5-year Limited warranty.

## Dimensions



## Product Number

Item	Lumens	Voltage	Dimming
<b>E9LHU12S</b>	1250 lm	120/277V	Sunset

# Product Number Builder

Example: **E9LHU08D**

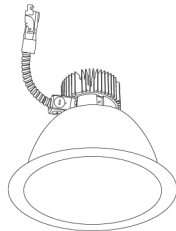
---

ELCO Laurel 9" Architectural Frame	Voltage	Lumens	Dimming	Optional
<input type="text" value="E9LH"/>	<input type="text"/>	<input type="text"/>	<input type="text"/>	<input type="text"/>
	<b>U</b> 120/277V	<b>08</b> 850 lm <b>12</b> 1250 lm <b>16</b> 1600 lm <b>20</b> 2000 lm <b>30</b> 3000 lm <b>40</b> 4000 lm <b>60</b> 6000 lm	<b>D</b> Triac/ELV/0-10V <b>S</b> Sunset <b>L</b> Lutron	No EM <b>EM1</b> 8W Emer. Backup <b>EM2</b> 12W Emer. Backup

---

For use with 9" Laurel™ Frames

## 9" Laurel™ Commercial LED Light Engines



**E910L**  
**Reflector Trim**

### PRODUCT NUMBER BUILDER

Laurel™ Trim	Lumen	Color Temperature	Finish	Beam Angle
<input type="text"/>	<input type="text"/>	<input type="text"/>	<input type="text"/>	<input type="text"/>
<b>E910L</b> Reflector	<b>08</b> 850 lm	<b>27</b> 2700K	<b>H</b> All Haze	<b>(blank)</b> 60°
	<b>12</b> 1250 lm	<b>30</b> 3000K	<b>W</b> All White	<b>-F</b> 36°
	<b>16</b> 1600 lm	<b>35</b> 3500K	<b>B</b> All Black	<b>-N</b> 25°
	<b>20</b> 2000lm	<b>40</b> 4000K	<b>C</b> All Chrome	<b>-S</b> 10°
	<b>30</b> 3000lm	<b>SD</b> Sunset Dimming	<b>HW</b> Haze w/White Ring	
	<b>40</b> 4000lm			
	<b>60</b> 6000lm			