

Square Corner Mount Aluminum Channel

The Ambio™ EUD34 is a high-quality aluminum channel designed to add an architectural element to LED strips while protecting them from dust and dirt. Manufactured with a frosted diffuser, that can be slid or popped on, the channel eliminates the dotting caused by LED diodes and allows the eye to simply glide across the smooth, wide distribution of light. And, owing to its superior thermal management the product extends the life of the LED Tape. Easy to install and easy to fit with standard lengths and factory custom cuts available.



Features

- Polycarbonate diffuser
- Silver aluminum finish
- Fits tape lights up to 9mm (3/8") max
- Includes frosted lens, 2 end caps, 4 mounting clips
- Aluminum Channel is approximately 92 1/4" long

Technical Details

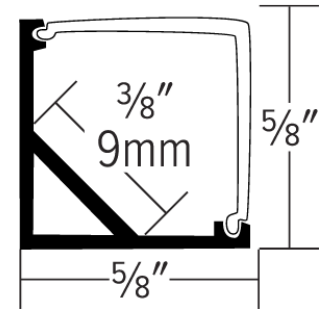
Construction: Premium grade aluminum channels. Can hold tape up to 9mm (3/8") wide.

Optics: Included frosted lens which eliminates LED pixilation and protects the LED strip. Lens can be popped on or slid onto the profile.

Installation: Can be mounted into corners. LED tape is placed into channel using 3M tape backing on LED Tape Light. Lens can be either popped or slid onto channel.

Compatible Tape: E15-24, E30-24 and EF26-24

Dimensions



Product Numbers

Item	Description	Finish
EUD34-8	Channel	Aluminum
EUD34	Custom Cut	Aluminum