

MR16 LED Lamp



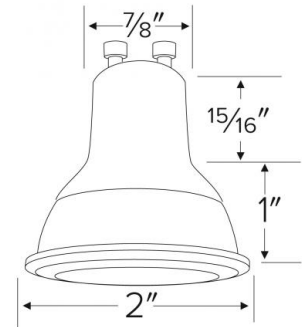
Features

- MR16 LED lamp with GU10 base, dimmable.

Specifications

Wattage	7W
Lumens	500 lm
Voltage	120V
Color Temp.	3000K
CRI	90

Dimensions



Product Numbers

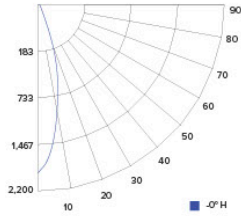
Item	Lumens	CCT	Watts	Voltage
MR120-GU10LD	500 lm	3000K	7W	120V

Photometric Report

LED MR16 with with GU10 base

PHOTOMETRIC REPORT

Product #: MR120-GU10LD
 Wattage / Lumens: 7W / 621 lm
 Luminaire LPW: 88.7 lm/W



CANDLE POWER SUMMARY

Degree Vertical	0°
0	2067
5	1611
15	520
25	139
35	61
45	33
55	19
65	13
75	6
85	1
90	0

ILLUMINANCE AT A DISTANCE

Distance to Target Plane	Center Beam Footcandles	Beam Diameter
4'	129	1.7'
6'	57.4	2.5'
8'	32.3	3.4'
10'	20.7	4.2'

ZONAL LUMEN SUMMARY

Zone	Lumens	%Luminaire
0-30°	464.2	77.9
0-40°	518.4	87
0-60°	570.9	95.8
0-90°	595.8	100