

# Mini LED Floodlight

Mini LED floodlights are ideal for illuminating building facades, wall washing building exteriors, sign lighting, landscape lighting, and improving building security. Heavy-duty die-cast aluminum construction and high quality components ensure ELCO floodlights will provide years of solid performance in almost any weather condition.



## Features

- Die-cast Aluminum Housing.
- Durable dark bronze coat finish.
- Knuckle mount for mounting on junction boxes or pipes.
- Trunnion mount for mounting on buildings, walls or flat surfaces.
- Standard input wattage: 15W (50W metal halide equivalent).

## Specifications

<b>Wattage</b>	15W
<b>Lumens</b>	1500 lm
<b>Voltage</b>	120/277V
<b>Color Temp.</b>	4000K
<b>Lamp Type</b>	LED
<b>CRI</b>	75+
<b>Power Factor</b>	> 0.9
<b>Wet Location</b>	Listed

## Options



Knuckle Mount



Trunnion Mount

## Technical Details

**Lamp:** Array LED, CRI 75+

**Optics:** Polycarbonate lens

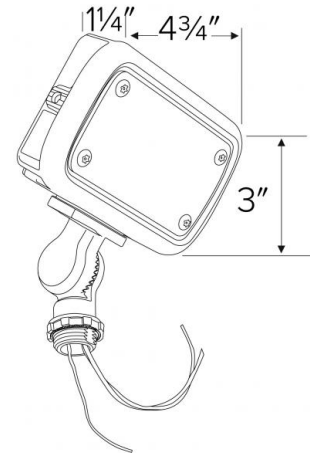
**Construction:** Die-cast aluminum housing. Dark bronze powder coated finish. Impact, corrosion, and UV resistant

**Electrical:** Constant current 120/277V AC Class 2 Driver with a power factor > 0.9. Ambient operating temperature: -40°F (-40°C) to 113°F (45°C). Standard input wattage: 15W (50W metal halide equivalent)

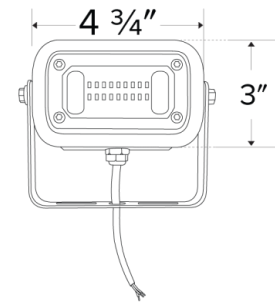
**Listings:** cUL listed for wet locations. LM-80 certified. IP65 rated.

**Warranty:** ELCO Lighting warrants products will be free from defects in materials and workmanship for a period of 5 years

## Dimensions



## Trunnion Mount



### Product Number

Item	Lamp type	Lumens	CCT	Watts	Voltage	Finish
EFL15S40WFK	LED	1500 lm	4000K	15W	120/277V	Dark Bronze

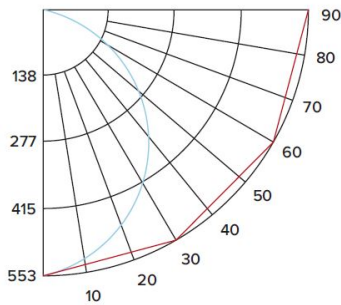
## Product Number Builder Example: EFL15S40WFK

Mini LED Floodlight	Wattage	Size	Color Temp	Mounting Type
<b>EFL</b>	<b>15</b> 15W	<b>S</b> Small	<b>40</b> 4000K <b>50</b> 5000K	<b>WFK</b> Knuckle <b>WFT</b> Trunnion

## Mini LED Floodlight

### PHOTOMETRIC REPORT

Product #: EFL15S40WF  
 Wattage/Lumens: 14.9W/ 1494 Lm  
 Luminaire LPW: 100 Lm/W



### CANDLE POWER SUMMARY

Degrees Vertical	0°
0	551
5	544
15	508
25	445
35	368
45	286
55	205
65	132
75	73
85	21
90	4

### ILLUMINANCE AT A DISTANCE

Distance to Target Plane	Footcandles Beam Center	Beam Diameter
4'	34.4	8.0'
6'	15.3	12.0'
8'	8.61	16.0'
10'	5.51	20.0'

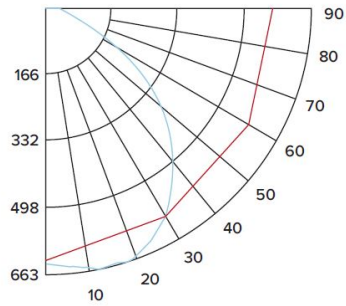
### ZONAL LUMEN SUMMARY

Zone	Lumens	% Luminaire
0-30°	426.92	28.60
0-40°	696.03	46.60
0-60°	1203.26	80.60
0-90°	1484.27	99.40

# Mini LED Floodlight

## PHOTOMETRIC REPORT

Product #: EFL15S50WF  
 Wattage/Lumens: 15.1W/ 1575 Lm  
 Luminaire LPW: 104 Lm/W



## CANDLE POWER SUMMARY

Degrees Vertical	0°
0	635
5	622
15	589
25	515
35	413
45	302
55	209
65	135
75	67
85	22
90	6

## ILLUMINANCE AT A DISTANCE

Distance to Target Plane	Footcandles Beam Center	Beam Diameter
4'	39.7	7.8'
6'	17.6	11.7'
8'	9.92	15.6'
10'	6.35	19.5'

## ZONAL LUMEN SUMMARY

Zone	Lumens	% Luminaire
0-30°	502.22	31.90
0-40°	816.35	51.80
0-60°	1333.72	84.70
0-90°	1574.63	100.00