

# Magnetic Transformers 120V and 277V to 12V or 277V to 120V



## Features

- 20, 50, 250W Magnetic Transformers.
- ETR12, ETR12-20: 120V AC Input to 12V AC Output
- ETR-277, ETR277-20: 277V AC Input to 120V AC Output
- ETR12-277, P75-7: 277V AC Input to 12V AC Output
- UL recognized.

## Specifications

<b>Wattage</b>	20W - 250W
<b>Voltage</b>	120V or 277V

## Options

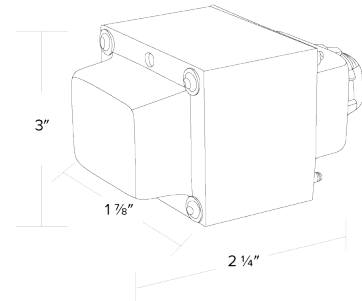


**ETR12**



**ETR12-20**

## Dimensions



## Product Numbers

Item	Description	Watts	Voltage
<b>ETR12</b>	Low Voltage Magnetic Transformer	50W	120V
<b>ETR12-20</b>	Low Voltage Magnetic Transformer	20W	120V
<b>ETR-277</b>	Magnetic Step-Down Transformer	250W	277V
<b>ETR277-20</b>	Magnetic Step-Down Transformer	20W	277V