

Magnetic Transformers 120V and 277V to 12V or 277V to 120V



Features

- 20, 50, 250W Magnetic Transformers.
- ETR12, ETR12-20: 120V AC Input to 12V AC Output
- ETR-277, ETR277-20: 277V AC Input to 120V AC Output
- ETR12-277, P75-7: 277V AC Input to 12V AC Output
- UL recognized.

Specifications

Wattage	250W
Voltage	277V

Options

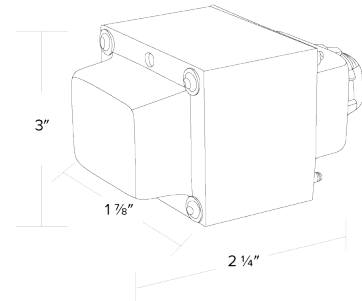


ETR12



ETR12-20

Dimensions



Product Number

Item	Description	Watts	Voltage
ETR-277	Magnetic Step-Down Transformer	250W	277V