

# LED Wall Mount with Photocell

The LED wall mount fixture is designed for safety and security in residential, stairway, storage, and perimeter lighting applications. Features a photocell and a powerful LED array for maximum energy efficiency. For applications requiring 1600 to 2700 lumens.



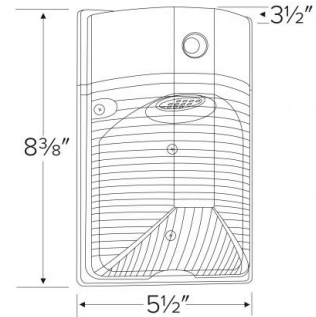
## Features

- Die-cast Aluminum Housing.
- Durable dark bronze coat finish.
- Built in photocell.
- For mounting over electrical box or directly to the wall (surface conduit supply).
- Standard input wattage: 17W (120W incandescent equivalent) or 25W (50W HID equivalent).

## Specifications

<b>Wattage</b>	17W - 25W
<b>Lumens</b>	1900 lm - 2700 lm
<b>Voltage</b>	120/277V
<b>Color Temp.</b>	3000K - 4000K
<b>Lamp Type</b>	LED
<b>CRI</b>	80+
<b>Power Factor</b>	> 0.9
<b>Wet Location</b>	Listed

## Dimensions



## Technical Details

**Lamp:** Array LED, CRI 80+

**Optics:** Shatterproof polycarbonate

**Construction:** Die-cast aluminum housing. Impact, corrosion, and UV resistant.

**Installation:** 3/4" side and back knockouts for surface conduit supply. Mounts over a junction box or directly to a wall.

**Electrical:** Constant current 120V or 120/277V AC Class 2 Driver with a power factor > 0.9. Ambient operating temperature: -40°F (-40°C) to 113°F (45°C). Standard input wattage: 17W (120W incandescent equivalent) or 25W (50W HID equivalent).

**Listings:** cUL listed for wet location. DLC listed. LM-80 certified. IP65 rated.

**Warranty:** ELCO Lighting warrants products will be free from defects in materials and workmanship for a period of 5 years.

## Product Numbers

Item	Lamp type	Lumens	CCT	Watts	Voltage	Finish
<b>EWM17W30</b>	LED	1900 lm	3000K	17W	120/277V	Dark Bronze
<b>EWM17W40</b>	LED	2000 lm	4000K	17W	120/277V	Dark Bronze
<b>EWM25W30</b>	LED	2600 lm	3000K	25W	120/277V	Dark Bronze
<b>EWM25W40</b>	LED	2700 lm	4000K	25W	120/277V	Dark Bronze

## Product Number Builder Example: EWM17W30

Wall Mount

Wattage

Color Temp.

**EWM**

**17W** 17 Watt  
**25W** 25 Watt

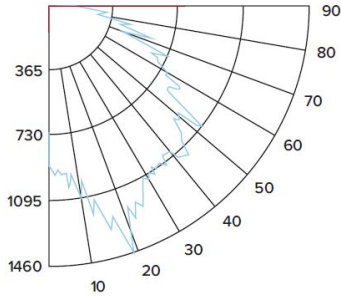
**30** 3000K  
**40** 4000K

# LED Wall Mount with Photocell

Multiplier: 3000K (x 0.96)

## PHOTOMETRIC REPORT

Product #: EWM17W40  
 Wattage/Lumens: 17.1W/ 1642 Lm  
 Luminaire LPW: 96 Lm/W



## CANDLE POWER SUMMARY

Degrees Vertical	0°
0	691
5	879
15	813
25	624
35	554
45	514
55	322
65	90
75	15
85	8
90	5

## ILLUMINANCE AT A DISTANCE

Distance to Target Plane	Footcandles Beam Center	Beam Diameter
4'	43.2	4.2'
6'	19.2	6.3'
8'	10.8	8.4'
10'	6.91	10.6'

## ZONAL LUMEN SUMMARY

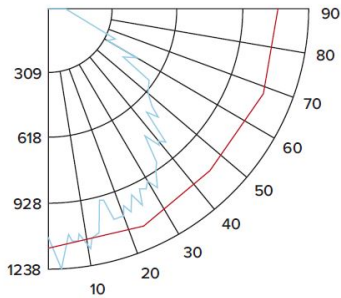
Zone	Lumens	% Luminaire
0-30°	439.51	26.80
0-40°	711.18	43.30
0-60°	1273.7	77.60
0-90°	1598.81	97.40

# LED Wall Mount with Photocell

Multiplier: 4000K (x 1.04)

## PHOTOMETRIC REPORT

Product #: EWM25W30  
 Wattage/Lumens: 25.1W/ 2035 Lm  
 Luminaire LPW: 81 Lm/W



## CANDLE POWER SUMMARY

Degrees Vertical	0°
0	1080
5	1048
15	907
25	735
35	758
45	645
55	453
65	252
75	50
85	11
90	9

## ILLUMINANCE AT A DISTANCE

Distance to Target Plane	Footcandles Beam Center	Beam Diameter
4'	67.5	8.0'
6'	30.0	12.1'
8'	16.9	16.1'
10'	10.8	20.1'

## ZONAL LUMEN SUMMARY

Zone	Lumens	% Luminaire
0-30°	714.43	35.10
0-40°	1105.54	54.30
0-60°	1758.7	86.40
0-90°	1989.38	97.70