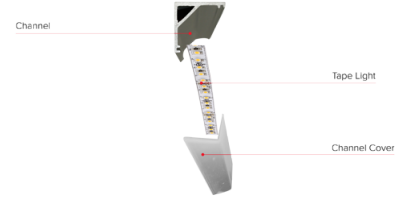


LED Tape with Square Corner Mount Aluminum Channel

LED Tape with Aluminum channels allows customers to custom order their tape light with aluminum channel for factory cut tape and channels ready to be installed.



Features

- Dimmable with ELCO dimmable drivers
- 3M Tape backing for easy installation (tape is shipped separately from alum channel for in field installation)
- Available in custom cuts
- Include polycarbonate diffuser with 2 end caps and mounting clips
- Silver aluminum finish
- Fits tape lights up to 9mm (3/8") max

Technical Details

Construction: Specification grade LED Tape light with premium 3M tape backing for architectural applications. Available in custom cuts and set rolls sizes. Custom cuts are factory cut and packaged for hassle free projects. Premium grade aluminum channels. Can hold tape up to 9mm (3/8") wide.

Optics: Included frosted lens which eliminates LED pixilation and protects the LED strip. Lens can be popped on or slid onto the profile.

Installation: Can be surface mounted to flat surface. LED tape is placed into channel using 3M tape backing on LED Tape Light. Lens can be either popped or slid onto channel.

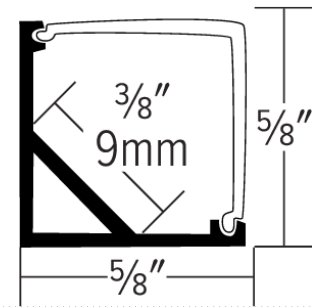
LED Technology:

- Extremely accurate color rendering with 93+CRI
- Lumen Maintenance of 50,000 hours L70 Life based on LM80 standardized test results
- Available in various CCT options. For additional options please consult factory.

Dimmability: Dimmable with compatible 24V DC dimmable drivers

Listings: cUL Listed. RoHS Compliant. ENERGY STAR® Certified. California Title 24 JA8-2016- E.

Dimensions



Product Numbers

Product Number Builder Example:

Square Corner Alum Channel	Length	-	LED Tape	Input Volt	Color Temp.	Length
EUD34		-				
	-8 8 Foot	-	E15 1.5W/ft. Indoor	-24 24V	27 2700K	-CC Specify Length
	-CC Custom, Specify Length		E30 3W/ft. Indoor		30 3000K	-16 16 ft. Reel
			E60 6W High Efficiency Indoor		35 3500K	-100 100 ft. Reel
			EF26 1.8W/ft. Super Flexible		40 4000K	