

Incandescent Brick Light with Open Faceplate



Features

- Diecast aluminum housing with diffused glass lens.
- Lamp: 40W T10 (not included).
- Hole Cutout: 8 3/4"W x 3 1/4"H.
- cUL listed for wet location and for poured concrete.

Specifications

Wattage	40W
Voltage	120V
Lamp Type	Medium Base (E26)
Wet Location	Listed

Options

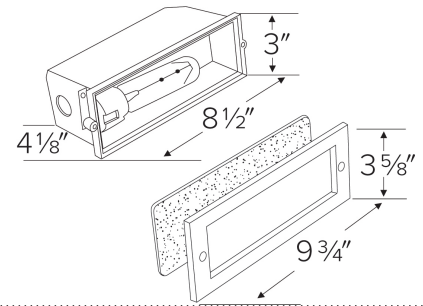


White

Black

Bronze

Dimensions



Product Numbers

Item	Lamp type	Watts	Voltage	Finish
ELST32B	Medium Base (E26)	40W	120V	All Black
ELST32BZ	Medium Base (E26)	40W	120V	All Bronze
ELST32W	Medium Base (E26)	40W	120V	All White