

Electronic Transformer



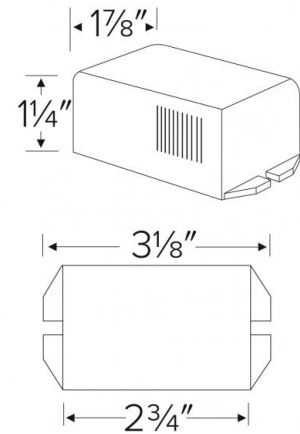
Features

- Electronic Transformer.
- Input: AC 120V.
- Output: 12V/50VA/60Hz.
- UL recognized.

Specifications

Voltage 120V - 12V

Dimensions



Product Numbers

Item	Voltage
ETR50	120V - 12V