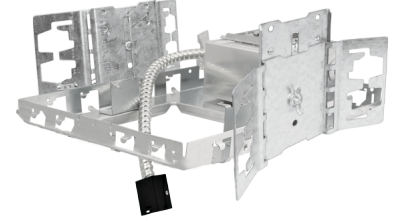


Birch™ 4" Square New Construction Architectural Frame



Features

- Encased Quick Connect for easy module installation and maintenance
- Optional 90 minutes Emergency Battery Backup
- Hanger bars required (sold separately)

Technical Details

Construction: Constructed from 16 gauge galvanized steel for large architectural applications

Installation: Designed for commercial architectural buildings. Easily installed with hanger bars (sold separately). Light engine installed into frame

Junction Box: Positioned to accommodate straight conduit runs. 1/2" trade size conduit knockouts and pry-out knockout slots for easy romex installation

Hanger Bars: Hanger bars sold separately as FB27 - Set of two 27" hanger bars for wood construction or CH26 - Set of two 26" C-Channel hanger bars for T-Bar Ceiling

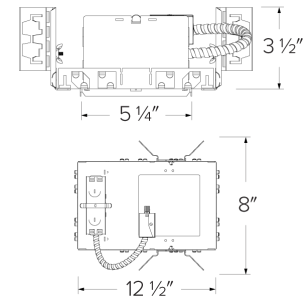
Warranty: ELCO Products are built to last. 5-year Limited warranty

Options



Optional Battery Backup

Dimensions



Product Number

Item	Description
ELB44SQEH	Square New Construction Architectural Frame

Product Number Builder Example: ELB44SQEH

Birch™ 4" Square New Construction Frame

Optional

ELB44SQEH

No Battery Backup
-EM5 Emergency Battery Backup

Compatible Products

For use with 4" Birch Square Frames

Birch™ LED Modules



Birch™ Pro LED Module with 5-CCT Switch (750 lm - 1500 lm)

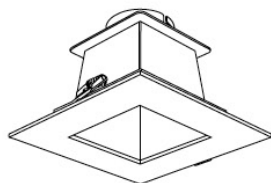
CAT NO.	COLOR TEMPERATURE	SPECIFICATIONS
ELB15RCT5ICA	5-CCT Switch 2700K, 3000K, 3500K, 4000K, 5000K	<ul style="list-style-type: none"> • IC Rated, for use in IC and Non-IC applications • 750 lm / 1000 lm / 1500 lm (10W / 12W / 20W) • Beam Angle adjustment from 25°-45° • 120/277V input with 0-10V dimming



Birch™ High Lumen LED Module (1250 lm - 3000 lm)

CAT NO.	COLOR TEMPERATURE	SPECIFICATIONS
ELB30R30	3000K	<ul style="list-style-type: none"> • Non-IC, for use in Non-IC applications • 1250 lm / 2000 lm / 3000 lm (13W / 20W / 35W) • Beam Angle adjustment from 22°-50° • 120/277V input with 0-10V dimming
ELB30R35	3500K	
ELB30R40	4000K	

4" Birch™ Twist-On Trims



4" Square Reflector Trim

CAT NO.	SPECIFICATIONS
ELB440W	All White
ELB440H	All Haze
ELB440HW	Haze with White Trim
ELB440BB	All Black