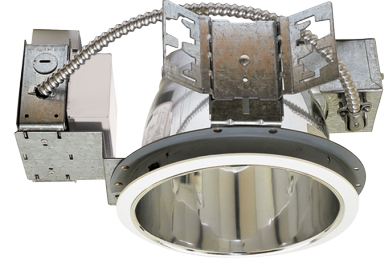


8" Architectural Compact Fluorescent Horizontal Downlight



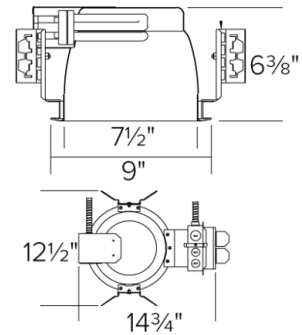
Features

- Fluorescent electronic ballast for (2) 32W or 42W, 4 pin CFL.
- 6 5/8" ht allows use in 2x8 construction.
- Trim support adjusts 3/4" to accommodate different ceiling thicknesses.
- cUL Listed for damp location and for feed through.

Specifications

Wattage	64W - 84W
Voltage	120/277V
Lamp Type	CFL
Damp Location	Listed

Dimensions



Product Numbers

Item	Lamp type	Watts	Voltage
ELH8232E	CFL	64W	120/277V
ELH8242E	CFL	84W	120/277V