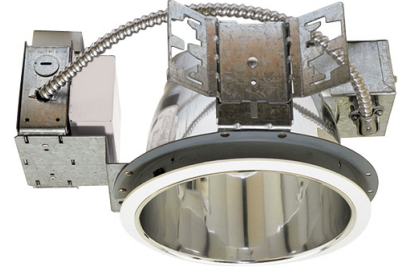


# 8" Architectural CFL Horizontal Downlights



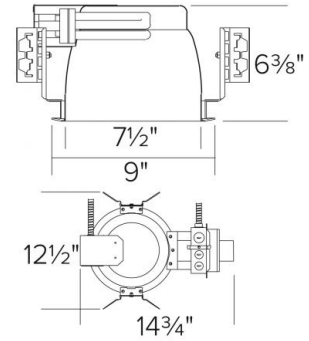
## Features

- Compact Fluorescent Housing for (2) horizontally mounted lamps with integral electronic ballast.
- 6 5/8" ht allows use in 2x8 construction.
- Trim support adjusts 3/4" to accommodate different ceiling thicknesses.
- Hanger bars not included.
- UL Listed for damp location and for Feed Through.

## Specifications

<b>Wattage</b>	52W
<b>Voltage</b>	120/277V
<b>Lamp Type</b>	CFL
<b>Damp Location</b>	Listed

## Dimensions



## Product Number

Item	Description	Lamp type	Watts	Voltage
ELH8226E	8" Architectural CFL Horizontal Downlight	CFL	52W	120/277V