

7" CFL Vertical Downlight with Plaster Frame



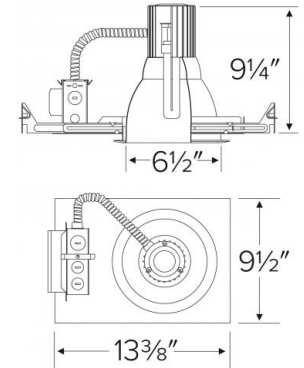
Features

- 7" Vertical Architectural CFL Downlight.
- Energy efficient.
- Single wall construction.
- Integral thermal protector guards against improper lamping.
- Includes 24" captive bar hangers and plaster frame.
- Captive bar hangers span 24" joists and can be repositioned 90°.
- Pre-wired junction box provided with 1/2" and 3/4" knockouts.
- Maximum (8) No. 12 AWG branch circuit conductors (4 in, 4 out).
- Junction box provided with removable access plates.
- Housing adjusts 3/4" to accommodate various ceiling thickness.
- cUL Listed for damp location and for feed through.

Specifications

Wattage	13W - 26W
Voltage	120/277V
Lamp Type	CFL
Damp Location	Listed

Dimensions



Product Numbers

Item	Description	Lamp type	Watts	Voltage
ELVF713E	7" CFL Vertical Downlight with Plaster Frame	CFL	13W	120/277V
ELVF726E	7" CFL Vertical Downlight with Plaster Frame	CFL	26W	120/277V