

6" Super Sloped Ceiling Medium Base Non-IC Remodel Housing

ELCO Slant allows for installation in sloped ceilings ranging from 7/12 (30°) to 12/12 (45°). Fits in 2" x 8" joist construction.



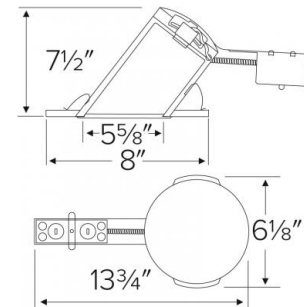
Features

- Non-IC Super Slope Remodel Housing.
- Integral thermal protector guards against improper lamping.
- Designed for use in 7/12 to 12/12 sloped ceiling.
- Socket: Medium base E26.
- Compatible with Medium Base Incandescent, CFL or LED Lamp MAX. 90W. Works with LED Quick-Connect Inserts with PSA30 Socket Adapter.

Specifications

Wattage	MAX. 90W
Voltage	120V
Lamp Type	Medium Base (E26)
Damp Location	Listed

Dimensions



Technical Details

Construction:

- Designed for use in 7/12 to 12/12 sloped ceiling where insulation must be kept 3" away from fixture housing.
- Aluminum housing for greater heat dissipation.

Installation: Designed for ceiling plenums where 2x8 joists or taller are used. See installation sheet for detailed information.

Junction Box: Positioned to accommodate straight conduit runs. Seven 1/2" trade size conduit knockouts and One 3/4" knockout. Four true pry-out knockout slots for easy Romex installation.

Electrical:

- Rated for 120V or 277V input.
- For 277V step down to 120V housing consult factory.

Trims: Compatible with EL602, EL603, EL604, EL606, EL607, EL608.

Listings: cUL Listed for Damp Location.

cUL Listed for Feed Through.

Product Number

Item	Lamp type	Watts	Voltage
EL901RT	Medium Base (E26)	MAX. 90	120V