

6" Super Sloped Ceiling Medium Base Non-IC Remodel Housing

ELCO Slant allows for installation in sloped ceilings ranging from 7/12 (30°) to 12/12 (45°). Fits in 2" x 8" joist construction.



Features

- Non-IC Super Slope Remodel Housing.
- Integral thermal protector guards against improper lamping.
- Designed for use in 7/12 to 12/12 sloped ceiling.
- Socket: Medium base E26.
- Compatible with Medium Base Incandescent, CFL or LED Lamp MAX. 90W. Works with LED Quick-Connect Inserts with PSA30 Socket Adapter.

Technical Details

Construction:

- Designed for use in 7/12 to 12/12 sloped ceiling where insulation must be kept 3" away from fixture housing.
- Aluminum housing for greater heat dissipation.

Installation: Designed for ceiling plenums where 2x8 joists or taller are used. See installation sheet for detailed information.

Junction Box: Positioned to accommodate straight conduit runs. Seven 1/2" trade size conduit knockouts and One 3/4" knockout. Four true pry-out knockout slots for easy Romex installation.

Electrical:

- Rated for 120V or 277V input.
- For 277V step down to 120V housing consult factory.

Trims: Compatible with EL602, EL603, EL604, EL606, EL607, EL608.

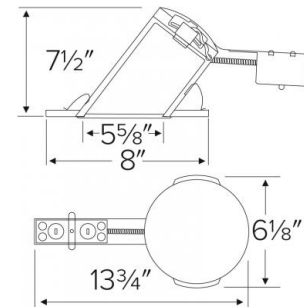
Listings: cUL Listed for Damp Location.

cUL Listed for Feed Through.

Specifications

Wattage	MAX. 90W
Voltage	120V
Lamp Type	Medium Base (E26)
Damp Location	Listed

Dimensions



Product Numbers

Item	Lamp type	Watts	Voltage
EL901RT	Medium Base (E26)	MAX. 90	120V