

6" Sloped Ceiling Medium Base Non-IC New Construction Housing

ELCO Slant allows for installation in sloped ceilings ranging from 2/12 (10°) to 6/12 (26.5°). Fits in 2" x 8" joist construction.



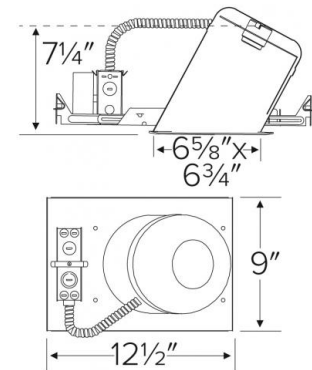
Features

- Non-IC New Construction Slope Ceiling Housing.
- Integral thermal protector guards against improper lamping.
- Designed for use in 2/12 to 6/12 sloped ceiling.
- Socket: Medium base E26.
- Compatible with Medium Base Incandescent, CFL or LED Lamp MAX. 150W. Works with LED Quick-Connect Inserts with PSA30 Socket Adapter.

Specifications

Wattage	150W
Voltage	120V
Lamp Type	Medium Base (E26)
Damp Location	Listed

Dimensions



Technical Details

Construction:

- Designed for use in 2/12 to 6/12 sloped ceiling where insulation is kept 3" away from fixture housing.
- Housing adjusts in frame to accommodate up to 1 1/4" ceiling thickness.
- Aluminum housing for greater heat dissipation. Stamped galvanized steel frame.

Installation: Designed for ceiling plenums where 2x8 joists or taller are used. High strength hanger bars can easily be nailed to joists. Template for hole cutout is provided with each housing. Suitable for T-grid and drop ceiling applications. See installation sheet for detailed information.

Junction Box: Positioned to accommodate straight conduit runs. Seven 1/2" trade size conduit knockouts and four pry-out knockout slots for easy romex installation.

Hanger Bars: Pre-installed hanger bars with True Nail easy installation in regular lumber, engineered lumber, and Laminated Beams. Integral T-bar slots for easy installation in T-Bars. Spans up to 24" and can be repositioned 90°. Score lines allow for tool-free hanger bar size reduction. Integral leveling flange allows for single-person installation while aligning the housings with the joists.

Electrical:

- Rated for 120V or 277V input.
- For 277V step down to 120V housing consult factory.

Trims: Compatible with ELCO Line Voltage Slope Trims.

Listings: UL Listed for Damp Location.

UL Listed for Feed Through.

Product Numbers

Item	Lamp type	Watts	Voltage
EL900HT	Medium Base (E26)	150W	120V



Dimmer Compatibility Chart LED Sloped Ceiling

ELCO Lighting

For Reference Only

Testing conducted by ELCO Lighting is not a substitute for and does not imply certification by an independent laboratory or any other standards certification. Refer to manufacturer specifications for more detailed information on product certifications and standards. Consult the dimmer manufacturer prior to installation to ensure compatibility.

Manufacturer	Product	Part Number	Dimmed Light Output Range
Eaton	Decorator Single Pole/3-Way dimmer	DLC03P	10% - 100%
Leviton	Decora SureSlide® Single Pole Slide-To-Off with Optional Locator Light	6631	10% - 100%
	Decora SureSlide® Single Pole/3-Way with Preset ON/OFF switch and Optional Locator Light	6633	10% - 100%
	Universal Decora Dimmable LED, CFL and Incandescent SureSlide Slide Dimmer	6672	10% - 100%
	Decora SureSlide® Universal Dimmer	6674	10% - 100%
Lutron	Skylark® Contour single pole, incandescent / halogen dimmer	CT-600P	10% - 100%
	Skylark® Contour 3-way, incandescent / halogen "eco-dim" dimmer	CT-603PG	5% - 85%
	Diva® (gloss) single pole, incandescent / halogen, preset dimmer	DV-600P	10% - 100%
	Diva® (gloss) 3-way, incandescent / halogen, preset dimmer	DV-603P	10% - 100%
	Diva® (gloss) C•L single pole/3-way dimmer	DVCL-153P	5% - 86%
	Maestro® C•L single pole/3-way/multi-location dimmer	MACL-153M	10% - 100%
	Skylark® Series Dual Slide-to-Off dimmer	S-2	10% - 100%
	Skylark® single pole, incandescent/halogen, slide-to-off dimmer	S-600	10% - 100%
	Ariadni®/Toggler® Series 150W Single Pole/3-Way dimmer	TGCL-153P	5% - 86%

*NOTE: Refer to dimmer manufacturer's documentation for installation instructions and circuit details

Disclaimer: Minimum and maximum loads for LEDs and CFLs are given in number of lamps and may vary depending on the lamp being used. Testing conducted by ELCO Lighting is not a substitute for and does not imply certification by an independent laboratory or any other standards certification. Refer to manufacturer specifications for more detailed information on product certifications and standards.