

6" Remodel Housing



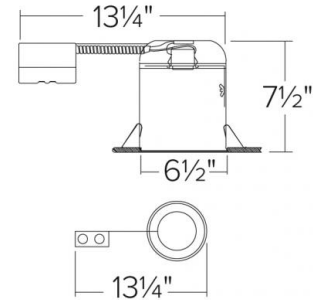
Features

- 6" Remodel Housing.
- Unit slips through 6 3/8" ceiling cut out.
- Integral flange secures fixture against ceiling.
- Four remodel clips secure housing and accommodate various ceiling thickness.
- Integral thermal protector guards against improper lamping.
- Adjustable socket bracket allows for different lamp types/sizes and proper and consistent lamp positioning.
- Pre-wired junction box provided with 1/2" and 3/4" knockouts and with removable access plates.
- Lamp: PAR.
- cUL Listed for damp location and for feed through.

Specifications

Wattage	150W
Voltage	120V
Lamp Type	Medium Base (E26)
Damp Location	Listed

Dimensions



Technical Details

Construction:

- Housing adjusts in frame to accommodate up to 1 1/4" ceiling thickness.
- Aluminum housing for greater heat dissipation.

Installation: Designed for ceiling plenums where 2x8 joists or taller are used. Maximum hole cutout is 6 3/8". See installation sheet for detailed information.

Electrical:

- Input Voltage: 120V AC.
- Thermally protected against improper lamping.

Trims: Compatible with ELCO 6" Line Voltage PAR trims.

Lamp: Designed for use with Medium Base (E26) PAR lamps up to 150W.

Listings:

- cUL Listed for Damp Location.
- cUL Listed for Feed Through.

Warranty: ELCO Lighting warrants products will be free from defects in materials and workmanship for a period of 3 years.

Product Number

Item	Lamp type	Watts	Voltage
RR10H	Medium Base (E26)	150W	120V