

6" LED IC Airtight Super Sloped Ceiling Remodel Housing

ELCO Slant allows for installation in sloped ceilings ranging from 7/12 (30°) to 12/12 (45°). Can be used in insulated ceilings. Fits in 2" x 8" joist construction.



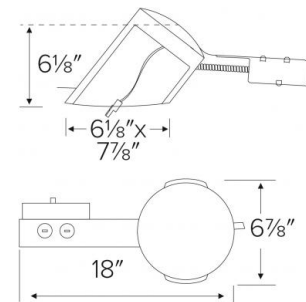
Features

- 6" Super Sloped Remodel Single Wall Housing.
- IC Airtight for use in insulated ceilings.
- Designed for use in 7/12 to 12/12 sloped ceiling.
- California Title 24 (JA8-2016-E).

Specifications

Wattage	24W
Voltage	120V
Damp Location	UL listed

Dimensions



Technical Details

Construction:

- IC Rated for Direct Contact with Insulation.
- Designed for use in 7/12 to 12/12 sloped ceiling.
- Housing adjusts in frame to accommodate up to 1 1/4" ceiling thickness.
- Aluminum housing for greater heat dissipation.

Installation: Designed for ceiling plenums where 2x8 joists or taller are used. Template for hole cutout is provided with each housing. See installation sheet for detailed information.

Junction Box: Positioned to accommodate straight conduit runs. Seven 1/2" trade size conduit knockouts and One 3/4" knockout. Four true pry-out knockout slots for easy Romex installation.

Electrical:

- Connection is rated for 120V or 277V input. LED module must be compatible with applicable voltage.
- For 277V step down to 120V housing consult factory.

Trims: Compatible with EL761, EL762, EL763, EL764 Series LED Inserts.

Listings:

- UL Listed for Damp Location.
- UL Listed for Direct Contact with Insulation and Combustible Material.
- UL Listed for Feed Through.
- AirTight: Per ASTM E-283.
- California Title 24 (JA8-2016-E).

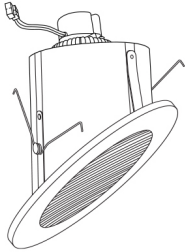
Warranty: ELCO Products are built to last. 5-year Limited warranty.

Product Numbers

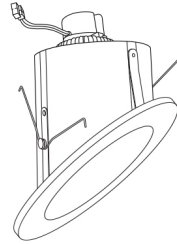
Item	Watts	Voltage
EL971RICA	24W	120V

For use with 6" Dedicated LED Sloped Ceiling IC Housings

6" LED Super Sloped Inserts



6" LED Super Sloped Insert
Baffle Trim



6" LED Super Sloped Insert
Reflector Trim

CAT NO.	COLOR	SPECIFICATIONS
EL76327W	White	15W/1050 lm/2700K
EL76330W	White	15W/1050 lm/3000K
EL76427W	White	18W/1200 lm/2700K
EL76430W	White	18W/1200 lm/3000K
EL76327B	Black w/White	15W/1050 lm/2700K
EL76330B	Black w/White	15W/1050 lm/3000K
EL76427B	Black w/White	18W/1200 lm/2700K
EL76430B	Black w/White	18W/1200 lm/3000K
EL76327BZ	Bronze	15W/1050 lm/2700K
EL76330BZ	Bronze	15W/1050 lm/3000K
EL76427BZ	Bronze	18W/1200 lm/2700K
EL76430BZ	Bronze	18W/1200 lm/3000K

CAT NO.	COLOR	SPECIFICATIONS
EL76127W	White	15W/1050 lm/2700K
EL76130W	White	15W/1050 lm/3000K
EL76227W	White	18W/1200 lm/2700K
EL76230W	White	18W/1200 lm/3000K
EL76127B	Black w/White	15W/1050 lm/2700K
EL76130B	Black w/White	15W/1050 lm/3000K
EL76227B	Black w/White	18W/1200 lm/2700K
EL76230B	Black w/White	18W/1200 lm/3000K
EL76127C	Chrome w/White	15W/1050 lm/2700K
EL76130C	Chrome w/White	15W/1050 lm/3000K
EL76227C	Chrome w/White	18W/1200 lm/2700K
EL76230C	Chrome w/White	18W/1200 lm/3000K