

# 6" Airtight IC Housing



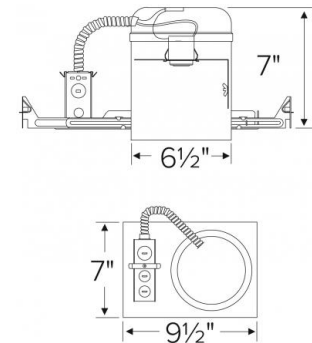
## Features

- 6" Airtight IC Universal Housing for direct contact with ceiling insulation.
- Integral thermal protector guards against improper lamping.
- Adjustable socket bracket allows for different lamp types/sizes and proper and consistent lamp positioning.
- Lamp: PAR
- cUL Listed for damp location and for feed through.

## Specifications

<b>Wattage</b>	90W
<b>Voltage</b>	120V
<b>Lamp Type</b>	Medium Base (E26)
<b>Damp Location</b>	Listed

## Dimensions



## Technical Details

### Construction:

- IC rated for direct contact with insulation, for use in IC or non-IC conditions.
- Housing adjusts in frame to accommodate up to 1 1/4" ceiling thickness.
- Airtight housing with gasket to restrict airflow in accordance with ASTM E-283 air-tight requirements.
- Aluminum housing for greater heat dissipation. Stamped galvanized steel frame.

**Installation:** Designed for ceiling plenums where 2x8 joists or taller are used. High strength hanger bars can easily be nailed to joists. Maximum hole cutout is 6 3/8". Suitable for T-grid and drop ceiling applications. See installation sheet for detailed information.

**Junction Box:** Positioned to accommodate straight conduit runs. Seven 1/2" trade size pryout conduit knockouts, 4 Romex pryouts with strain relief.

**Hanger Bars:** Pre-installed hanger bars with True Nail facilitate easy installation in regular lumber, engineered lumber, and laminated beams. Integral T-bar slots for easy installation in T-grids. Spans up to 24" and can be repositioned 90°. Score lines allow for tool-free hanger bar size reduction. Integral leveling flange allows for single-person installation while aligning the housing with the joists.

### Electrical:

- Input Voltage: 120V AC.
- Thermally protected against improper lamping.

**Trims:** Compatible with ELCO 6" Line Voltage PAR trims.

**Lamp:** Designed for use with Medium Base (E26) PAR lamps up to 90W.

\*90W rating is for the combination of housing & trim model ELM300

### Listings:

- cUL Listed for Damp Location.
- cUL Listed for Feed Through.
- cUL Listed for Direct Contact with Insulation and Combustible Material.
- Airtight per ASTM E-283.
- Install a JA8-2016-E lamp/luminaire for Title 24 Compliance.

## Product Number

Item	Description	Lamp type	Watts	Voltage
<b>EL7ICANB</b>	without Socket Bracket	Medium Base (E26)	90W	120V

**Warranty:** ELCO Lighting warrants products will be free from defects in materials and workmanship for a period of 3 years.

---