

6" Airtight IC Housing



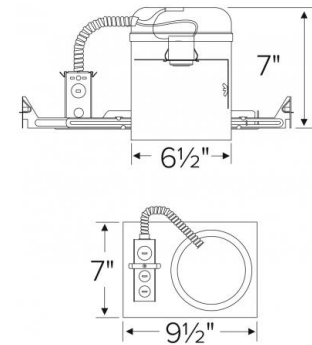
Features

- 6" Airtight IC Universal Housing for direct contact with ceiling insulation.
- Integral thermal protector guards against improper lamping.
- Adjustable socket bracket allows for different lamp types/sizes and proper and consistent lamp positioning.
- Lamp: PAR
- cUL Listed for damp location and for feed through.

Specifications

Wattage	90W
Voltage	120V
Lamp Type	Medium Base (E26)
Damp Location	Listed

Dimensions



Technical Details

Construction:

- IC rated for direct contact with insulation, for use in IC or non-IC conditions.
- Housing adjusts in frame to accommodate up to 1 1/4" ceiling thickness.
- Airtight housing with gasket to restrict airflow in accordance with ASTM E-283 air-tight requirements.
- Aluminum housing for greater heat dissipation. Stamped galvanized steel frame.

Installation: Designed for ceiling plenums where 2x8 joists or taller are used. High strength hanger bars can easily be nailed to joists. Maximum hole cutout is 6 3/8". Suitable for T-grid and drop ceiling applications. See installation sheet for detailed information.

Junction Box: Positioned to accommodate straight conduit runs. Seven 1/2" trade size pryout conduit knockouts, 4 Romex pryouts with strain relief.

Hanger Bars: Pre-installed hanger bars with True Nail facilitate easy installation in regular lumber, engineered lumber, and laminated beams. Integral T-bar slots for easy installation in T-grids. Spans up to 24" and can be repositioned 90°. Score lines allow for tool-free hanger bar size reduction. Integral leveling flange allows for single-person installation while aligning the housing with the joists.

Electrical:

- Input Voltage: 120V AC.
- Thermally protected against improper lamping.

Trims: Compatible with ELCO 6" Line Voltage PAR trims.

Lamp: Designed for use with Medium Base (E26) PAR lamps up to 90W.

*90W rating is for the combination of housing & trim model ELM300

Listings:

- cUL Listed for Damp Location.
- cUL Listed for Feed Through.
- cUL Listed for Direct Contact with Insulation and Combustible Material.
- Airtight per ASTM E-283.
- Install a JA8-2016-E lamp/luminaire for Title 24 Compliance.

Product Numbers

Item	Description	Lamp type	Watts	Voltage
EL71CA	with Socket Bracket	Medium Base (E26)	90W	120V
EL71CANB	without Socket Bracket	Medium Base (E26)	90W	120V

Warranty: ELCO Lighting warrants products will be free from defects in materials and workmanship for a period of 3 years.
