

5" Sloped Ceiling IC Airtight New Construction Housing

ELCO Slant allows for installation in sloped ceilings ranging from 2/12 (10°) to 6/12 (26.5°). Can be used in insulated ceilings. Fits in 2" x 8" joist construction.



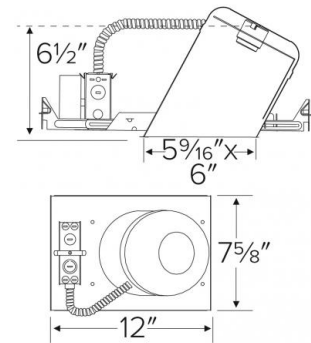
Features

- Airtight Slope IC New Construction Housing.
- Single wall aluminum construction for use in insulated ceilings.
- Designed for use in 2/12 to 6/12 sloped ceiling.
- Thermal Protector guards against improper lamping.
- Lamps: Medium Base Incandescent, CFL or LED.
- cUL Listed for damp location and for feed through.

Specifications

| | |
|----------------------|-------------------------------|
| Wattage | 75W |
| Voltage | 120V |
| Lamp Type | Medium Base (E26) |
| Wet Location | Listed with Wet Location Trim |
| Damp Location | Listed |

Dimensions



Technical Details

Construction:

- IC Rated for Direct Contact with Insulation.
- Designed for use in 2/12 to 6/12 sloped ceiling.
- Housing adjusts in frame to accommodate up to 1 1/4" ceiling thickness.
- Aluminum housing for greater heat dissipation. Stamped galvanized steel frame.

Installation: Designed for ceiling plenums where 2x8 joists or taller are used. High strength hanger bars can easily be nailed to joists. Template for hole cutout is provided with each housing. Suitable for T-grid and drop ceiling applications. See installation sheet for detailed information.

Junction Box: Positioned to accommodate straight conduit runs. Seven 1/2" trade size conduit knockouts and four pry-out knockout slots for easy romex installation.

Hanger Bars: Pre-installed hanger bars with True Nail easy installation in regular lumber, engineered lumber, and Laminated Beams. Integral T-bar slots for easy installation in T-Bars. Spans up to 24" and can be repositioned 90°. Score lines allow for tool-free hanger bar size reduction. Integral leveling flange allows for single-person installation while aligning the housings with the joists.

Electrical:

- Rated for 120V or 277V input.
- For 277V step down to 120V housing consult factory.

Trims: Compatible with ELCO 5" Line Voltage Slope PAR trims.

Lamp: Designed for use with Medium Base (E26) PAR lamps up to 75W.

Listings:

- cUL Listed for Damp Location.
- cUL Listed for Direct Contact with Insulation and Combustible Material.
- cUL Listed for Feed Through.
- AirTight: Per ASTM E-283.

Product Number

| Item | Lamp type | Watts | Voltage |
|----------|-------------------|-------|---------|
| EL518ICA | Medium Base (E26) | 75W | 120V |



Dimmer Compatibility Chart LED Sloped Ceiling

ELCO Lighting

For Reference Only

Testing conducted by ELCO Lighting is not a substitute for and does not imply certification by an independent laboratory or any other standards certification. Refer to manufacturer specifications for more detailed information on product certifications and standards. Consult the dimmer manufacturer prior to installation to ensure compatibility.

| Manufacturer | Product | Part Number | Dimmed Light Output Range |
|--------------|--|-------------|---------------------------|
| Eaton | Decorator Single Pole/3-Way dimmer | DLC03P | 10% - 100% |
| Leviton | Decora SureSlide® Single Pole Slide-To-Off with Optional Locator Light | 6631 | 10% - 100% |
| | Decora SureSlide® Single Pole/3-Way with Preset ON/OFF switch and Optional Locator Light | 6633 | 10% - 100% |
| | Universal Decora Dimmable LED, CFL and Incandescent SureSlide Slide Dimmer | 6672 | 10% - 100% |
| | Decora SureSlide® Universal Dimmer | 6674 | 10% - 100% |
| Lutron | Skylark® Contour single pole, incandescent / halogen dimmer | CT-600P | 10% - 100% |
| | Skylark® Contour 3-way, incandescent / halogen "eco-dim" dimmer | CT-603PG | 5% - 85% |
| | Diva® (gloss) single pole, incandescent / halogen, preset dimmer | DV-600P | 10% - 100% |
| | Diva® (gloss) 3-way, incandescent / halogen, preset dimmer | DV-603P | 10% - 100% |
| | Diva® (gloss) C•L single pole/3-way dimmer | DVCL-153P | 5% - 86% |
| | Maestro® C•L single pole/3-way/multi-location dimmer | MA CL-153M | 10% - 100% |
| | Skylark® Series Dual Slide-to-Off dimmer | S-2 | 10% - 100% |
| | Skylark® single pole, incandescent/halogen, slide-to-off dimmer | S-600 | 10% - 100% |
| | Ariadni®/Toggler® Series 150W Single Pole/3-Way dimmer | TGCL-153P | 5% - 86% |

*NOTE: Refer to dimmer manufacturer's documentation for installation instructions and circuit details

Disclaimer: Minimum and maximum loads for LEDs and CFLs are given in number of lamps and may vary depending on the lamp being used. Testing conducted by ELCO Lighting is not a substitute for and does not imply certification by an independent laboratory or any other standards certification. Refer to manufacturer specifications for more detailed information on product certifications and standards.