

# 4" Square LED Module & Driver with Adjustable Trim

The perfect lighting solution for high-end residential projects with existing housings.



## Features

- Module includes LED Module Driver.
- Triac/ELV dimming.
- Can be used in dedicated LED housings from ELCO or used to retrofit medium base (E26) housings.
- Life span of 50,000 hours L70.
- USA designed and assembled.
- Limited 5 year warranty.

## Specifications

|                     |                 |
|---------------------|-----------------|
| <b>Wattage</b>      | 8.76W           |
| <b>Lumens</b>       | 850 lm          |
| <b>Voltage</b>      | 1 or 120V       |
| <b>Color Temp.</b>  | 2700K - SunsetK |
| <b>Dimmable</b>     | Triac/ELV       |
| <b>Lamp Type</b>    | LED             |
| <b>Beam Angle</b>   | 60° - 60°       |
| <b>CRI</b>          | 93+             |
| <b>Wet Location</b> | Listed          |

## Options



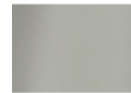
All White



All Black



All Bronze



All Chrome

## Technical Details

**Optics:** Frosted polycarbonate module lens diffuses light evenly throughout while reducing glare with LED technology.

**Trim Construction:** Reflector is two piece trim for maximum color versatility. Design allows for minimal glare and a strong glare cut-off. Trim is constructed of metal for lasting durability.

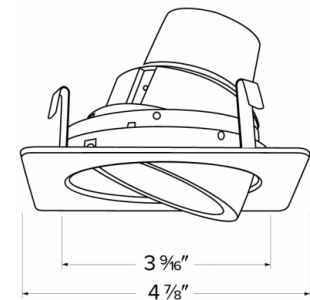
### LED Technology:

- Extremely accurate Color Rendering Index of 93+.
- Efficacy of 97 lumens per watt.
- Lumen Maintenance of 50,000 hours L70 Life based on LM80 standardized test results.
- Superior Thermal Management by utilizing ELCO Red heat sink.
- Instant On to Full Brightness technology.
- No LED pixilation.

### Listings:

- UL Listed for Wet Location.
- RoHS Compliant.
- ENERGY STAR® Certified.
- California Title 24 (JA8-2016-E).

## Dimensions



## Product Numbers

| Item  | Lamp type | Lumens | CCT   | Watts | Voltage | Dimming   | Beam Angle |
|---|-----------|--------|-------|-------|---------|-----------|------------|
| E428R0827W,<br>E428R0827BB,<br>E428R0827BZ,<br>E428R0827C | LED       | 850 lm | 2700K | 8.76W | 120V    | Triac/ELV | 60°        |
| E428R0830W,<br>E428R0830BB,<br>E428R0830BZ,<br>E428R0830C | LED       | 850 lm | 3000K | 8.76W | 120V    | Triac/ELV | 60°        |

| Item  | Lamp type | Lumens | CCT     | Watts | Voltage | Dimming   | Beam Angle |
|---|-----------|--------|---------|-------|---------|-----------|------------|
| <b>E428R0835W,<br/>E428R0835BB,<br/>E428R0835BZ,<br/>E428R0835C</b>     | LED       | 850 lm | 3500K   | 8.76W | 120V    | Triac/ELV | 60°        |
| <b>E428R0840W,<br/>E428R0840BB,<br/>E428R0840BZ,<br/>E428R0840C</b>     | LED       | 850 lm | 4000K   | 8.76W | 120V    | Triac/ELV | 60°        |
| <b>E428R0850W,<br/>E428R0850BB,<br/>E428R0850BZ,<br/>E428R0850C</b>     | LED       | 850 lm | 5000K   | 8.76W | 1       | Triac/ELV | 60°        |
| <b>E428R0850DW,<br/>E428R0850DBB,<br/>E428R0850DBZ,<br/>E428R0850DC</b> | LED       | 850 lm | SunsetK | 8.76W | 120V    | Triac/ELV | 60°        |

# Product Number Builder

Example: **E428R0827W**, **E428R0827BB**, **E428R0827BZ**, **E428R0827C**

ELCO 4" Square Adjustable

**E428R**

Lumens

**08** 850 lm

Color Temp.

**27** 2700K  
**30** 3000K  
**35** 3500K  
**4** 4000K  
**50** 5000K  
**SD** Sunset

Finish

**W** All White  
**BB** All Black  
**BZ** All Bronze  
**C** All Chrome