

4" Remodel IC Housing

4" remodel housing with a magnetic or electronic transformer. Uses a G5.3 Bi-Pin socket for use with Bi-Pin LED MR16 lamps.



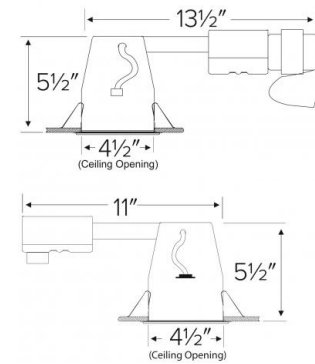
Features

- Single wall IC remodel construction, for use in insulated or non-insulated ceilings.
- Flicker Free LED Dimming.
- Lamp: 12V, MR16 GU/GX5.3 bi-pin LED (not included).
- Lamp Holder: MR16 GU/GX5.3 bi-pin socket.
- Trims sold separately.

Specifications

Wattage	12W
Voltage	120V
Lamp Type	G5.3 BiPin
Wet Location	Listed with wet location trims
Damp Location	Listed

Dimensions



Technical Details

Construction:

- Remodel IC airtight housing rated for direct contact with insulation, for use in IC or non-IC conditions.
- Housing adjusts in frame to accommodate up to 1 1/4" ceiling thickness.
- Airtight housing with gasket to restrict airflow in accordance with ASTM E-283 air-tight requirements.
- Steel housing for greater heat dissipation.

Installation: Designed for ceiling plenums where 2x6 joists or taller joists are used. Maximum hole cutout is 4 1/4". Suitable for T-grid and drop ceiling applications. See installation sheet for detailed information.

Electrical:

- Input Voltage: 120V AC.
- Output Voltage: 12V AC.
- Magnetic or electronic transformer available.
- Thermally protected against improper lamping.

Trims: Compatible with ELCO 4" MR16 trims.

Dimmability:

- Magnetic transformer dims with MLV type dimmers.
- Electronic transformer dims with ELV type dimmers.
- Dimmability based on lamp.

Lamp: Designed for use with GU5.3 MR16 LED lamps.

Listings:

- cUL Listed for Damp Location.
- cUL Listed for Wet Location with select trims.
- cUL Listed for Feed Through.
- cUL Listed for Direct Contact with Insulation and Combustible Material.
- Airtight per ASTM E-283.
- Install a JA8-2016-E lamp/luminaire for Title 24 Compliance.

Warranty: ELCO Lighting warrants products will be free from defects in materials and workmanship for a period of 3 years.

Product Numbers

Item	Description	Lamp type	Watts	Voltage
EL1499LDRICA	Magnetic Transformer	G5.3 BiPin	12W	120V
E1499LDRICEA	Electronic Transformer	G5.3 BiPin	12W	120V



ELCO Lighting

Dimmer Compatibility Chart

For Alpine™ System Housings

EL1499LDICEA, EL2699LDICEA, E1499LDRICEA, E2699LDRICEA

For Reference Only

Testing conducted by ELCO Lighting is not a substitute for and does not imply certification by an independent laboratory or any other standards certification. Refer to manufacturer specifications for more detailed information on product certifications and standards. Consult the dimmer manufacturer prior to installation to ensure compatibility.

Manufacturer	Product	Part Number	Dimmed Light Output Range
Leviton	Vizia Model, 120V AC 60Hz, 600W Electronic Low Voltage Load Type, Single Pole, 3-Way, 4-Way, Commercial/Residential	VPE06	10% - 100%
Lutron	Diva Model, 120V AC 60Hz, 600W Incandescent/Halogen Load Type, Single Pole, 3-Way, Commercial/Residential	DV-600P	10% - 100%
	Nova Model, 120V AC 60Hz, 1000W Incandescent/Halogen Load Type, Single Pole, 3-Way, Commercial/Residential	NT-1000	10% - 100%
Best Performance	Diva Model, 120V AC 60Hz, 300W Electronic Low Voltage Load Type, Single Pole, 3-Way, Commercial/Residential	DVELV-300P	10% - 100%
Best Performance	Nova Model, 120V AC 60Hz, 450W Electronic Low Voltage Load Type, Single Pole, 3-Way	NELV-450	10% - 100%

***NOTE: Refer to dimmer manufacturer’s documentation for installation instructions and circuit details**

Disclaimer: Minimum and maximum loads for LEDs and CFLs are given in number of lamps and may vary depending on the lamp being used. Testing conducted by ELCO Lighting is not a substitute for and does not imply certification by an independent laboratory or any other standards certification. Refer to manufacturer specifications for more detailed information on product certifications and standards.

Integrating our lighting with your Smart Home System is a breeze. Simply check your Smart Home system for compatible smart switches and cross reference that with our Dimming Compatibility Chart. Once the switches are integrated with your Smart Home system your lights will be ready to go.



2042 E. Vernon Ave. Vernon CA 90058 Tel 323.231.2600 Fax 323.231.3200 elcolighting.com