

4" Low Voltage Airtight Universal Housing



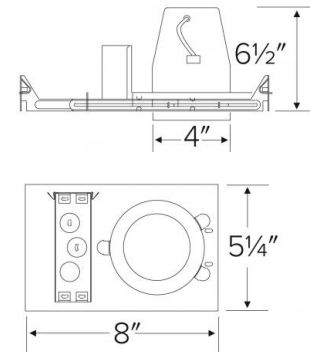
Features

- Single wall airtight construction.
- Trims sold separately.
- Lamp: 75W MAX 12V MR16 GU/GX5.3 bi-pin Halogen (not included).
- Lamp Holder: MR16 GU/GX5.3 bi-pin socket.
- Note: Use only dimmers specifically designed for use with magnetic low voltage transformer.

Specifications

Wattage	75W
Voltage	120V
Dimmable	MLV
Lamp Type	GU5.3 BiPin
Damp Location	Listed

Dimensions



Technical Details

Construction:

- Single wall new construction.
- Housing adjusts in frame to accommodate up to 1 1/4" ceiling thickness.
- Airtight housing with gasket to restrict airflow in accordance with ASTM E-283 air-tight requirements.
- Steel housing for greater heat dissipation. Stamped galvanized steel frame.

Installation: Designed for ceiling plenums where 2x8 joists or taller joists are used. High strength hanger bars can easily be nailed to joists. Maximum hole cutout is 4 1/4". Suitable for T-grid and drop ceiling applications. See installation sheet for detailed information.

Junction Box: Positioned to accommodate straight conduit runs. Seven 1/2" trade size conduit knockouts, four 3/4" knockouts with pry-out knockout slots. 4 Romex pryouts with strain relief.

Hanger Bars: Pre-installed hanger bars with True Nail facilitate easy installation in regular lumber, engineered lumber, and laminated beams. Integral T-bar slots for easy installation in T-bars. Spans up to 24" and can be repositioned 90°. Score lines allow for tool-free hanger bar size reduction. Integral leveling flange allows for single-person installation while aligning the housings with the joists.

Electrical:

- Input Voltage: 120V AC.
- Output Voltage: 12V AC.
- Thermally protected against improper lamping.

Trims: Compatible with ELCO 4" MR16 trims.

Dimmability:

- Magnetic transformer dims with MLV type dimmers.
- See dimming compatibility list for a full list of compatible dimmers.
- Note: Lamp used may affect dimmability.

Lamp: Designed for use with GU5.3 MR16 Halogen lamps.

Listings: UL Listed for Damp Location. UL Listed for Wet Location with select trims. UL Listed for Feed Through. Airtight per ASTM E-283.

Product Numbers

Item	Lamp type	Watts	Voltage	Dimming
EL1499-75A	GU5.3 BiPin	75W	120V	MLV

Warranty: ELCO Lighting warrants products will be free from defects in materials and workmanship for a period of 3 years.



ELCO Lighting

Dimmer Compatibility Chart Low Voltage System

For Reference Only

Testing conducted by ELCO Lighting is not a substitute for and does not imply certification by an independent laboratory or any other standards certification. Refer to manufacturer specifications for more detailed information on product certifications and standards. Consult the dimmer manufacturer prior to installation to ensure compatibility.

Manufacturer	Product	Part Number	Dimmed Light Output Range
Lutron	Diva (gloss) 450W, single pole, magnetic low voltage dimmer	DVLV-600P	10% - 100%
	Maestro (gloss) 600W, single pole or multi-location, incandescent/halogen dimmer	MA-600	10% - 100%
	Maestro (gloss) 120V, 600W, single pole/multi-location, electronic low voltage dimmer	MAELV-600	10% - 100%
	Maestro 120V, 450W, single pole or multi-location, magnetic low voltage dimmer	MALV-600	10% - 100%

*NOTE: Refer to dimmer manufacturer’s documentation for installation instructions and circuit details

Disclaimer: Minimum and maximum loads for LEDs and CFLs are given in number of lamps and may vary depending on the lamp being used. Testing conducted by ELCO Lighting is not a substitute for and does not imply certification by an independent laboratory or any other standards certification. Refer to manufacturer specifications for more detailed information on product certifications and standards.